

Installation Instructions



Ventvisor® Deflector

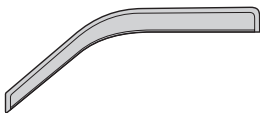
Important Safety Information



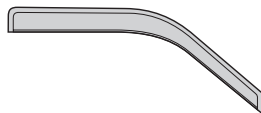
- CAUTION - Before driving, ensure that the vent visors are properly secured to vehicle.
- Do not use automatic “brush-style” car washes.
- Do not use cleaning solvents of any kind.
- Periodically check all components for tightness.
- When using Surface Prep, avoid contact with skin. Use in well ventilated area. If contact is made with material, flush area with large amounts of water. If irritation persists, get immediate medical attention. USE PREP ON RUBBER ONLY

Contents - 2 Piece Set

NOTE: Actual product may vary from illustration.



Front Driver Side Visor



Front Passenger Side Visor

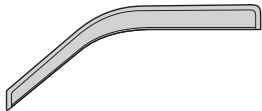


Alcohol Pad x2

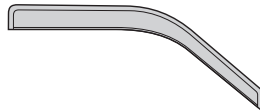


Surface Prep

Contents - 4 Piece Set



Front Driver Side Visor



Front Passenger Side Visor



Rear Driver Side Visor



Rear Passenger Side Visor



Alcohol Pad x4

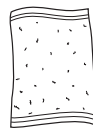


Surface Prep

Tools Required



Car Wash Supplies



Clean Towel

Preparation Before Painting / Installation

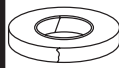
- A trial fit is recommended to ensure proper positioning and fit.
- Check fit of parts before painting as we will not accept the return of modified or painted parts.
- Wash your vehicle to remove any debris and/or dirt.
- Dry with a clean towel.

Installation Steps

NOTE: Actual application may vary slightly from illustrations.

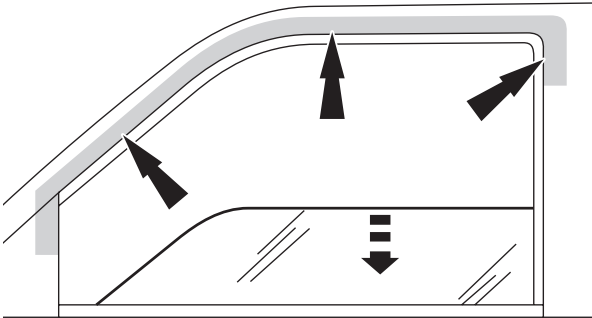
Alcohol Pad

Clean painted door frame and mirror cap.

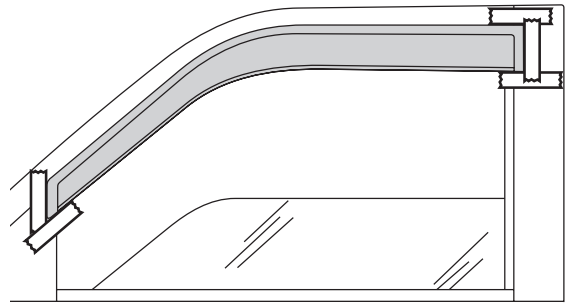


Hold visor in place and mark front and rear flange locations with masking tape.

1



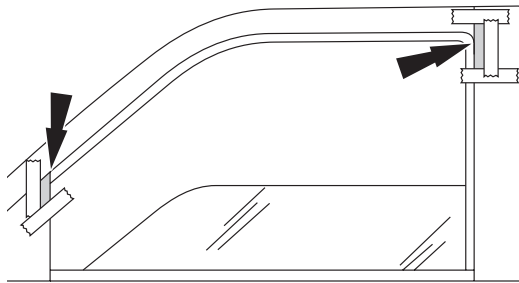
2



Apply surface prep to shaded areas.
DO NOT APPLY TO PAINT.
(Perform task for both sides of vehicle)

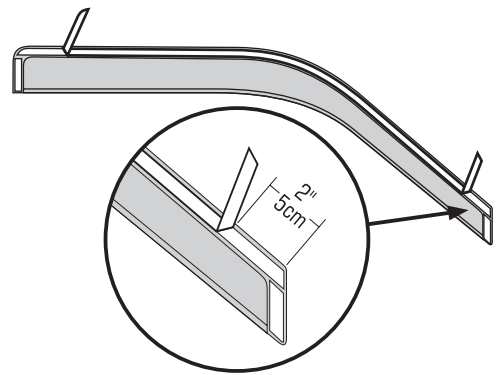
Remove tape liner from front & rear flanges. Peel back 2" (5 cm) of tape liner from each end of top flange.

3



CAUTION: Read surface prep warning on page 1 before continuing.

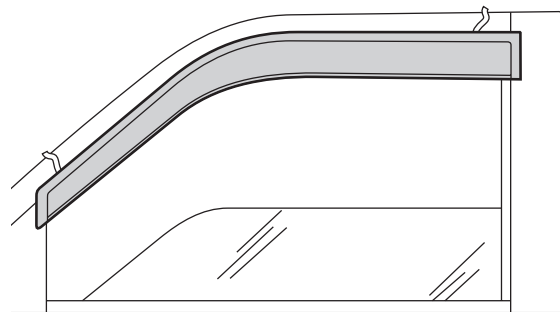
4



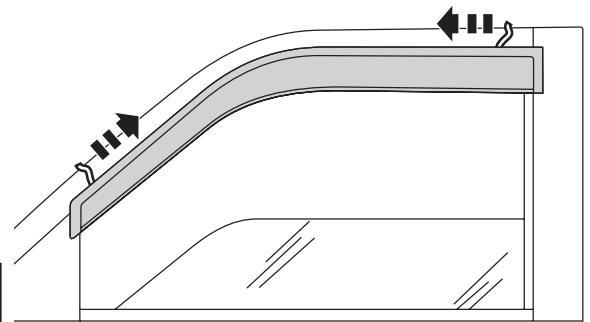
Attach visor to door. Front flange attaches to outside of mirror cap, top flange to painted surface, and rear flange to door post.

Remove tape liner.

5



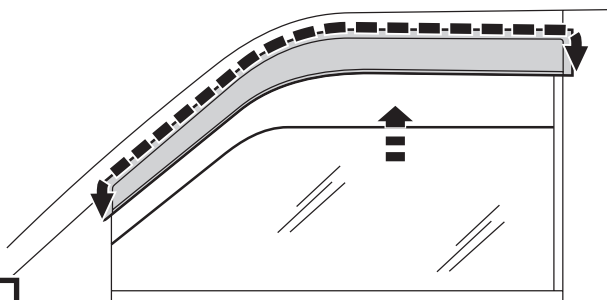
6



Apply pressure to tape flanges to secure.

Repeat **Steps 1-7** for passenger side front visor.

7



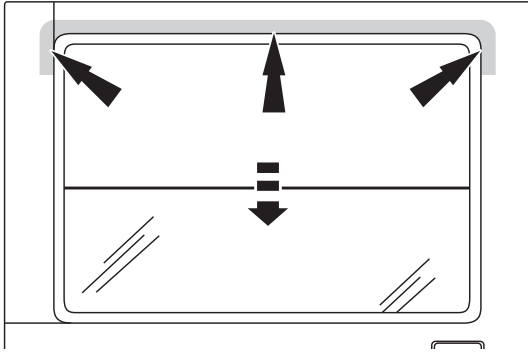
Installation Steps

NOTE: Actual application may vary slightly from illustrations.

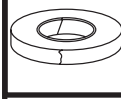
4 Piece Set



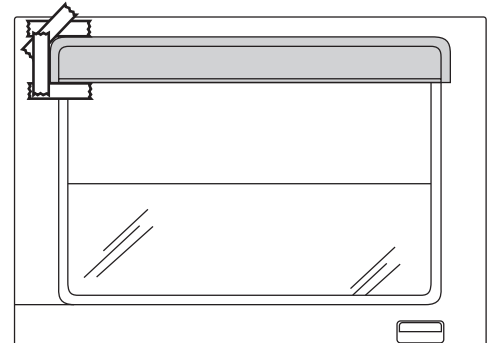
Clean painted door frame and door post.



8



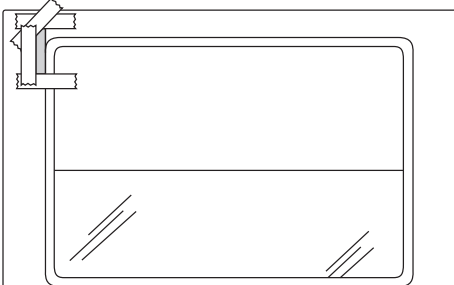
Hold visor in place and mark front flange locations with masking tape.



9



Apply surface prep to shaded areas.
DO NOT APPLY TO PAINT.
(Perform task for both sides of vehicle)



10

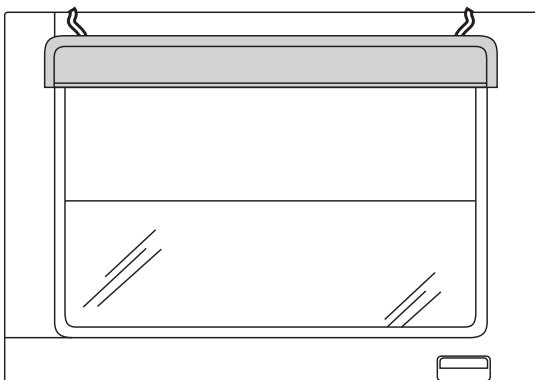
CAUTION: Read surface prep warning on page 1 before continuing.

Remove tape liner from front & rear flanges. Peel back 2" (5 cm) of tape liner from each end of top flange.



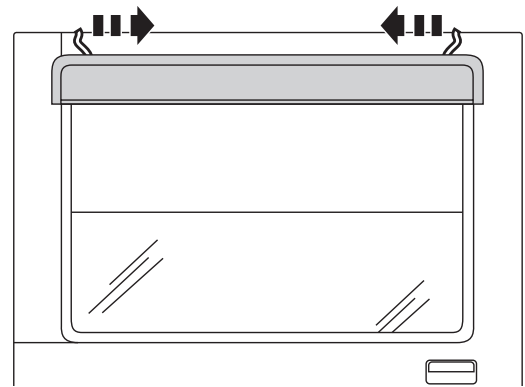
11

Attach visor to door. Front flange attaches to door post, top & rear flanges to painted surface.



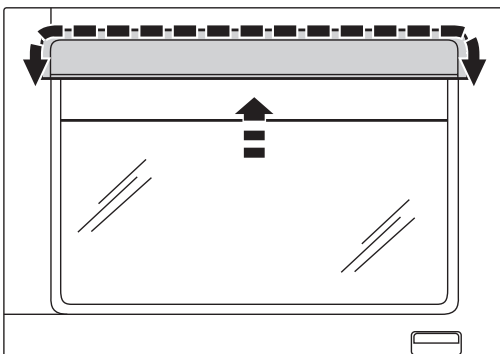
12

Remove tape liner.



13

Apply pressure to tape flanges to secure.



14

Repeat **Steps 8-14** for passenger side rear visor.

Care and Cleaning

- Wash only with mild soap & dry with a clean cloth.

Congratulations!

You have purchased one of the many quality Auto Ventshade™ branded products offered by Lund International, Inc. We take the utmost pride in our products and want you to enjoy years of satisfaction from your investment. We have made every effort to ensure that your product is top quality in terms of fit, durability, finish and ease of installation.

