

# Installation Instructions



AUTO VENTSHADE™

## Ventvisor® Deflector

### Important Safety Information



- CAUTION - Before driving, ensure that the vent visors are properly secured to vehicle.
- Do not use automatic “brush-style” car washes.
- Do not use cleaning solvents of any kind.
- Periodically check all components for tightness.
- When using Surface Prep, avoid contact with skin. Use in well ventilated area. If contact is made with material, flush area with large amounts of water. If irritation persists, get immediate medical attention. USE PREP ON RUBBER ONLY

### Contents - 2 Piece Set **NOTE:** Actual product may vary from illustration.



Front Driver Side Visor



Front Passenger Side Visor



Scotch Brite Pad



Alcohol Pad x2



Surface Prep x1

### Contents - 4 Piece Set



Front Driver Side Visor



Front Passenger Side Visor



Rear Driver Side Visor



Rear Passenger Side Visor



Scotch Brite Pad



Alcohol Pad x2



Surface Prep x2

### Tools Required



Car Wash Supplies



Clean Towel

### Preparation Before Painting / Installation

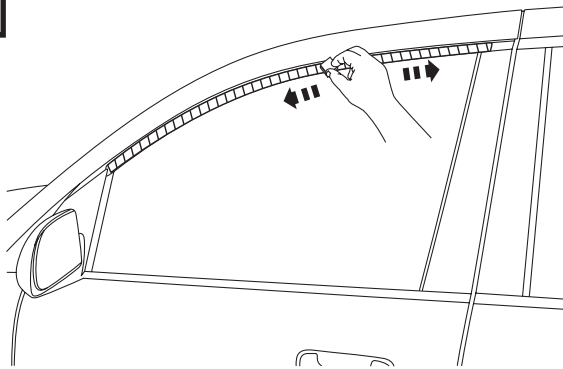
- A trial fit is recommended to ensure proper positioning and fit.
- Check fit of parts before painting as we will not accept the return of modified or painted parts.
- Wash and dry your vehicle to remove any debris and/or dirt from the installation area.

# Installation Steps

**NOTE:** Actual application may vary slightly from illustrations.



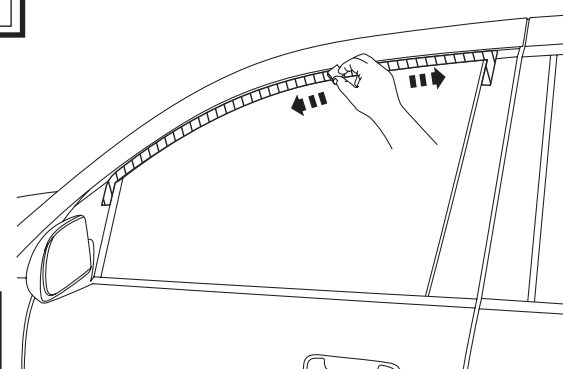
Scuff rubber mounting surface.



1



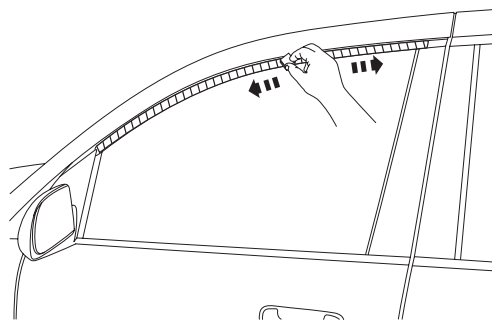
Clean mounting surface.



2



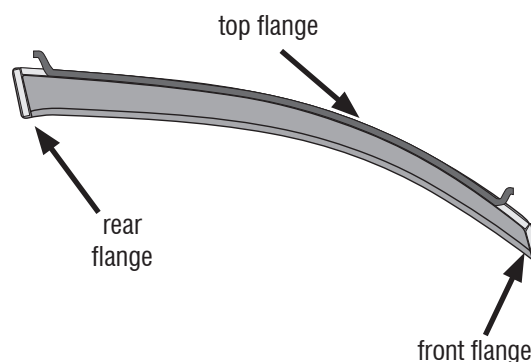
Apply surface prep to rubber surface.



3

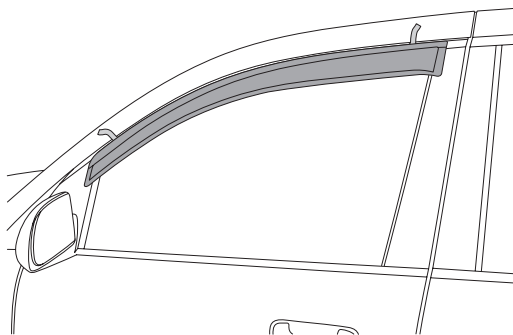
**CAUTION:** Read surface prep warning on page 1 before continuing.

Remove tape liner from front & rear flanges. Peel back 2" (5 cm) of tape liner from each end of top flange.



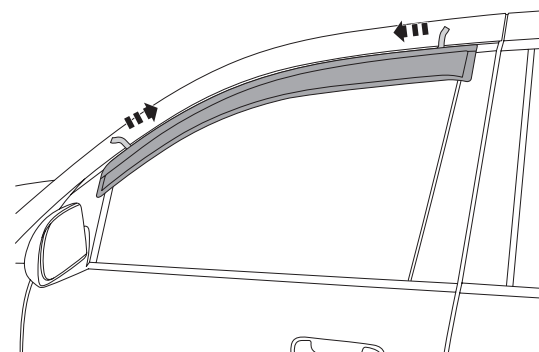
4

Attach visor to door while making sure all areas of the mounting surface are flush. **It may be necessary to open the door and apply pressure from behind the top of the frame to ensure a flush mounting surface.**



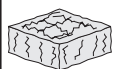
5

Remove tape liner and apply pressure to tape flanges to secure.

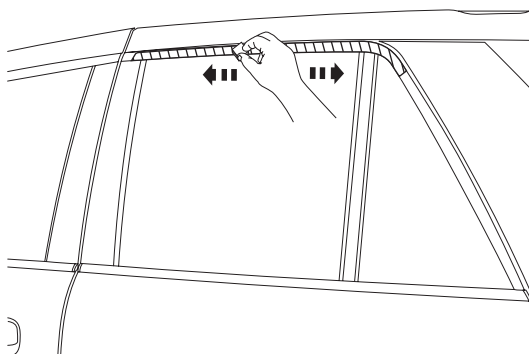


6

# Installation Steps - 4 Piece Set



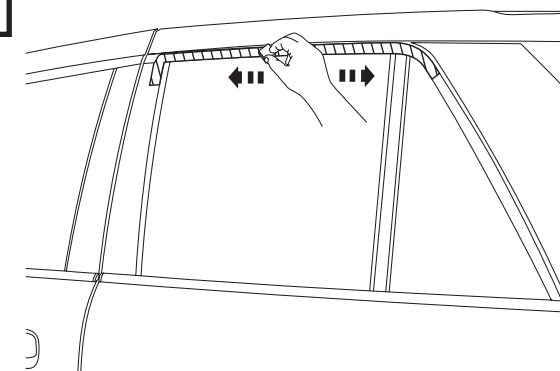
Scuff rubber mounting surface.



7



Clean mounting surface.



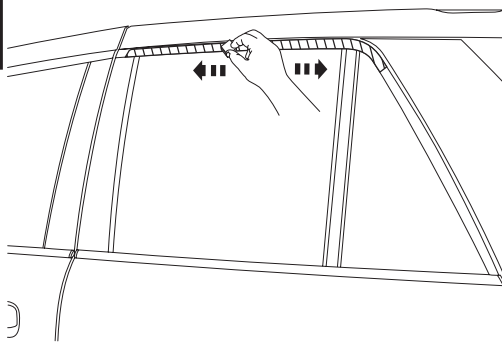
8

## Installation Steps

**NOTE:** Actual application may vary slightly from illustrations.

SURFACE PREP  
A 4298  
PART #  
12368011

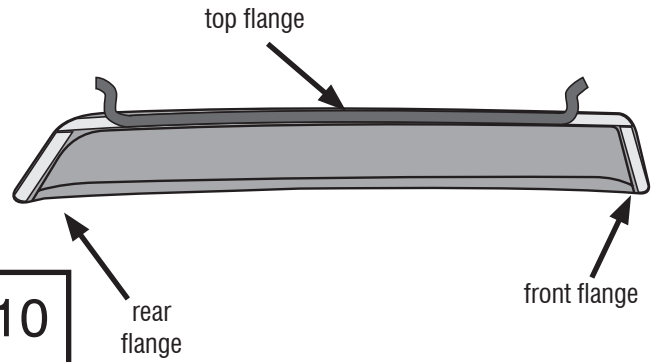
Apply surface prep to rubber surface.



9

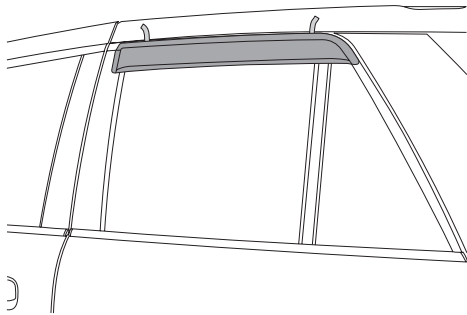
**CAUTION:** Read surface prep warning on page 1 before continuing.

Remove tape liner from front & rear flanges. Peel back 2" (5 cm) of tape liner from each end of top flange.



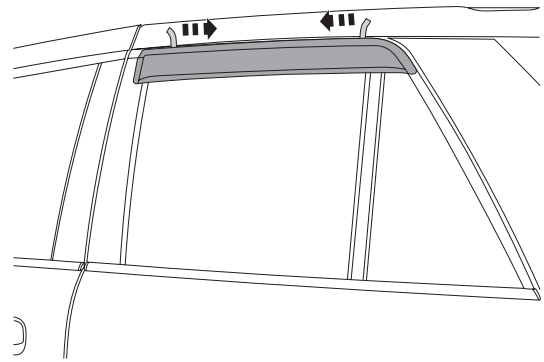
10

Attach visor to door while making sure all areas of the mounting surface are flush. **It may be necessary to open the door and apply pressure from behind the top of the frame to ensure a flush mounting surface.**



11

Remove tape liner and apply pressure to tape flanges to secure.



12

Repeat **Steps 1-12** for passenger side.

## Care and Cleaning

- Wash only with mild soap & dry with a clean cloth.

## Congratulations!

You have purchased one of the many quality Auto Ventshade™ branded products offered by Lund International, Inc. We take the utmost pride in our products and want you to enjoy years of satisfaction from your investment. We have made every effort to ensure that your product is top quality in terms of fit, durability, finish and ease of installation.

