

# Installation Instructions



AUTO VENTSHADE™

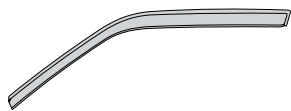
## Ventvisor® Deflector

### Important Safety Information



- CAUTION - Before driving, ensure that the vent visor is properly secured to vehicle.
- Do not use automatic "brush-style" car washes.
- Do not use cleaning solvents of any kind.
- Periodically check all components for tightness.

### Contents - 2 Piece Set **NOTE:** Actual product may vary from illustration.



Front Driver Side Visor



Front Passenger Side Visor



Alcohol Pad x2

### Contents - 4 Piece Set



Front Driver Side Visor



Front Passenger Side Visor



Rear Driver Side Visor



Rear Passenger Side Visor



Alcohol Pad x4

### Tools Required



Car Wash Supplies



Clean Towel

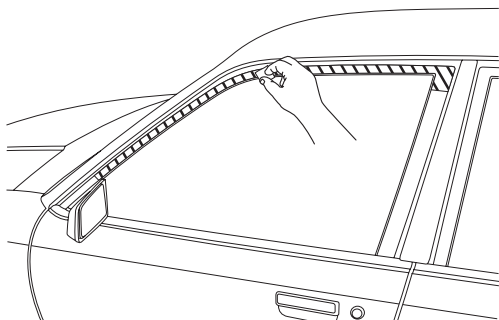
### Preparation Before Painting / Installation

- A trial fit is recommended to ensure proper positioning and fit.
- Check fit of parts before painting as we will not accept the return of modified or painted parts.
- Wash and dry your vehicle to remove any debris and/or dirt from the installation area.

### Installation Steps **NOTE:** Actual application may vary slightly from illustrations.

Alcohol Pad

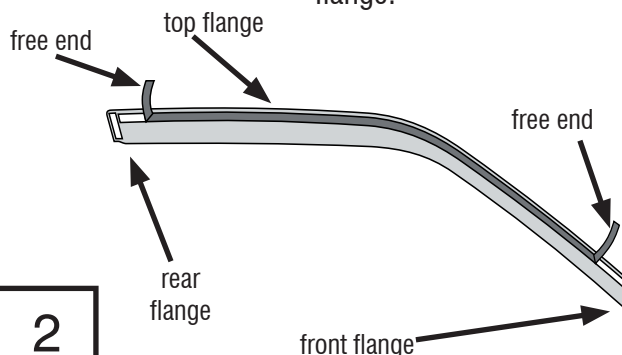
Clean the door frame where the deflector will mount with an alcohol pad.



1

**NOTE:** the deflectors mount on the **outside** surface of the door frame.

Remove tape liner from rear flange of deflector. Peel back 2" (5 cm) of tape line from each end of top flange.

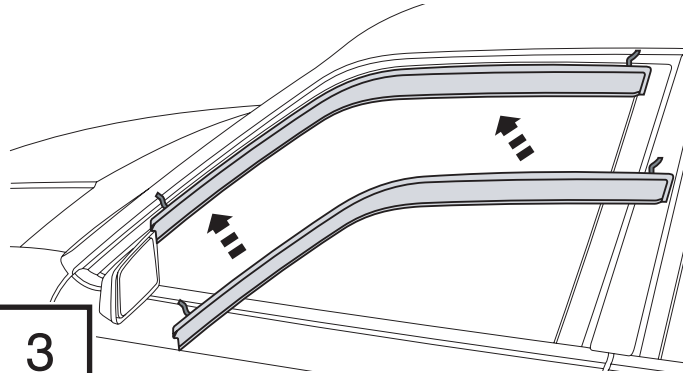


2

## Installation Steps

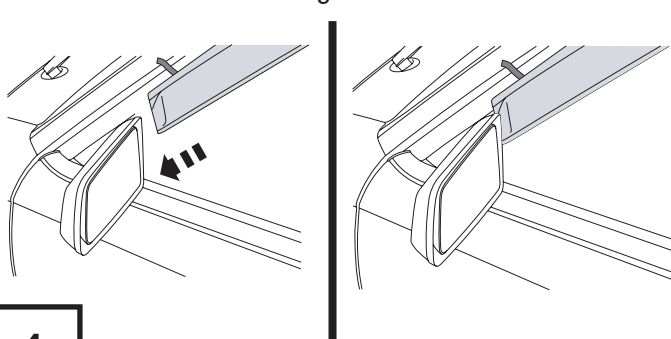
**NOTE:** Actual application may vary slightly from illustrations.

Align the driver side deflector with the previously cleaned door frame.



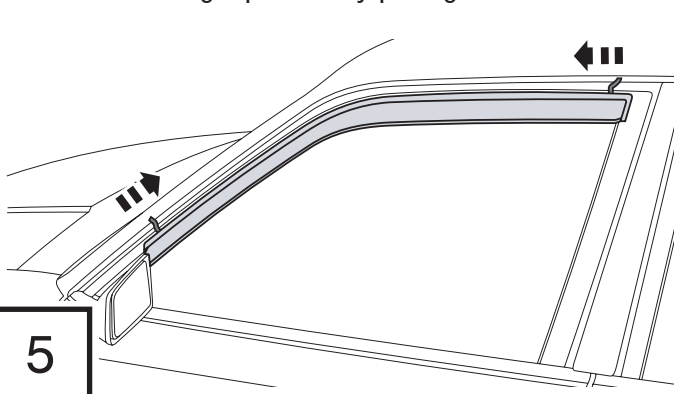
3

Slide the front end flange **between** the mirror and the glass.



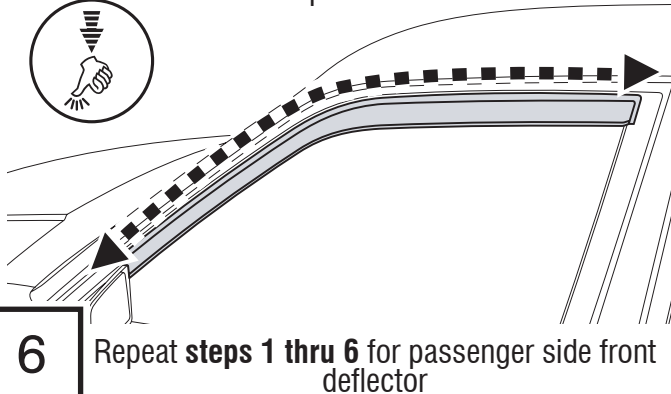
4

With the deflector in its final position, remove remaining tape liner by pulling on free ends.



5

Apply pressure along the flange edges to secure in place.

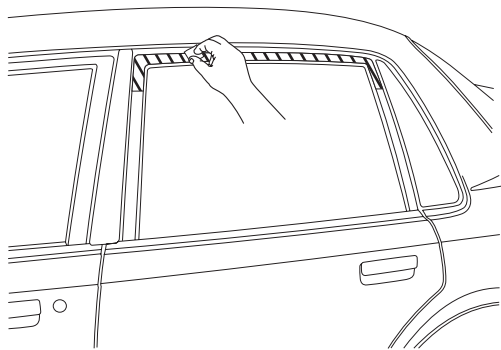


6

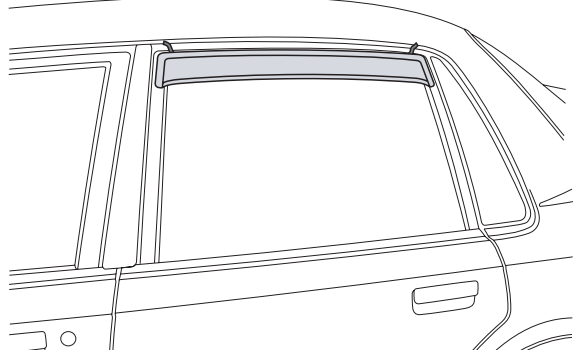
## 4 Piece Set

The rear visor mounts to the door frame utilizing the same installation procedure as above. Repeat for opposite side.

Alcohol Pad



7



## Care and Cleaning

- Wash only with mild soap & dry with a clean cloth.

## Congratulations!

You have purchased one of the many quality Auto Ventshade™ branded products offered by Lund International, Inc. We take the utmost pride in our products and want you to enjoy years of satisfaction from your investment. We have made every effort to ensure that your product is top quality in terms of fit, durability, finish and ease of installation.

