

# Installation Instructions



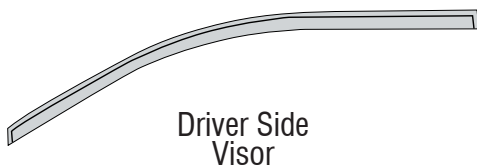
## Ventvisor® Deflector

### Important Safety Information



- CAUTION - Before driving, ensure that the vent visor is properly secured to vehicle.
- Do not use automatic "brush-style" car washes.
- Do not use cleaning solvents of any kind.
- Periodically check all components for tightness.

### Contents **NOTE:** Actual product may vary from illustration.



Driver Side Visor



Passenger Side Visor

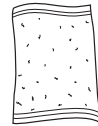


Alcohol Pad x2

### Tools Required



Car Wash Supplies



Clean Towel

### Preparation Before Painting / Installation

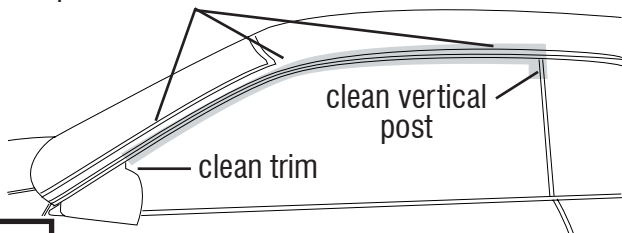
- A trial fit is recommended to ensure proper positioning and fit.
- Check fit of parts before painting as we will not accept the return of modified or painted parts.
- Wash and dry your vehicle to remove any debris and/or dirt from the installation area.

### Installation Steps **NOTE:** Actual application may vary slightly from illustrations.



Clean the surfaces where visor will mount with an alcohol pad.

clean painted surface



1

**Note:** Visors mount on the outside painted surface of the door frame.

Remove tape liner from front and rear flanges. Peel back 2" (5 cm) of tape liner from each end of top flange.

free end

rear flange

top flange

free end

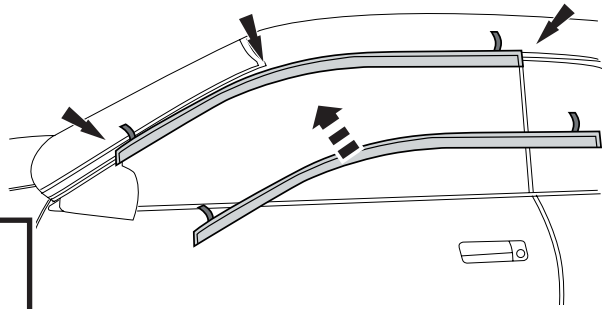
front flange

2

## Installation Steps

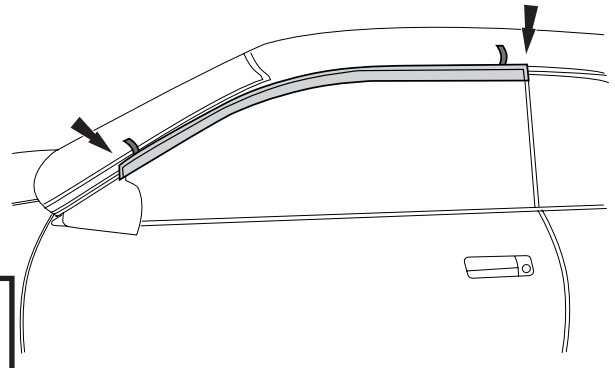
**NOTE:** Actual application may vary slightly from illustrations.

Align the visor to the vehicle by positioning rear end flange on the vertical post. Then align the lateral flange on the painted surface just above the trim, and the front end flange onto the door trim.



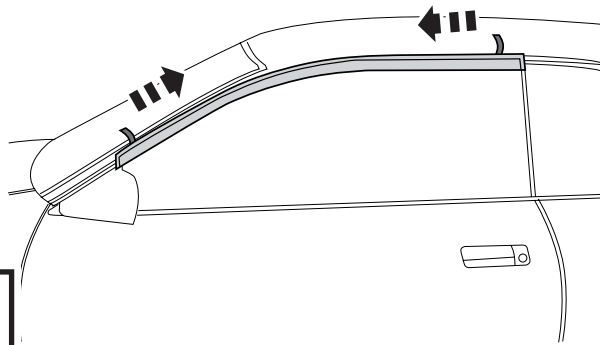
3

Press gently along exposed tape area to secure in position. Open door to verify that visor does not interfere with door operation.



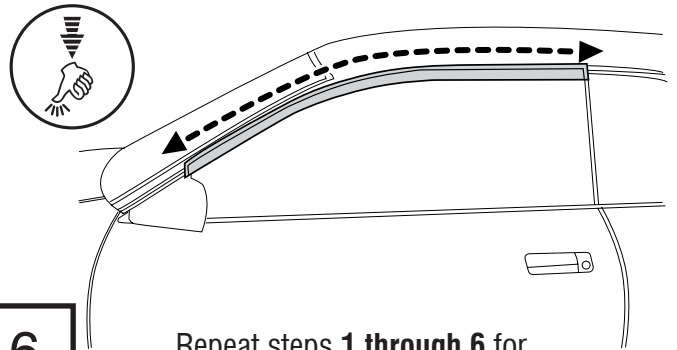
4

With the visor in its final position, remove remaining tape liner by pulling on free ends.



5

Apply pressure along tape flange to secure.



6

Repeat steps 1 through 6 for passenger side visor.

## Care and Cleaning

- Wash only with mild soap & dry with a clean cloth.

## Congratulations!

You have purchased one of the many quality Auto Ventshade™ branded products offered by Lund International, Inc. We take the utmost pride in our products and want you to enjoy years of satisfaction from your investment. We have made every effort to ensure that your product is top quality in terms of fit, durability, finish and ease of installation.

