

Installation Instructions



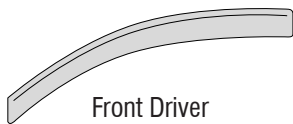
Ventvisor® Deflector

Important Safety Information

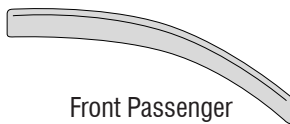


- CAUTION - Before driving, ensure that the vent visor is properly secured to vehicle.
- Do not use automatic "brush-style" car washes.
- Do not use cleaning solvents of any kind.
- Periodically check all components for tightness.

Contents - 2 Piece Set **NOTE:** Actual product may vary from illustration.



Front Driver Side Visor



Front Passenger Side Visor



Alcohol Pad x2

Contents - 4 Piece Set



Front Driver Side Visor



Front Passenger Side Visor



Rear Driver Side Visor



Rear Passenger Side Visor



Alcohol Pad x4

Tools Required



Car Wash Supplies



Clean Towel

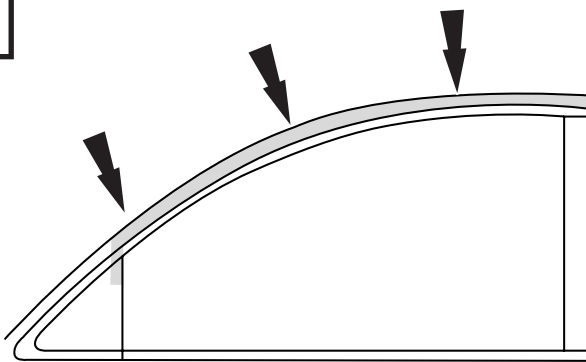
Preparation Before Painting / Installation

- A trial fit is recommended to ensure proper positioning and fit.
- Check fit of parts before painting as we will not accept the return of modified or painted parts.
- Wash and dry your vehicle to remove any debris and/or dirt from the installation area.

Installation Steps **NOTE:** Actual application may vary slightly from illustrations.



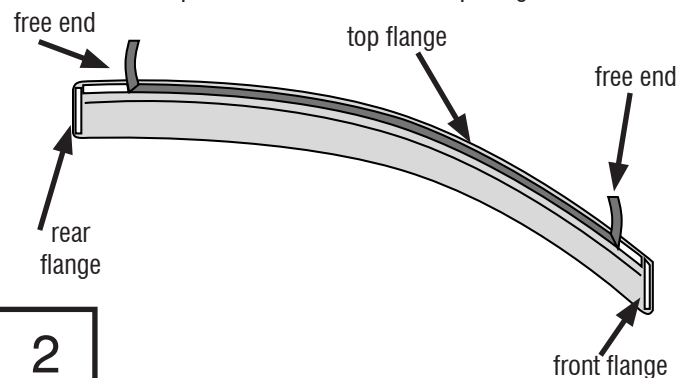
Clean the mounting location with an alcohol pad.



1

NOTE: visors mount on the outside of the door frame.

Remove tape liner from front & rear flanges. Peel back 2" (5 cm) of tape liner from each end of top flange.

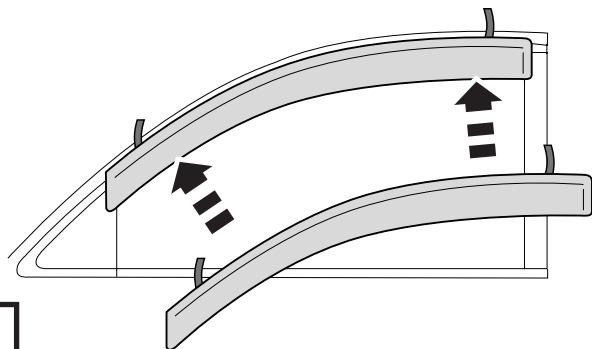


2

Installation Steps

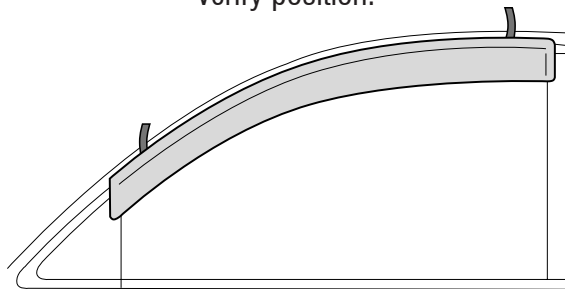
NOTE: Actual application may vary slightly from illustrations.

Align the driver side visor with the previously cleaned surface.



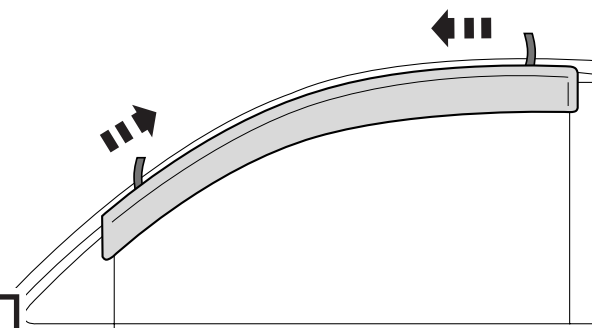
3

Press the exposed area of tape against the surface and verify position.



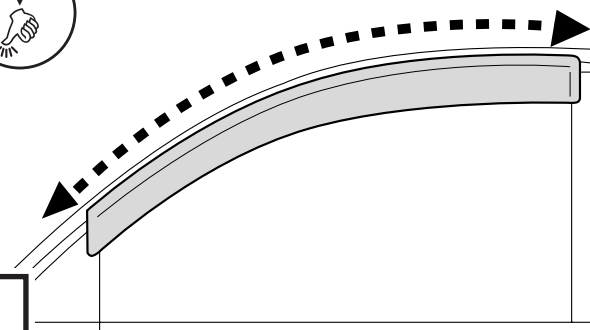
4

With the visor in its final position, remove the remaining tape liner by pulling on free ends.



5

Press along visor flanges to ensure proper adhesion.

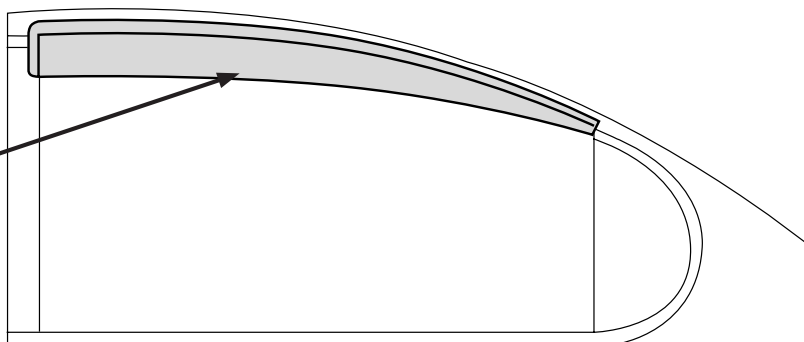


6

4 Piece Set

The rear visor attaches with same preparation methods as the front visor.

rear visor in final position



7

Repeat **Steps 1 thru 7** for the passenger side.

Care and Cleaning

- Wash only with mild soap & dry with a clean cloth.

Congratulations!

You have purchased one of the many quality Auto Ventshade™ branded products offered by Lund International, Inc. We take the utmost pride in our products and want you to enjoy years of satisfaction from your investment. We have made every effort to ensure that your product is top quality in terms of fit, durability, finish and ease of installation.

