

# Installation Instructions

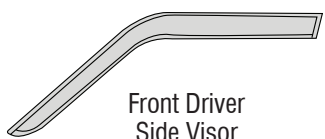
## Ventvisor® Deflector

### Important Safety Information



- CAUTION - Before driving, ensure that the vent visor is properly secured to vehicle.
- Do not use automatic "brush-style" car washes.
- Do not use cleaning solvents of any kind.
- Periodically check all components for tightness.

### Contents - 2 Piece Set **NOTE:** Actual product may vary from illustration.



Front Driver Side Visor

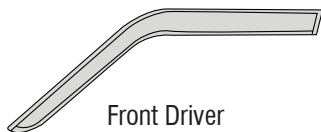


Front Passenger Side Visor

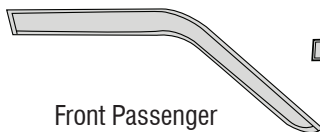


Alcohol Pad x2

### Contents - 4 Piece Set



Front Driver Side Visor



Front Passenger Side Visor



Rear Driver Side Visor



Rear Passenger Side Visor

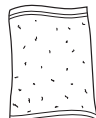


Alcohol Pad x4

### Tools Required



Car Wash Supplies



Clean Towel

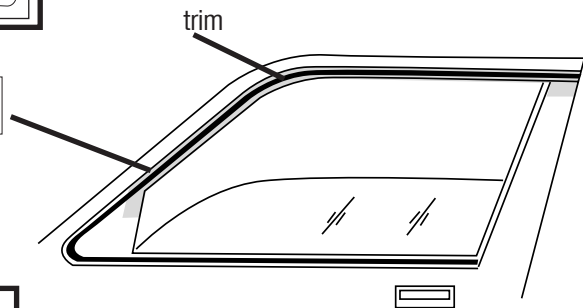
### Preparation Before Painting / Installation

- A trial fit is recommended to ensure proper positioning and fit.
- Check fit of parts before painting as we will not accept the return of modified or painted parts.
- Wash and dry your vehicle to remove any debris and/or dirt from the installation area.

### Installation Steps **NOTE:** Actual application may vary slightly from illustrations.



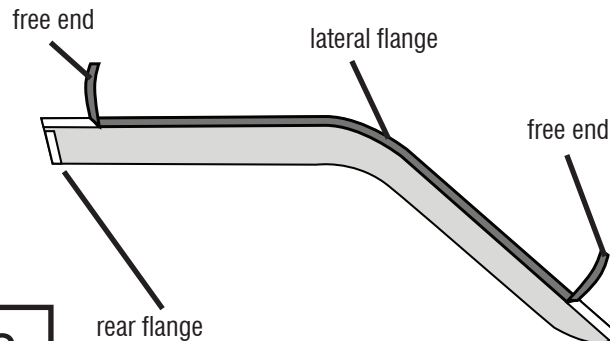
Lower drivers side window and clean window frame and chrome or black trim with an alcohol pad.



1

**NOTE:** Visors mount on the OUTSIDE door trim.

Peel back 2" (5 cm) of tape liner from each end of lateral flange.

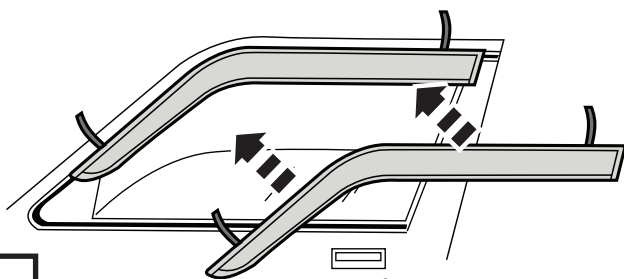


2

## Installation Steps

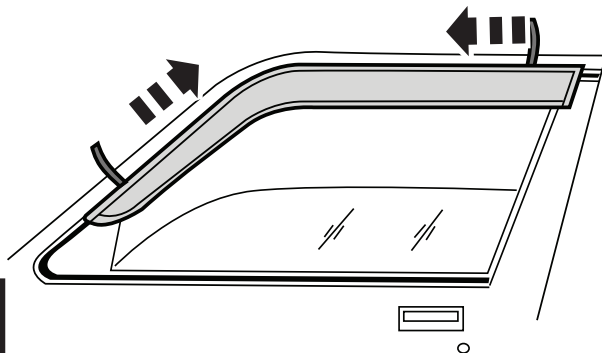
**NOTE:** Actual application may vary slightly from illustrations.

Align the visor with the previously cleaned surface. The flanges of the visor attach to the surface of the window's chrome or black trim.



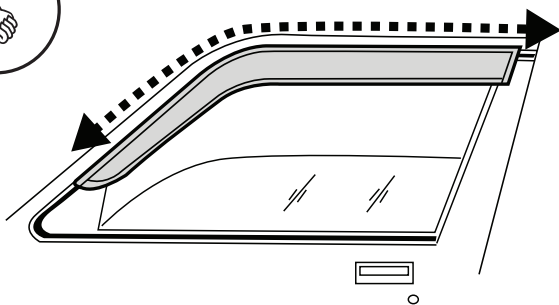
3

Verify proper positioning. With the visor in its final position, remove remaining tape liner by pulling on free ends.

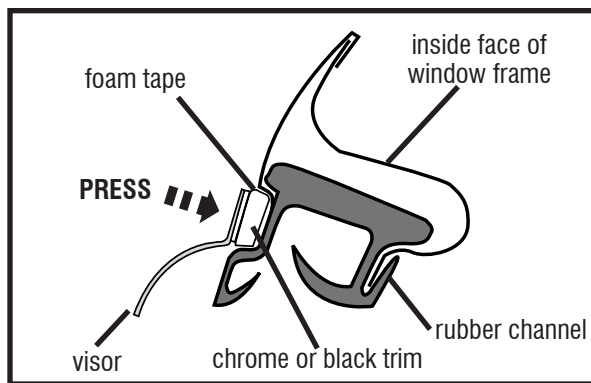


4

Apply pressure along all flanges to ensure adhesion of tape to the trim surfaces.



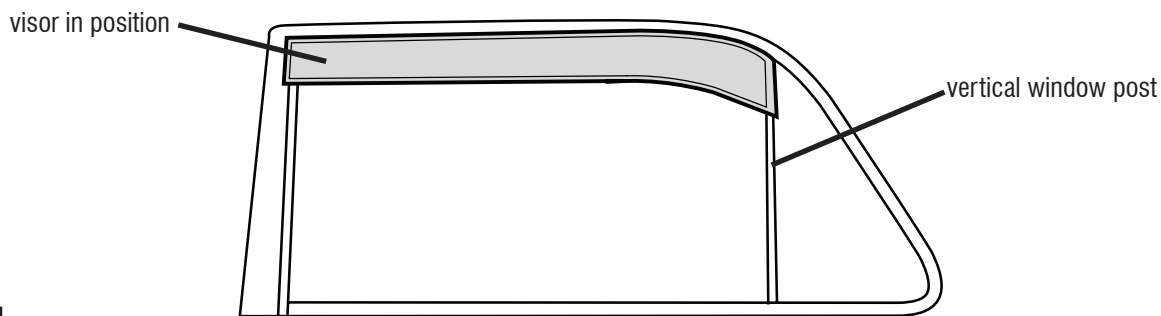
5



cross section of visor placement

## 4 Piece Set

The rear visor installs utilizing the same procedure as above. The front end flange attaches to the trim and the lateral flange to the vertical window post.



6

Repeat **Steps 1-6** for opposite side.

## Care and Cleaning

- Wash only with mild soap & dry with a clean cloth.

## Congratulations!

You have purchased one of the many quality Auto Ventshade™ branded products offered by Lund International, Inc. We take the utmost pride in our products and want you to enjoy years of satisfaction from your investment. We have made every effort to ensure that your product is top quality in terms of fit, durability, finish and ease of installation.

