

Installation Instructions



AUTO VENT SHADE™

Ventvisor® Deflector

Important Safety Information



- CAUTION - Before driving, ensure that the vent visor is properly secured to vehicle.
- Do not use automatic "brush-style" car washes.
- Do not use cleaning solvents of any kind.
- Periodically check all components for tightness.

Contents - 2 Piece Set

NOTE: Actual product may vary from illustration.



Front Driver Side Visor



Front Passenger Side Visor

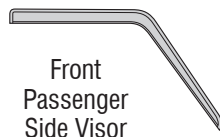


Alcohol Pad x2

Contents - 4 Piece Set



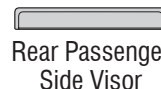
Front Driver Side Visor



Front Passenger Side Visor



Rear Driver Side Visor



Rear Passenger Side Visor



Alcohol Pad x4

Tools Required



Car Wash Supplies



Clean Towel

Preparation Before Painting / Installation

- A trial fit is recommended to ensure proper positioning and fit.
- Check fit of parts before painting as we will not accept the return of modified or painted parts.
- Wash and dry your vehicle to remove any debris and/or dirt from the installation area.

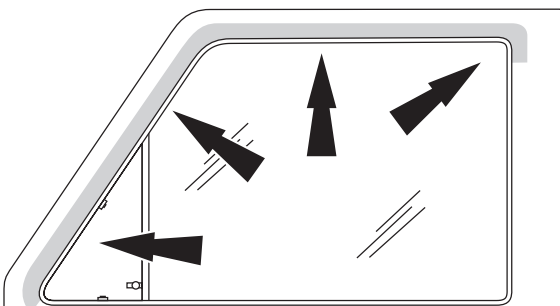
Installation Steps

NOTE: Actual application may vary slightly from illustrations.

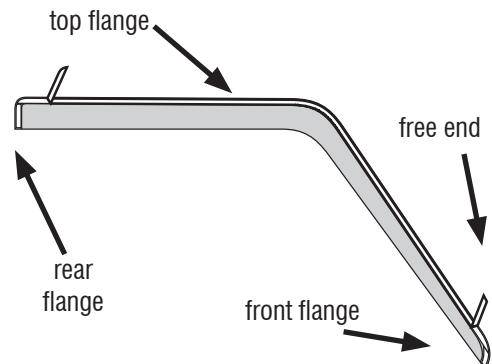
Alcohol Pad

Clean the visor mounting area on the door's painted surface with an alcohol pad.

1



Remove the tape liner from the front & rear flanges. Peel back 2" of tape liner from each end of top flange.



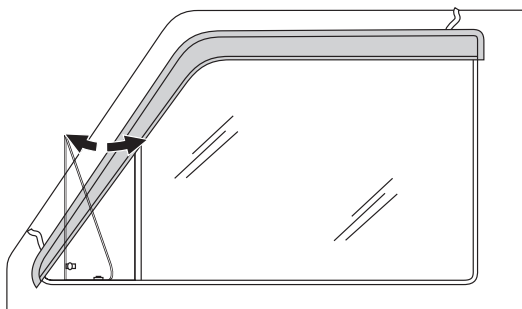
2

Installation Steps

NOTE: Actual application may vary slightly from illustrations.

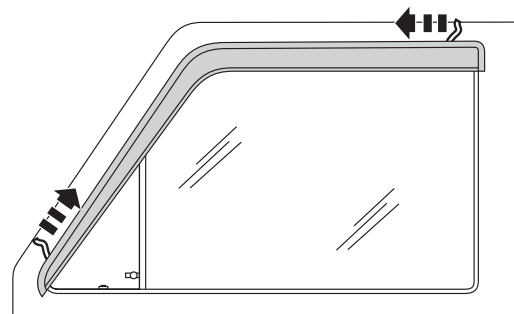
Lightly set the visor in place. Ensure vent window operates freely. Reposition visor if vent window movement is obstructed.

3



Remove tape liner by pulling on free ends. Apply pressure to the tape flanges to secure.

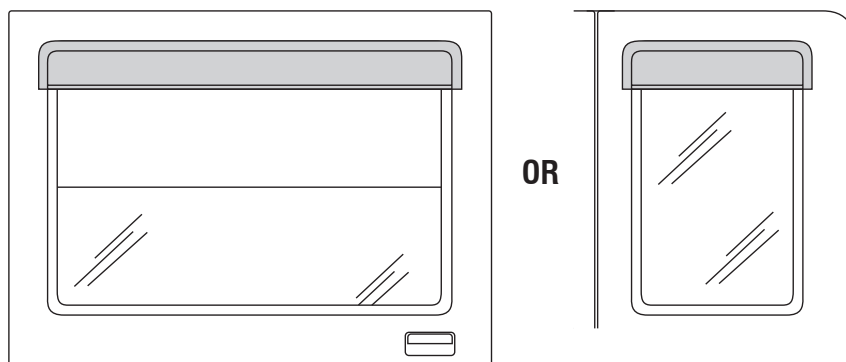
4



4 Piece Set

The rear visor attaches with same preparation methods as the front visor. Attach visor to the vehicle's painted surface.

5



Repeat **Steps 1-5** for Passenger side

Care and Cleaning

- Wash only with mild soap & dry with a clean cloth.

Congratulations!

You have purchased one of the many quality Auto Ventshade™ branded products offered by Lund International, Inc. We take the utmost pride in our products and want you to enjoy years of satisfaction from your investment. We have made every effort to ensure that your product is top quality in terms of fit, durability, finish and ease of installation.

