

Installation Instructions



Ventvisor® Deflector

Important Safety Information

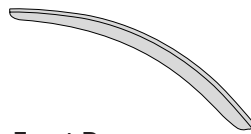


- CAUTION - Before driving, ensure that the vent visor is properly secured to vehicle.
- Do not use automatic "brush-style" car washes.
- Do not use cleaning solvents of any kind.
- Periodically check all components for tightness.

Contents **NOTE:** Actual product may vary from illustration.



Front Driver
Side Visor



Front Passenger
Side Visor

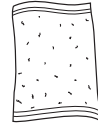


Alcohol Pad x2

Tools Required



Car Wash Supplies



Clean Towel

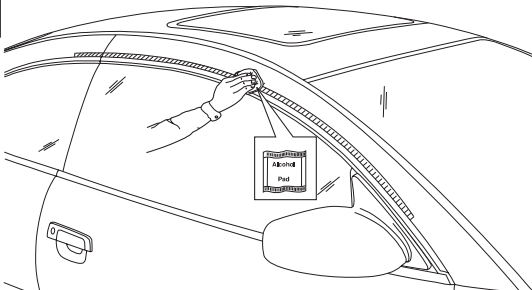
Preparation Before Painting / Installation

- A trial fit is recommended to ensure proper positioning and fit.
- Check fit of parts before painting as we will not accept the return of modified or painted parts.
- Wash and dry your vehicle to remove any debris and/or dirt from the installation area.

Installation Steps **NOTE:** Actual application may vary slightly from illustrations.



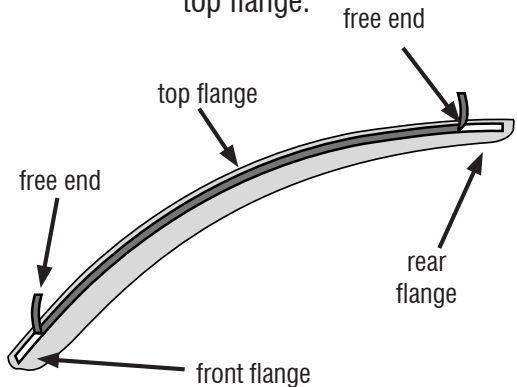
Clean the painted surface above the trim where the visor will mount with an alcohol pad.



1

Note: Due to the absence of a door frame, the visors attach to the painted surface of the vehicle.

Peel back 2" (5cm) of tape liner from each end of top flange.

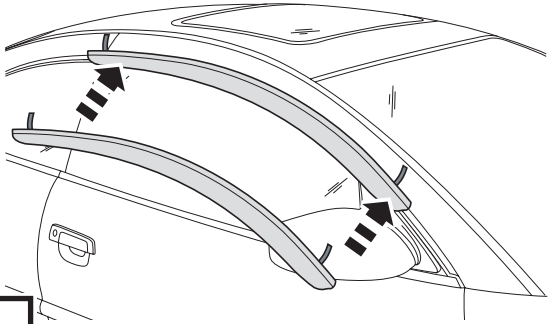


2

Installation Steps

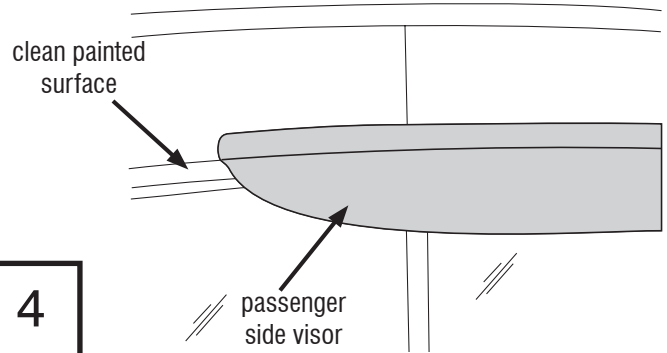
NOTE: Actual application may vary slightly from illustrations.

Align the driver side visor with the previously cleaned surfaces.



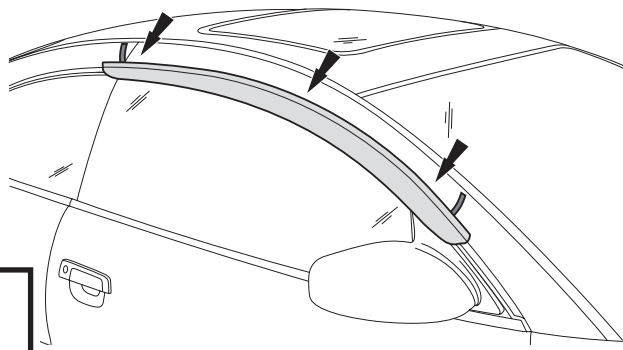
3

Ensure the visor is properly aligned along the previously cleaned surface.



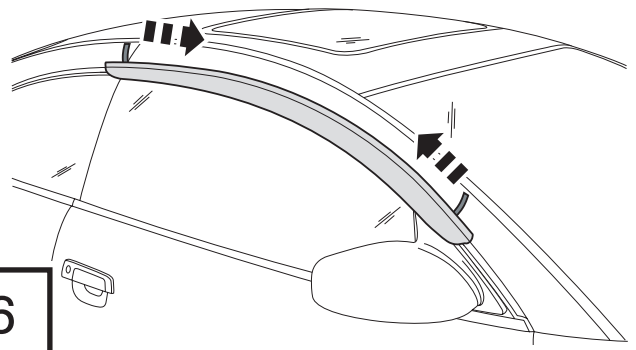
4

Press the exposed area of tape against the surface and verify position. Open the door to ensure the visor does not obstruct door opening.



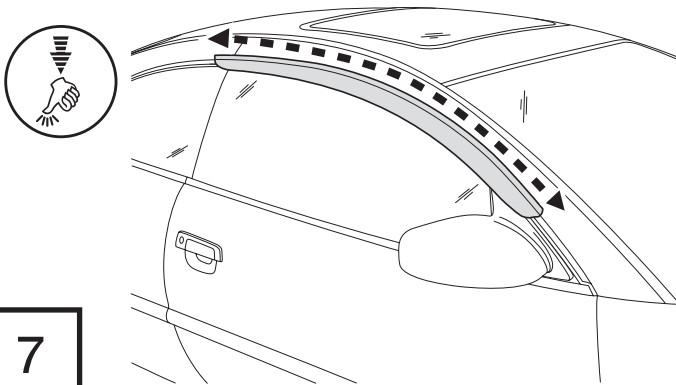
5

With the visor in its final position, remove the remaining tape liner by pulling on free ends.



6

Press along visor flanges to ensure proper adhesion.



7

Repeat **Steps 1 - 7** for drivers side visor

Care and Cleaning

- Wash only with mild soap & dry with a clean cloth.

Congratulations!

You have purchased one of the many quality Auto Ventshade™ branded products offered by Lund International, Inc. We take the utmost pride in our products and want you to enjoy years of satisfaction from your investment. We have made every effort to ensure that your product is top quality in terms of fit, durability, finish and ease of installation.

