

# Installation Instructions

## Ventvisor® Deflector

### Important Safety Information

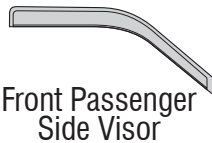


- CAUTION - Before driving, ensure that the deflector vent is properly secured to vehicle.
- Do not use automatic “brush-style” car washes.
- Do not use cleaning solvents of any kind.
- Periodically check all components for tightness.

### Contents - 2 Piece Set



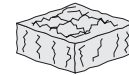
Front Driver  
Side Visor



Front Passenger  
Side Visor



Alcohol  
Pad x2

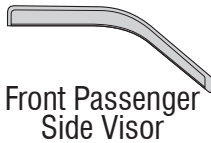


Scotch Brite Pad

### Contents - 4 Piece Set



Front Driver  
Side Visor



Front Passenger  
Side Visor



Rear Driver  
Side Visor



Rear Passenger  
Side Visor



Alcohol  
Pad x4



Scotch Brite Pad

### Tools Required



Car Wash Supplies



Clean Towel

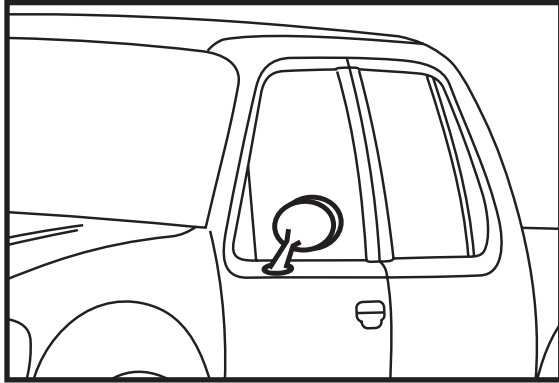
### Preparation Before Painting / Installation

- A trial fit is recommended to ensure proper positioning and fit.
- Check fit of parts before painting as we will not accept the return of modified or painted parts.
- Wash your vehicle to remove any debris and/or dirt from installation area.
- Dry the installation area with a clean towel.

# Installation Steps

**NOTE:** Actual application may vary slightly from drawings.

## Determine your side mirror style.



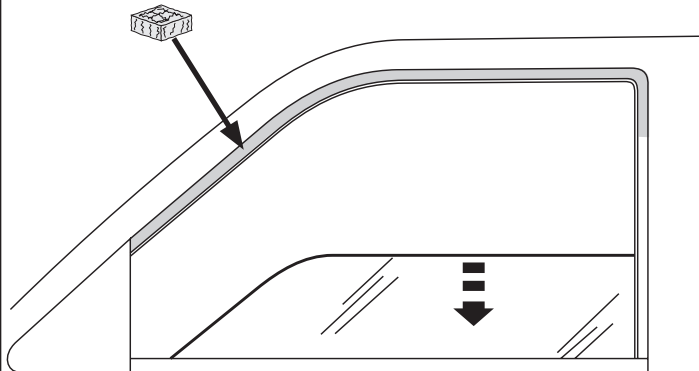
1

Door mount style, go to step 2.

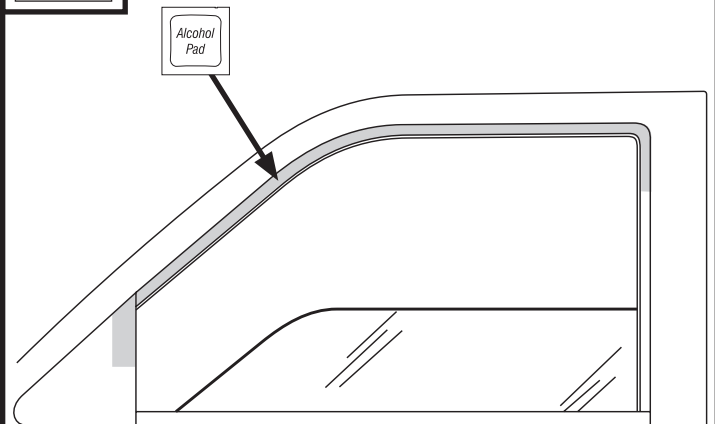
Corner mount style, go to step 8.



Lower the glass. Buff the rubber window trim where visor will attach.



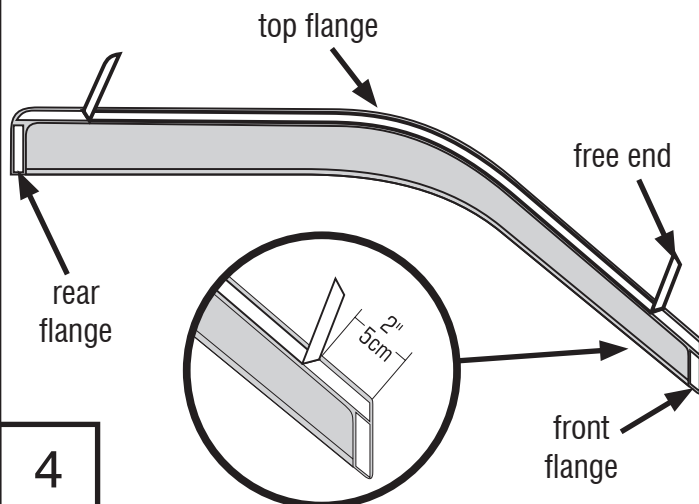
Clean the rubber window trim & corner panel where visor will attach.



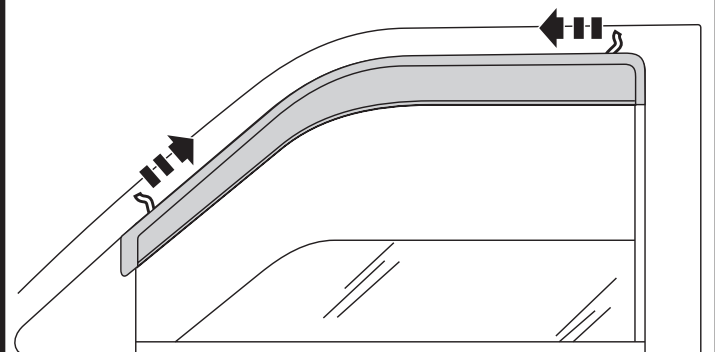
2

3

Remove the tape liner from the front flange. Peel back 2" (5 cm) of tape liner from each end of top flange.



Attach the front flange to the corner panel. Attach the top and rear flanges to the rubber window trim. Remove tape liner by pulling on free ends.



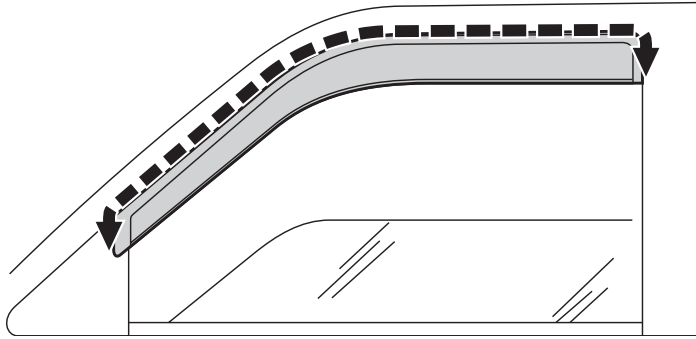
4

5

# Installation Steps

**NOTE:** Actual application may vary slightly from drawings.

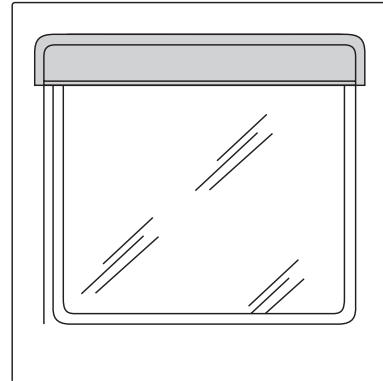
Apply pressure to the tape flanges to secure.



6

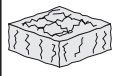
## 4 Piece Set

The rear visor uses the same attachment method as the front visor. Open pop out window prior to installation. Attach visor to the vehicle's painted metal surface. **DO NOT** buff surface.

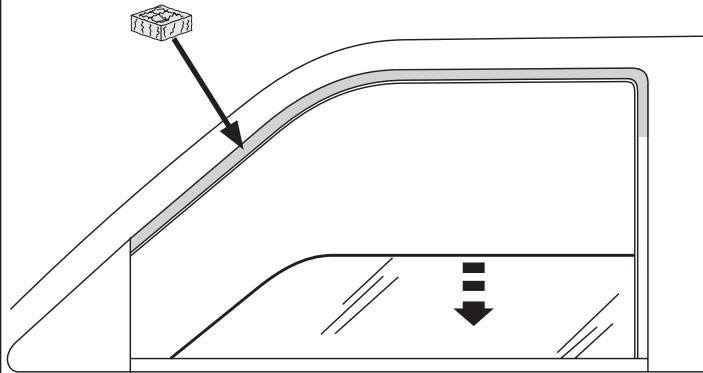


7

Repeat **Steps 1 - 7** for opposite side.



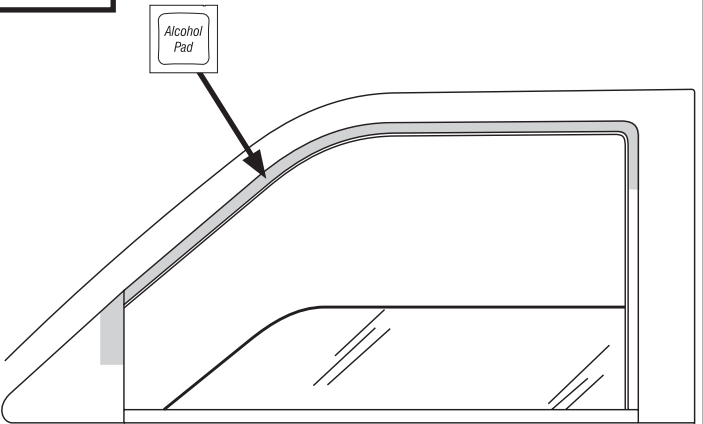
Lower the glass. Buff the rubber window trim where visor will attach.



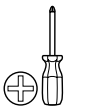
8



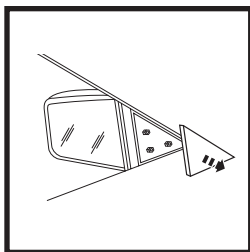
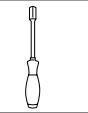
Clean the rubber window trim & corner panel where visor will attach.



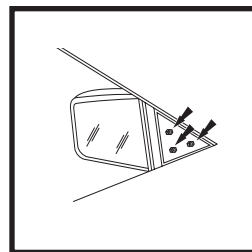
9



(1) Remove the triangular plastic mirror cap from the **INSIDE** of the door. (2) Loosen but do not remove the mirror mounting screws using a phillips screwdriver or nut driver as applicable.



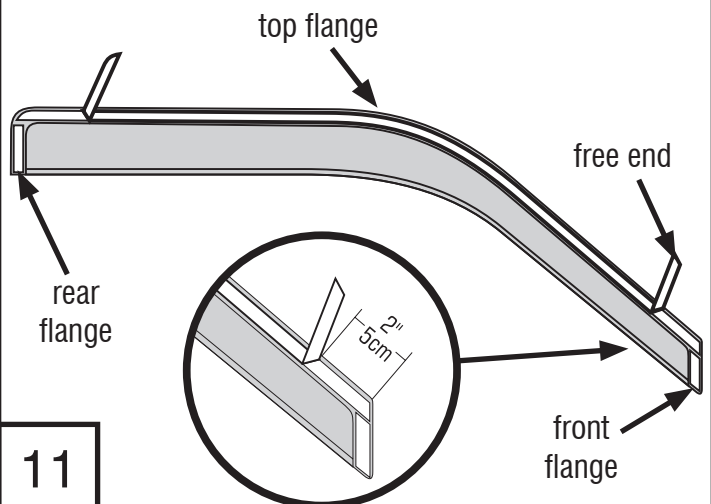
Step 1



Step 2

10

Remove the tape liner from the front & rear flanges. Peel back 2" (5 cm) of tape liner from each end of top flange.

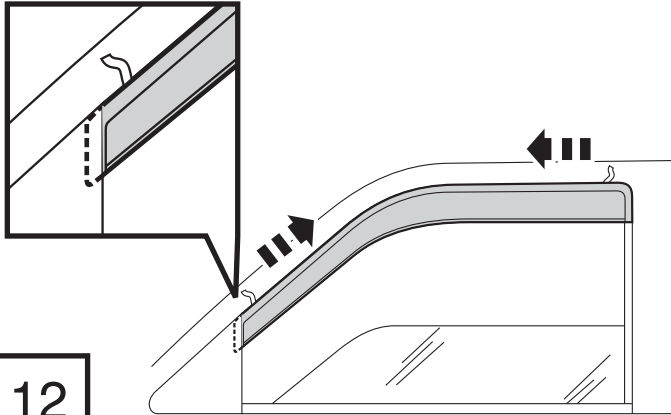


11

## Installation Steps

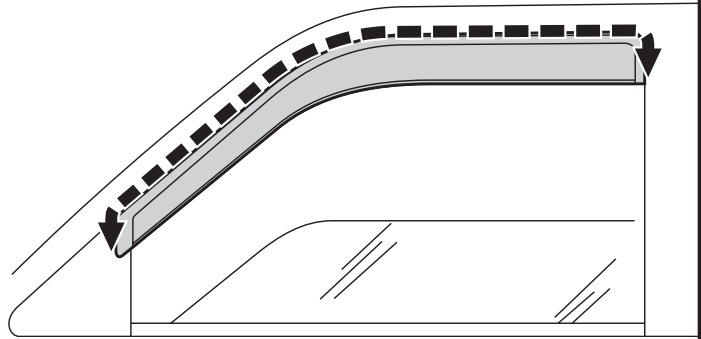
**NOTE:** Actual application may vary slightly from drawings.

Place front end flange behind plastic mirror cap and align visor on the black rubber window channel. With visor in its final position, remove remaining tape liner by pulling on free ends.



12

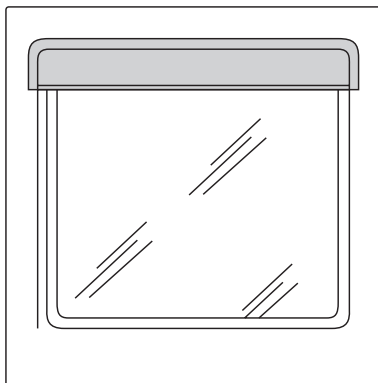
Apply pressure to the tape flanges to secure. Retighten previously loosened screws and replace mirror cap.



13

## 4 Piece Set

The rear visor uses the same attachment method as the front visor. Open pop out window prior to installation. Attach visor to the vehicle's painted metal surface. **DO NOT** buff surface.



14

Repeat **Steps 8 - 14** for opposite side.

## Care and Cleaning

- Wash only with mild soap & dry with a clean cloth.

## Congratulations!

You have purchased one of the many quality Auto Ventshade™ branded products offered by Lund International, Inc. We take the utmost pride in our products and want you to enjoy years of satisfaction from your investment. We have made every effort to ensure that your product is top quality in terms of fit, durability, finish and ease of installation.

