

# Installation Instructions



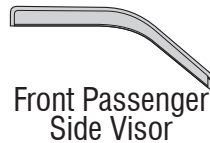
## Ventvisor® Deflector

### Important Safety Information



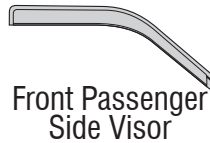
- CAUTION - Before driving, ensure that the deflector vent is properly secured to vehicle.
- Do not use automatic “brush-style” car washes.
- Do not use cleaning solvents of any kind.
- Periodically check all components for tightness.

### Contents - 2 Piece Set



Alcohol  
Pad x2

### Contents - 4 Piece Set



Rear Driver  
Side Visor



Rear Passenger  
Side Visor



Alcohol  
Pad x4

### Tools Required



Car Wash Supplies



Clean Towel

### Preparation Before Painting / Installation

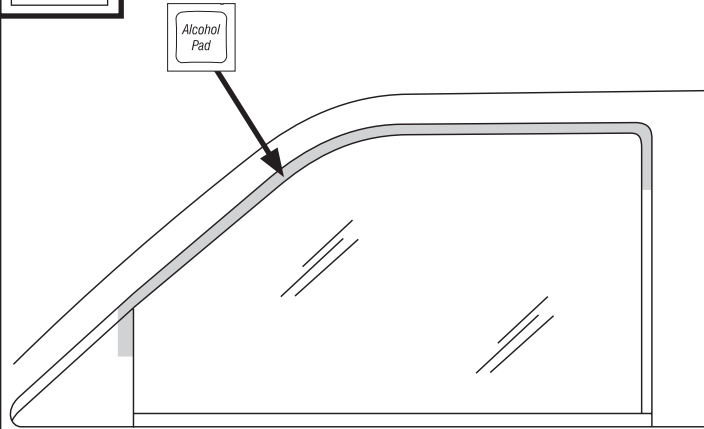
- A trial fit is recommended to ensure proper positioning and fit.
- Check fit of parts before painting as we will not accept the return of modified or painted parts.
- Wash your vehicle to remove any debris and/or dirt from installation area.
- Dry the installation area with a clean towel.

# Installation Steps

**NOTE:** Actual application may vary slightly from drawings.

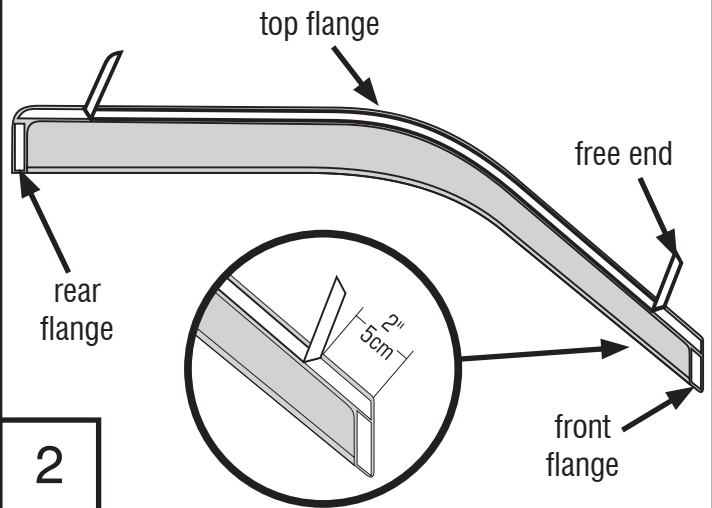


Clean the door's inset metal surface & mirror cap where visor will attach.



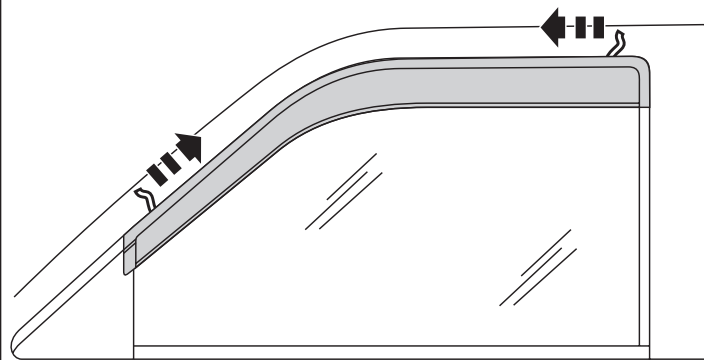
1

Remove the tape liner from the front & rear flanges. Peel back 2" of tape liner from each end of top flange.



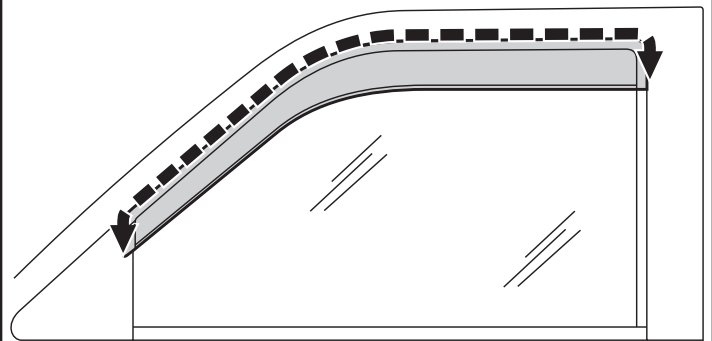
2

Attach the front flange to the mirror cap. Attach the top and rear flanges to the door's inset metal surface. Remove tape liner by pulling on free ends.



3

Apply pressure to the tape flanges to secure.



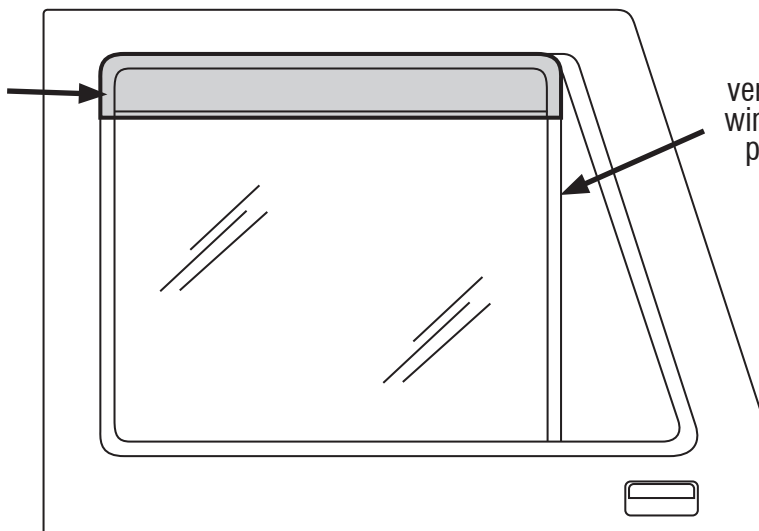
4

## 4 Piece Set

The rear visor attaches with same preparation methods as the front visor. Attach visor to the vehicle's inset metal surface.

rear visor attached inset metal surface

vertical window post



5

## Care and Cleaning

- Wash only with mild soap & dry with a clean cloth.



The material that your product is made from can be recycled. Please also consider recycling the packaging that your product came in.



## Congratulations!

You have purchased one of the many quality Auto Ventshade™ branded products offered by Lund International. We take the utmost pride in our products and want you to enjoy years of satisfaction from your investment. We have made every effort to ensure that your product is top quality in terms of fit, durability, finish and ease of installation.

