

# Installation Instructions



AUTO VENT SHADE™

## Ventvisor® Deflector

### Important Safety Information



- CAUTION - Before driving, ensure that the vent visors are properly secured to vehicle.
- Do not use automatic “brush-style” car washes.
- Do not use cleaning solvents of any kind.
- Periodically check all components for tightness.
- When using Surface Prep, avoid contact with skin. Use in well ventilated area. If contact is made with material, flush area with large amounts of water. If irritation persists, get immediate medical attention. USE PREP ON RUBBER ONLY

### Contents - 2 Piece Set



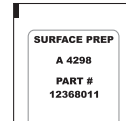
Front Driver Visor



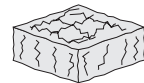
Front Passenger Visor



Alcohol Pad x2



Surface Prep Pad



Scotch Brite Pad

### Contents - 4 Piece Set



Front Driver Visor



Front Passenger Visor



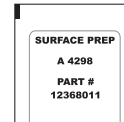
Rear Driver's Visor



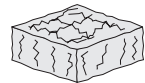
Rear Passenger's Visor



Alcohol Pad x4

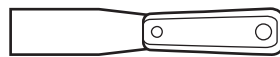


Surface Prep Pad



Scotch Brite Pad

### Tools Required



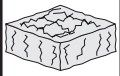
Putty Knife

### Preparation Before Painting / Installation

- Please review your warranty card **BEFORE** installation of this product.
- A trial fit is recommended to ensure proper positioning and fit.
- Check fit of parts before painting as we will not accept the return of modified or painted parts.
- Wash and dry your vehicle to remove any debris and/or dirt from the installation area.

## Front Visor Installation Steps

**NOTE:** Actual application may vary slightly from illustrations.



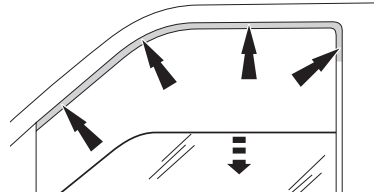
Lower the window & scuff the outside of the window trim where the visor will attach. Clean the scuffed area with an alcohol pad. Apply surface prep scuffed area.

Perform **Step 1** on both front doors, then continue.

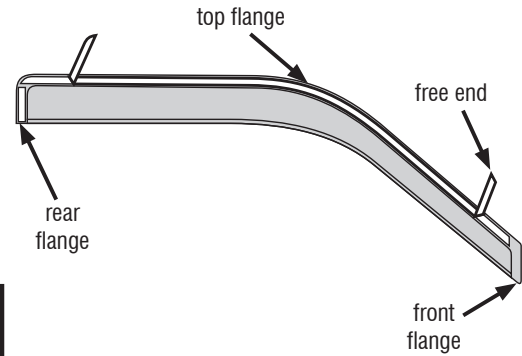


1

**CAUTION:** Read surface prep warning on page 1 before continuing.



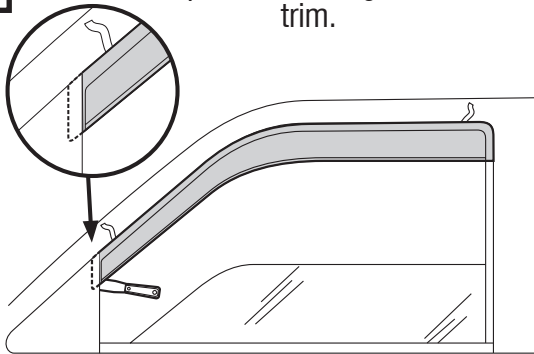
Remove the tape liner from the rear flange. Peel back 2" (5 cm) of tape liner from each end of top flange.



2

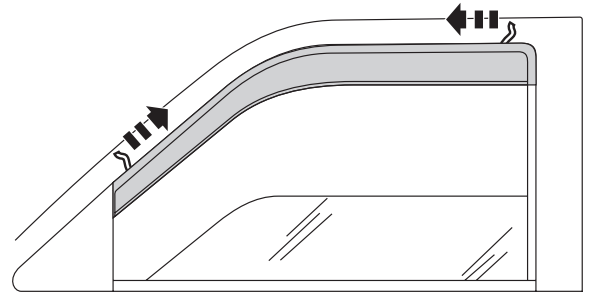


Slide the front flange behind the mirror cap, use a putty knife to create a gap if needed. Attach the top and rear flanges to the window trim.



3

Remove tape liner by pulling on free ends. Apply pressure to top and rear tape flanges to secure.

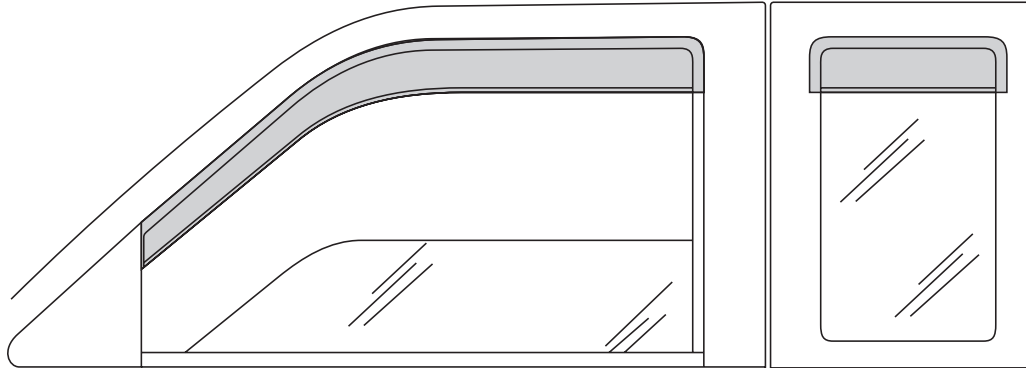


4

## 4 Piece Set

**REAR VISORS DO NOT USE SURFACE PREP OR SCOTCH BRITE PAD.**  
Rear visor attaches to the painted surface surrounding the window.

5



## Care and Cleaning

- Wash only with mild soap & dry with a clean cloth.

## Congratulations!

You have purchased one of the many quality Auto Ventshade™ branded products offered by Lund International, Inc. We take the utmost pride in our products and want you to enjoy years of satisfaction from your investment. We have made every effort to ensure that your product is top quality in terms of fit, durability, finish and ease of installation.

