



Ventvisor® Deflector

For proper installation and best possible fit, please read all instructions **BEFORE** you begin.

Important Safety Information



- CAUTION - Before driving, ensure that the vent visor is properly secured to vehicle.
- Do not use automatic “brush-style” car washes.
- Do not use cleaning solvents of any kind.
- Periodically check all components for tightness.

Contents - 2 Piece Set **NOTE:** Actual product may vary from illustration.



Front Driver Side Visor



Front Passenger Side Visor



Alcohol Pad x2

Contents - 4 Piece Set



Front Driver Side Visor



Front Passenger Side Visor



Rear Driver's Visor



Rear Passenger's Visor



Alcohol Pad x4

Tools Required



Car Wash Supplies



Clean Towel

Preparation Before Painting / Installation

- A trial fit is recommended to ensure proper positioning and fit.
- Check fit of parts before painting as we will not accept the return of modified or painted parts.
- Wash and dry your vehicle to remove any debris and/or dirt from the installation area.

Installation Steps **NOTE:** Actual application may vary slightly from illustrations.

Alcohol Pad

Clean the painted door frame and the B-pillar with an alcohol pad, and wipe dry with a soft cloth.

1

Remove tape liner from rear flange of visor. Peel back 2" (5 cm) of tape liner from each end of the tape flange.

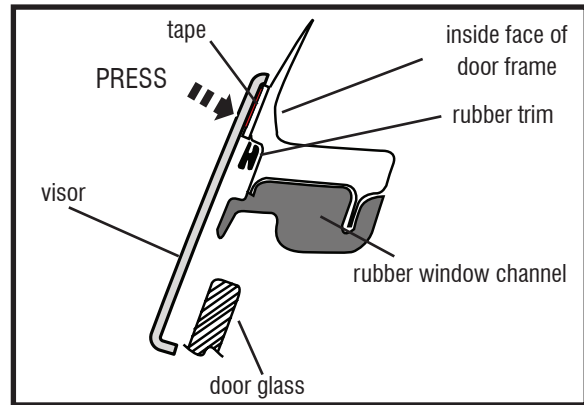
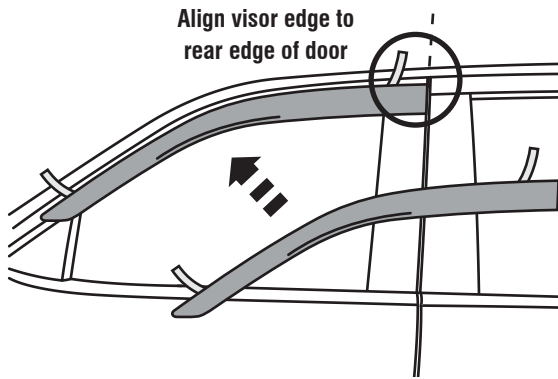
2

Installation Steps

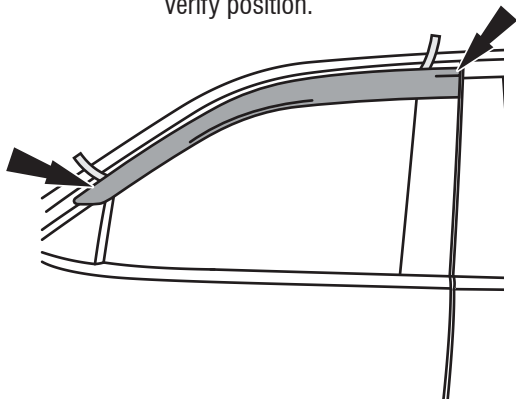
NOTE: Actual application may vary slightly from illustrations.

Align visor to the previously cleaned surface. The tape flange of the visor will attach to the **PAINTED** surface of the door frame **ABOVE** the rubber trim of the window frame and the rear flange will attach to the B-pillar surface.

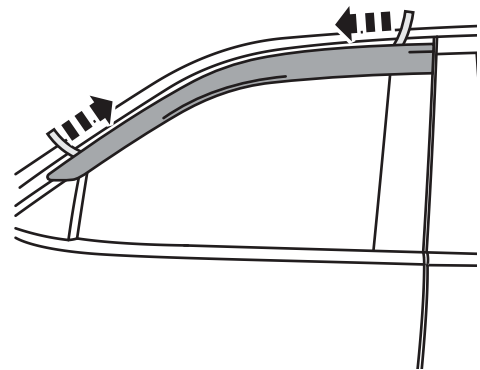
3



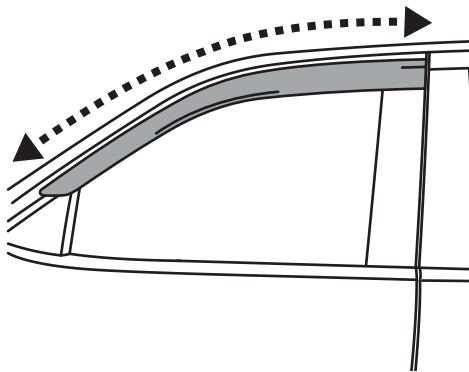
4



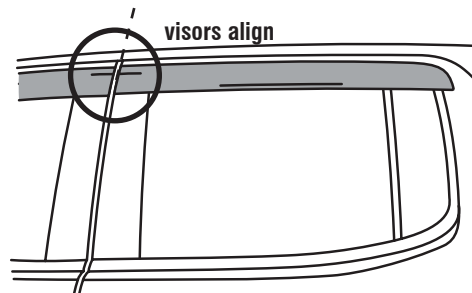
5



6



7



Repeat Steps 1-7 for opposite side.

Care and Cleaning

- Wash only with mild soap & dry with a clean cloth.



The material that your product is made from can be recycled. Please also consider recycling the packaging that your product came in.



Congratulations!

You have purchased one of the many quality Auto Ventshade™ branded products offered by Lund International. We take the utmost pride in our products and want you to enjoy years of satisfaction from your investment. We have made every effort to ensure that your product is top quality in terms of fit, durability, finish and ease of installation.



Check out the collection of stone and bug deflectors we offer.