

Installation Instructions



AUTO VENTSHADE™

Ventvisor® Deflector

Important Safety Information



- CAUTION - Before driving, ensure that the vent visors are properly secured to vehicle.
- Do not use automatic “brush-style” car washes.
- Do not use cleaning solvents of any kind.
- Periodically check all components for tightness.
- When using Surface Prep, avoid contact with skin. Use in well ventilated area. If contact is made with material, flush area with large amounts of water. If irritation persists, get immediate medical attention. USE PREP ON RUBBER ONLY

Contents - 2 Piece Set **NOTE:** Actual product may vary from illustration.



Front Driver Side Visor



Front Passenger Side Visor



Scotch Brite Pad



Alcohol Pad x2



Surface Prep x1

Contents - 4 Piece Set



Front Driver Side Visor



Front Passenger Side Visor



Rear Driver Side Visor



Rear Passenger Side Visor



Scotch Brite Pad



Alcohol Pad x2



Surface Prep x2

Tools Required



Car Wash Supplies



Clean Towel

Preparation Before Painting / Installation

- A trial fit is recommended to ensure proper positioning and fit.
- Check fit of parts before painting as we will not accept the return of modified or painted parts.
- Wash and dry your vehicle to remove any debris and/or dirt from the installation area.

Installation Instructions



Important Safety Information



- CAUTION - Before driving, ensure that the Aeroskin is properly secured to vehicle.
- Do not use automatic "brush-style" car washes.
- Do not use cleaning solvents of any kind.
- Periodically check all components for tightness.

Contents

NOTE: Actual product may vary from illustration.



Aeroskin



Alcohol Pad x2

Tools Required



Car Wash Supplies



Clean Towel

Preparation Before Painting / Installation

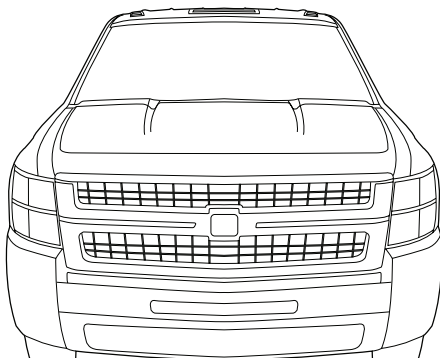
- A trial fit is recommended to ensure proper positioning and fit.
- Check fit of parts before painting as we will not accept the return of modified or painted parts.
- Wash and dry your vehicle to remove any debris and/or dirt from the installation area.

Installation Steps

NOTE: Actual application may vary slightly from illustrations.



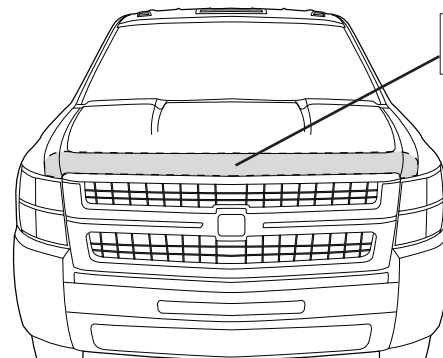
Prior to installation, wash the hood of vehicle and dry with a clean cloth.



1



Use the alcohol pads to clean the entire LEADING EDGE of the hood.



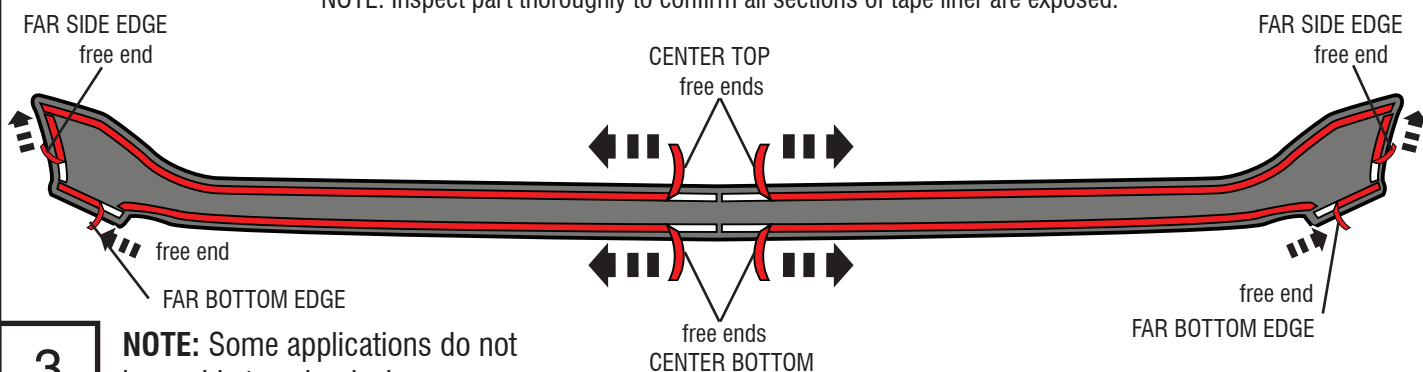
2

Installation Steps

NOTE: Actual application may vary slightly from illustrations.

Expose 2" (5 cm) of tape liner from each section of Aeroskin. Ensure you can access the free ends of tape liner.

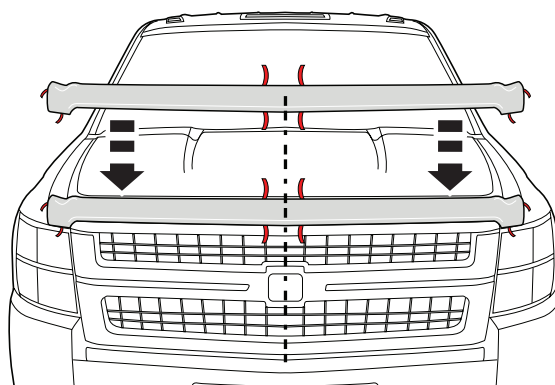
NOTE: Inspect part thoroughly to confirm all sections of tape liner are exposed.



3

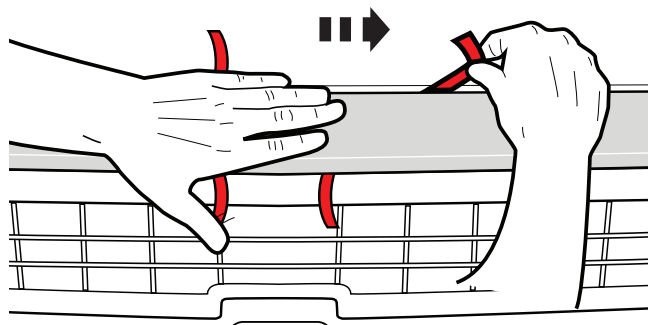
NOTE: Some applications do not have side tape by design.

Center the Aeroskin on the hood.



4

Begin removing remaining tape liner, beginning with the drivers side CENTER TOP. Grasping the free end, pull tape gently in 6" (15 cm) sections, while applying even pressure with hand to Aeroskin. Repeat process for passenger side.

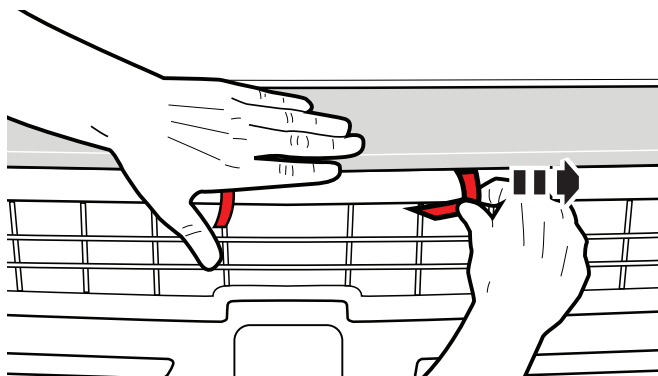


CAUTION: You must apply even pressure **from center section out** to each end of part, in order for proper adhesion to hood.

5

NOTE: Do not apply pressure closer than 6" (15 cm) to tape liner as it could accidentally break.

Using the same process, remove tape liner from the driver side CENTER BOTTOM of hood skin. Repeat for passenger side.

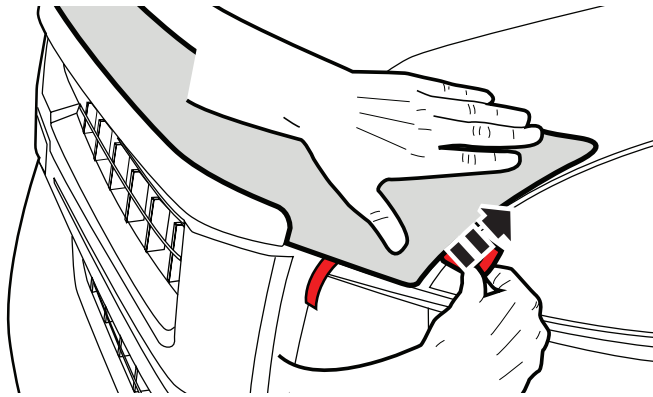


CAUTION: You must apply even pressure **from center section out** to each end of part, in order for proper adhesion to hood.

6

Installation Steps **NOTE:** Actual application may vary slightly from illustrations.

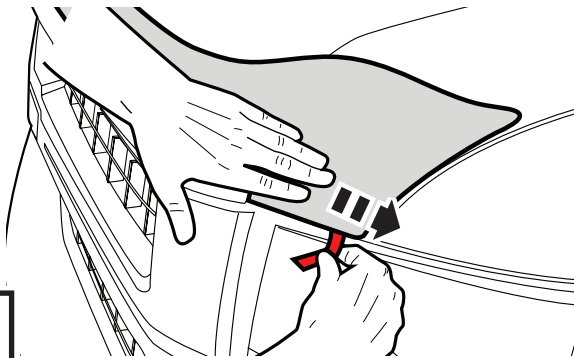
Again using the same process, remove tape liner from the driver side FAR SIDE EDGE of Aeroskin. Repeat for passenger side.



NOTE: Some applications do not have side tape by design.

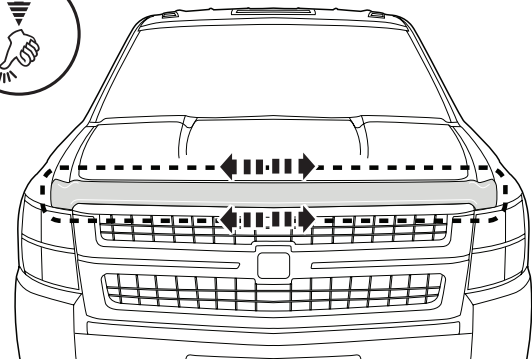
7

Again using the same process, remove tape liner from the driver side FAR BOTTOM EDGE of hood skin. Repeat for passenger side.



8

Press firmly along all edges of Aeroskin to ensure adhesion of tape to hood surface.



9

Care and Cleaning

- Wash only with mild soap & dry with a clean cloth.

Congratulations!

You have purchased one of the many quality AVS[®] branded products offered by Lund International Inc. We take the utmost pride in our products and want you to enjoy years of satisfaction from your investment. We have made every effort to ensure that your product is top quality in terms of fit, durability, finish and ease of installation.

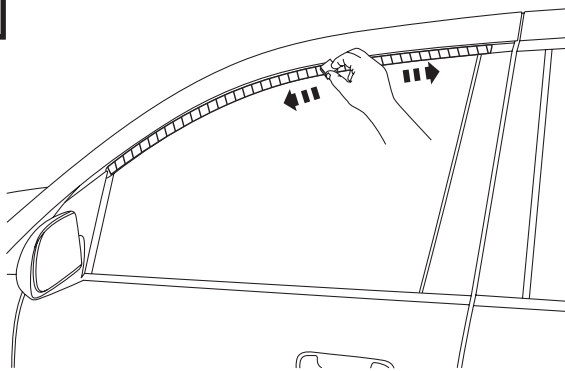


Installation Steps

NOTE: Actual application may vary slightly from illustrations.



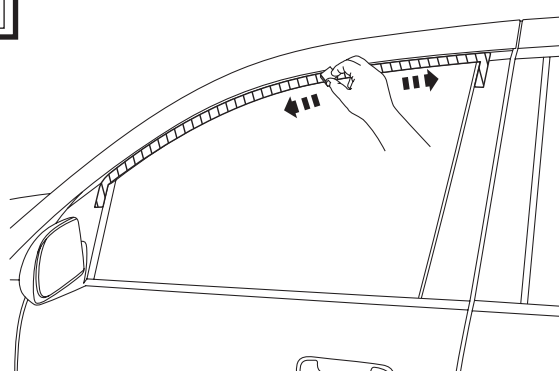
Scuff rubber mounting surface.



1



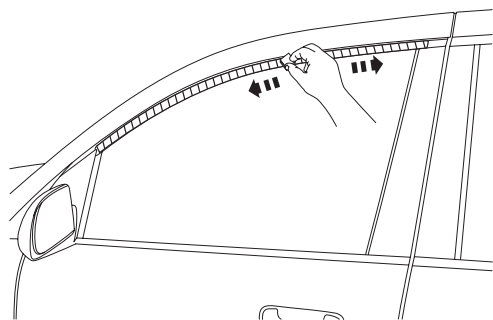
Clean mounting surface.



2



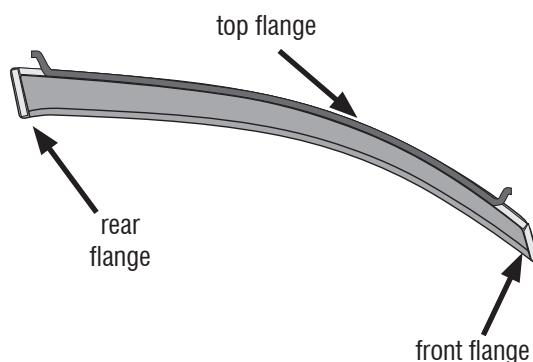
Apply surface prep to rubber surface.



3

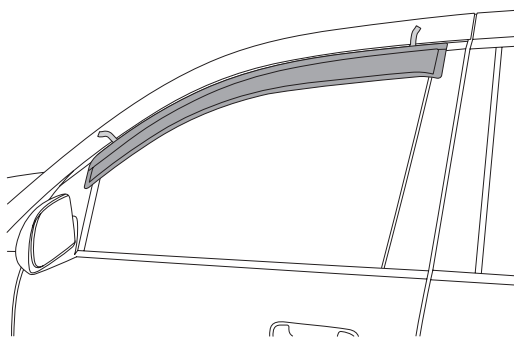
CAUTION: Read surface prep warning on page 1 before continuing.

Remove tape liner from front & rear flanges. Peel back 2" (5 cm) of tape liner from each end of top flange.



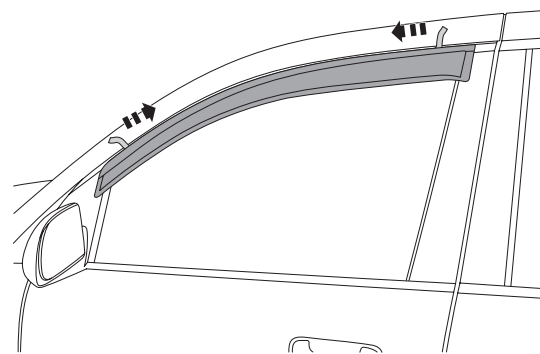
4

Attach visor to door while making sure all areas of the mounting surface are flush. **It may be necessary to open the door and apply pressure from behind the top of the frame to ensure a flush mounting surface.**



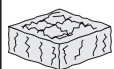
5

Remove tape liner and apply pressure to tape flanges to secure.

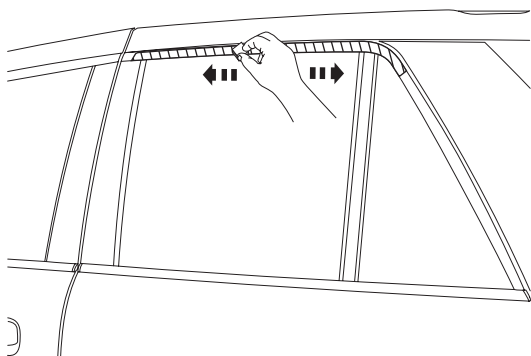


6

Installation Steps - 4 Piece Set



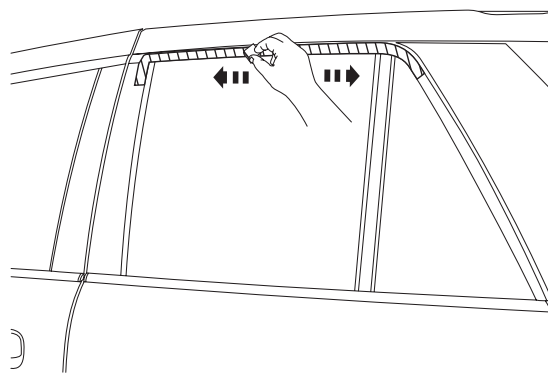
Scuff rubber mounting surface.



7



Clean mounting surface.



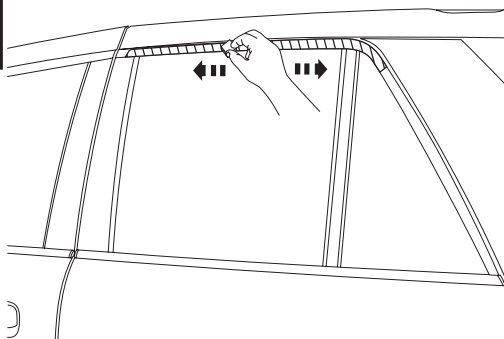
8

Installation Steps

NOTE: Actual application may vary slightly from illustrations.

SURFACE PREP
A 4298
PART #
12368011

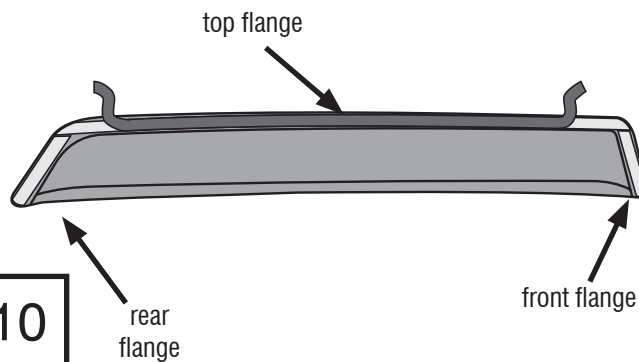
Apply surface prep to rubber surface.



9

CAUTION: Read surface prep warning on page 1 before continuing.

Remove tape liner from front & rear flanges. Peel back 2" (5 cm) of tape liner from each end of top flange.

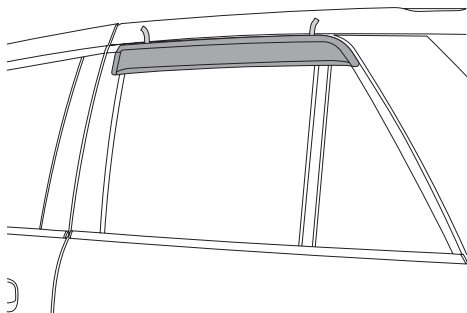


10

rear flange

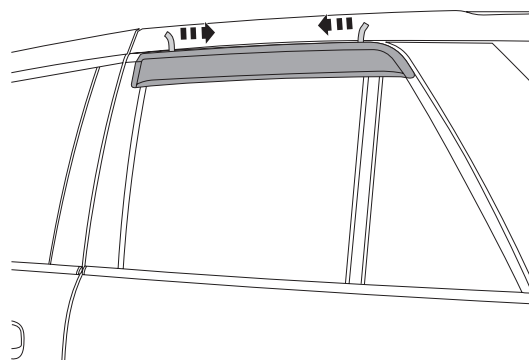
front flange

Attach visor to door while making sure all areas of the mounting surface are flush. **It may be necessary to open the door and apply pressure from behind the top of the frame to ensure a flush mounting surface.**



11

Remove tape liner and apply pressure to tape flanges to secure.



12

Repeat **Steps 1-12** for passenger side.

Care and Cleaning

- Wash only with mild soap & dry with a clean cloth.

Congratulations!

You have purchased one of the many quality Auto Ventshade™ branded products offered by Lund International, Inc. We take the utmost pride in our products and want you to enjoy years of satisfaction from your investment. We have made every effort to ensure that your product is top quality in terms of fit, durability, finish and ease of installation.

