

# Installation Instructions



## Ventvisor® Deflector

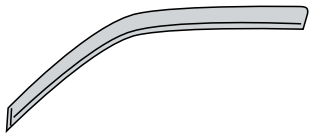
### Important Safety Information



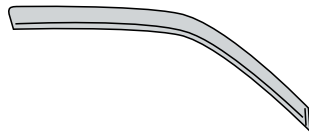
- CAUTION - Before driving, ensure that the vent visors are properly secured to vehicle.
- Do not use automatic "brush-style" car washes.
- Do not use cleaning solvents of any kind.
- Periodically check all components for tightness.

### Contents - 2 Piece Set

**NOTE:** Actual product may vary from illustration.



Front Driver Side Visor



Front Passenger Side Visor

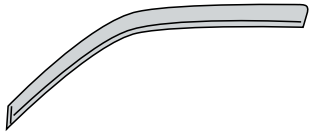


Alcohol Pad x2

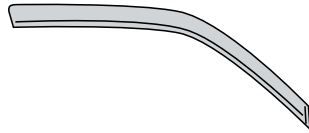


Scotch Brite Pad

### Contents - 4 Piece Set



Front Driver Side Visor



Front Passenger Side Visor



Rear Driver Side Visor



Rear Passenger Side Visor



Alcohol Pad x4

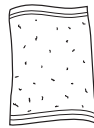


Scotch Brite Pad

### Tools Required



Car Wash Supplies



Clean Towel

### Preparation Before Painting / Installation

- A trial fit is recommended to ensure proper positioning and fit.
- Check fit of parts before painting as we will not accept the return of modified or painted parts.
- Wash your vehicle to remove any debris and/or dirt.
- Dry with a clean towel.

# Installation Instructions

I - Sheet Number ASK01 Rev.D



**For proper installation and best possible fit, please read all instructions BEFORE you begin.  
For technical assistance or to obtain missing parts, please call Customer Relations at 1-800-241-7219.**

## Important Safety Information



- CAUTION - Before driving, ensure that the Aeroskin is properly secured to vehicle.
- Do not use automatic "brush-style" car washes.
- Do not use cleaning solvents of any kind.
- Periodically check all components for tightness.

## Contents

**NOTE:** Actual product may vary from illustration.



Aeroskin



Alcohol  
Pad x2

## Tools Required



Car Wash Supplies



Clean Towel

## Preparation Before Painting / Installation

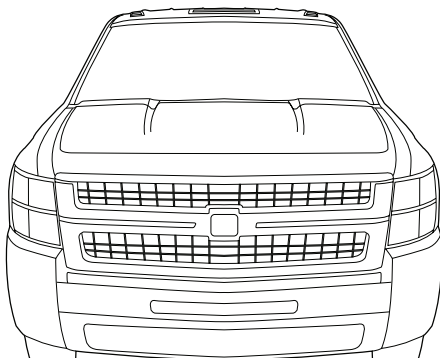
- A trial fit is recommended to ensure proper positioning and fit.
- Check fit of parts before painting as we will not accept the return of modified or painted parts.
- Wash and dry your vehicle to remove any debris and/or dirt from the installation area.

## Installation Steps

**NOTE:** Actual application may vary slightly from illustrations.



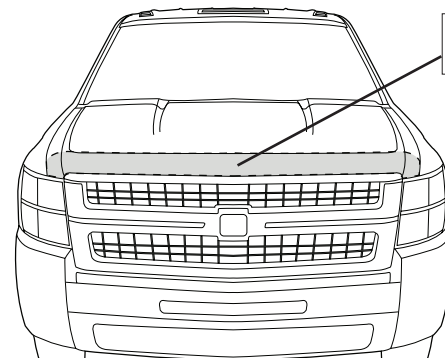
Prior to installation, wash the hood of vehicle and dry with a clean cloth.



1



Use the alcohol pads to clean the entire LEADING EDGE of the hood.



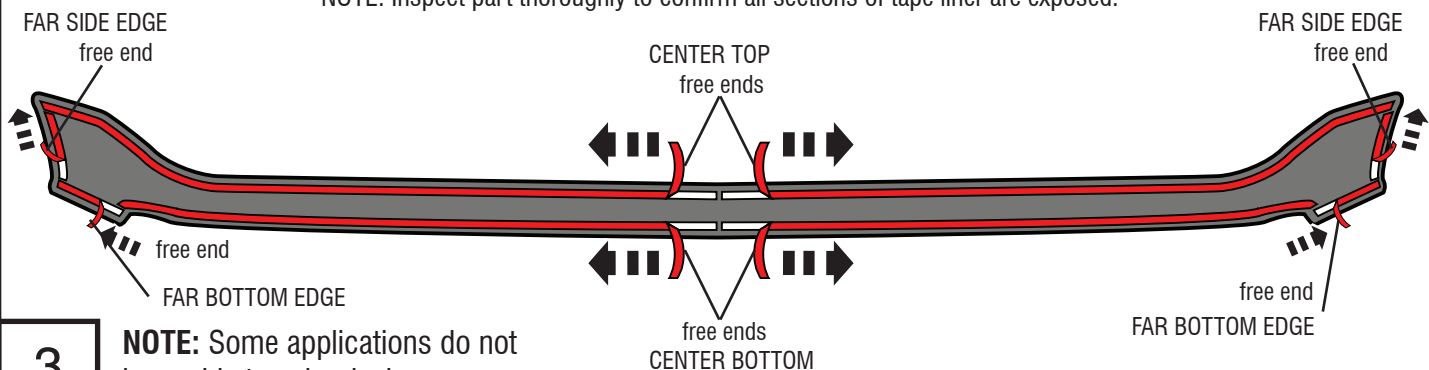
2

## Installation Steps

**NOTE:** Actual application may vary slightly from illustrations.

Expose 2" (5 cm) of tape liner from each section of Aeroskin. Ensure you can access the free ends of tape liner.

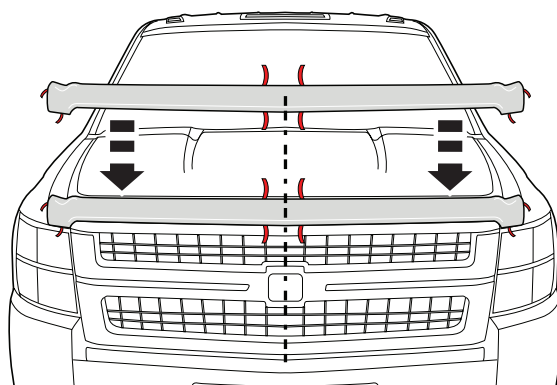
**NOTE:** Inspect part thoroughly to confirm all sections of tape liner are exposed.



3

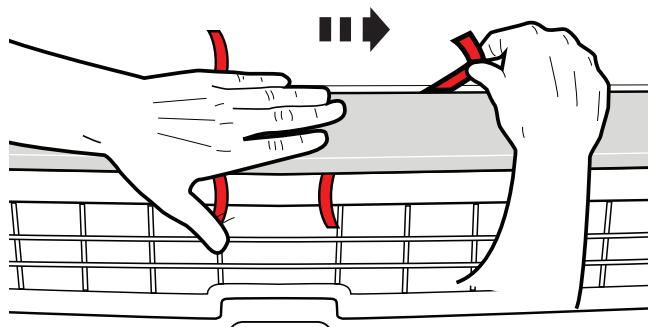
**NOTE:** Some applications do not have side tape by design.

Center the Aeroskin on the hood.



4

Begin removing remaining tape liner, beginning with the drivers side CENTER TOP. Grasping the free end, pull tape gently in 6" (15 cm) sections, while applying even pressure with hand to Aeroskin. Repeat process for passenger side.

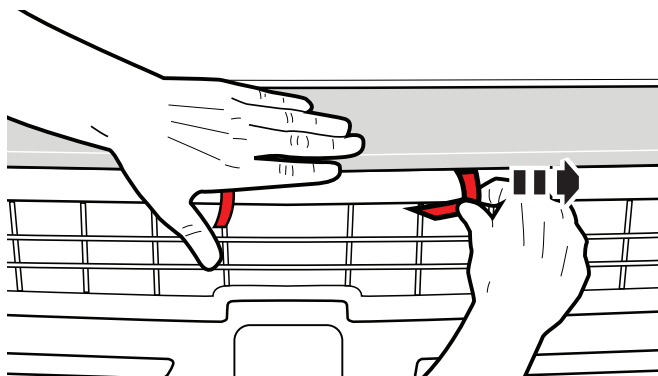


**CAUTION:** You must apply even pressure **from center section out** to each end of part, in order for proper adhesion to hood.

5

**NOTE:** Do not apply pressure closer than 6" (15 cm) to tape liner as it could accidentally break.

Using the same process, remove tape liner from the driver side CENTER BOTTOM of hood skin. Repeat for passenger side.

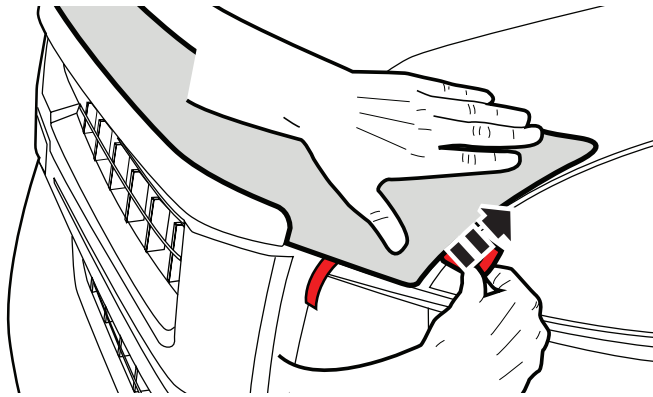


**CAUTION:** You must apply even pressure **from center section out** to each end of part, in order for proper adhesion to hood.

6

## Installation Steps **NOTE:** Actual application may vary slightly from illustrations.

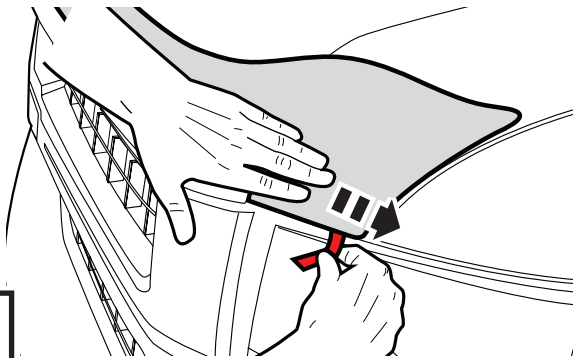
Again using the same process, remove tape liner from the driver side FAR SIDE EDGE of Aeroskin. Repeat for passenger side.



**NOTE:** Some applications do not have side tape by design.

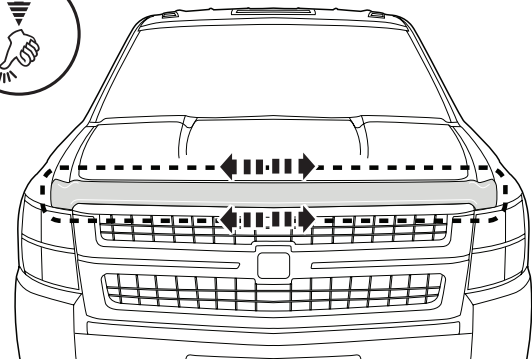
7

Again using the same process, remove tape liner from the driver side FAR BOTTOM EDGE of hood skin. Repeat for passenger side.



8

Press firmly along all edges of Aeroskin to ensure adhesion of tape to hood surface.



9

## Care and Cleaning

- Wash only with mild soap & dry with a clean cloth.

## Congratulations!

You have purchased one of the many quality AVS<sup>®</sup> branded products offered by Lund International Inc. We take the utmost pride in our products and want you to enjoy years of satisfaction from your investment. We have made every effort to ensure that your product is top quality in terms of fit, durability, finish and ease of installation.

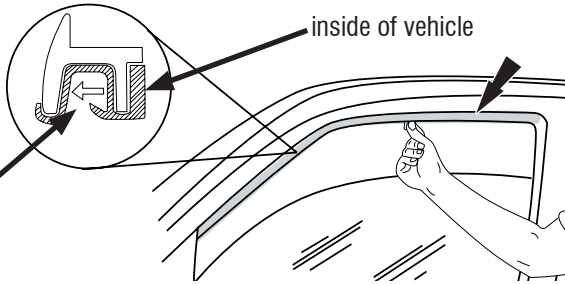


# Installation Steps

**NOTE:** Actual application may vary slightly from illustrations.



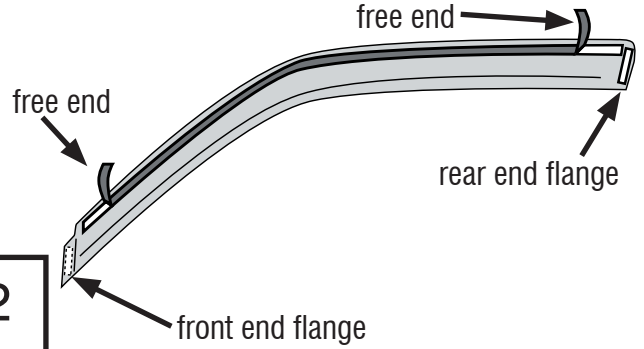
Roll down window. Buff the inside felt surface with scotch brite pad. Then clean with alcohol pad.



1

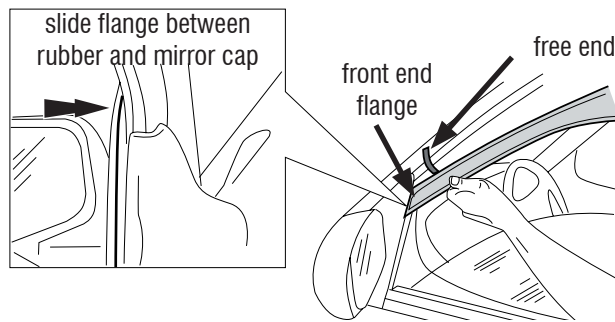
**NOTE:** visors mount on the **inside** of the window channel.

Remove the tape from the front and rear flanges. Peel back 2" (5cm) of tape liner from each end of top flange.



2

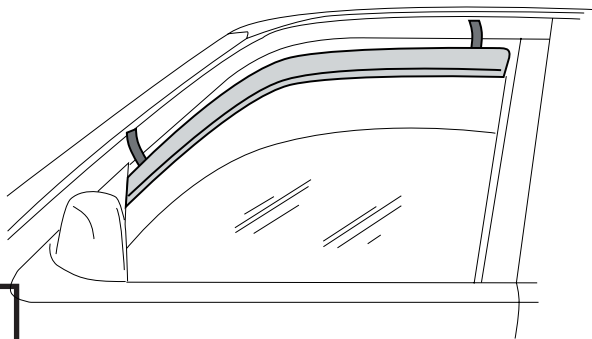
Slide the front end flange of the visor into position **outside** the window channel between the rubber trim and mirror cap. Then rotate visor up and slide top and rear flanges **inside** the window channel.



3

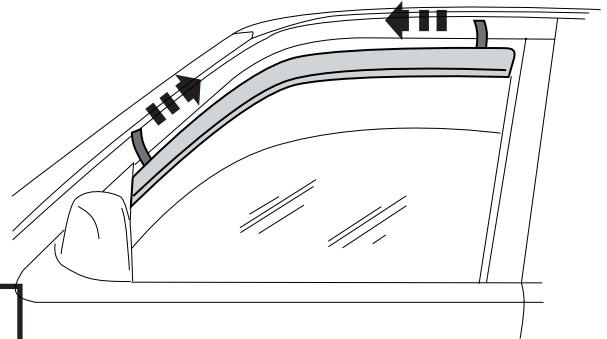
**NOTE:** Proper placement is important to prevent window from breaking flange during operation.

Press the exposed area of tape against the surface and verify position.



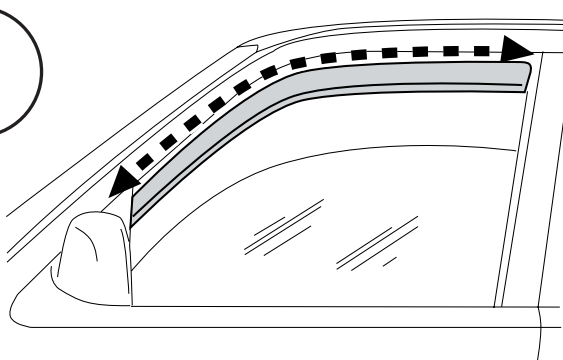
4

With the visor in its final position, remove the remainder of the tape liner by pulling on free ends.



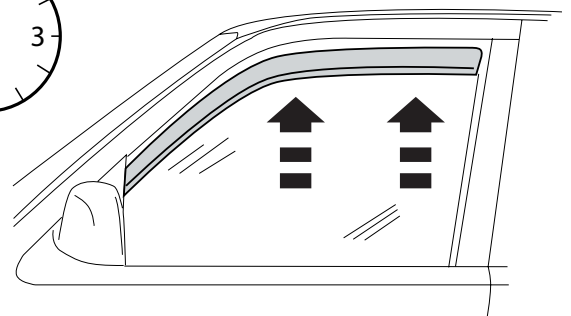
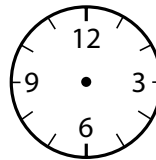
5

Apply pressure along the inside of window channel and flange edges to secure in place.



6

Roll up window and leave window up for 24 hours to ensure proper adhesion.

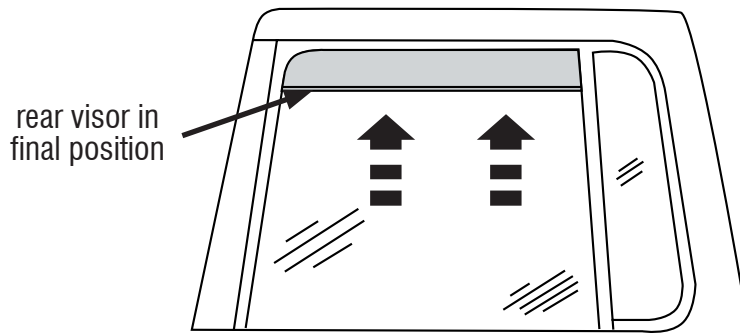


7

## 4 Piece Set

**NOTE:** Actual application may vary slightly from illustrations.

The drivers side rear visor attaches to the felt surface following the same procedure.



8

Repeat **Steps 1-8** for passenger side.

## Care and Cleaning

- Wash only with mild soap & dry with a clean cloth.

## Congratulations!

You have purchased one of the many quality Auto Ventshade™ branded products offered by Lund International, Inc. We take the utmost pride in our products and want you to enjoy years of satisfaction from your investment. We have made every effort to ensure that your product is top quality in terms of fit, durability, finish and ease of installation.

