

# Installation Instructions



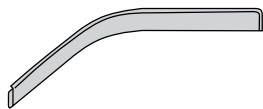
## Ventvisor® Deflector

### Important Safety Information

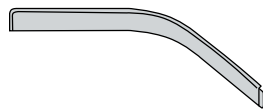


- CAUTION - Before driving, ensure that the vent visors are properly secured to vehicle.
- Do not use automatic “brush-style” car washes.
- Do not use cleaning solvents of any kind.
- Periodically check all components for tightness.
- When using Surface Prep, avoid contact with skin. Use in well ventilated area. If contact is made with material, flush area with large amounts of water. If irritation persists, get immediate medical attention. USE PREP ON RUBBER ONLY

### Contents - 2 Piece Set **NOTE:** Actual product may vary from illustration.



Front Driver Side Visor



Front Passenger Side Visor



Alcohol Pad x2

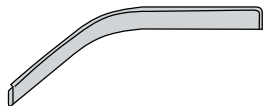


Scotch Brite Pad

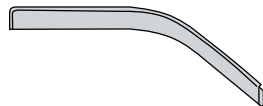


Surface Prep x2

### Contents - 4 Piece Set



Front Driver Side Visor



Front Passenger Side Visor



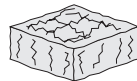
Rear Driver Side Visor



Rear Passenger Side Visor



Alcohol Pad x2



Scotch Brite Pad

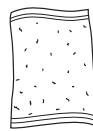


Surface Prep

### Tools Required



Car Wash Supplies



Clean Towel

### Preparation Before Painting / Installation

- A trial fit is recommended to ensure proper positioning and fit.
- Check fit of parts before painting as we will not accept the return of modified or painted parts.
- Wash your vehicle to remove any debris and/or dirt.
- Dry with a clean towel.

# Installation Instructions



## Important Safety Information



- CAUTION - Before driving, ensure that the Aeroskin is properly secured to vehicle.
- Do not use automatic "brush-style" car washes.
- Do not use cleaning solvents of any kind.
- Periodically check all components for tightness.

## Contents

**NOTE:** Actual product may vary from illustration.



Aeroskin



Alcohol Pad x2

## Tools Required



Car Wash Supplies



Clean Towel

## Preparation Before Painting / Installation

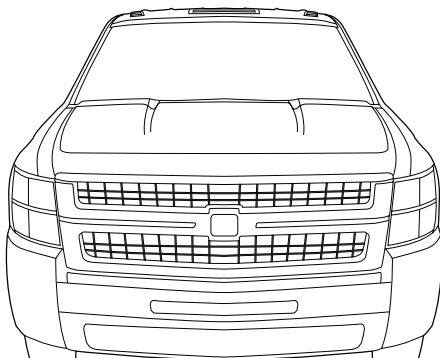
- A trial fit is recommended to ensure proper positioning and fit.
- Check fit of parts before painting as we will not accept the return of modified or painted parts.
- Wash and dry your vehicle to remove any debris and/or dirt from the installation area.

## Installation Steps

**NOTE:** Actual application may vary slightly from illustrations.



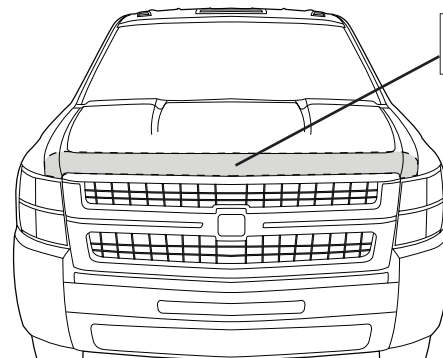
Prior to installation, wash the hood of vehicle and dry with a clean cloth.



1



Use the alcohol pads to clean the entire LEADING EDGE of the hood.



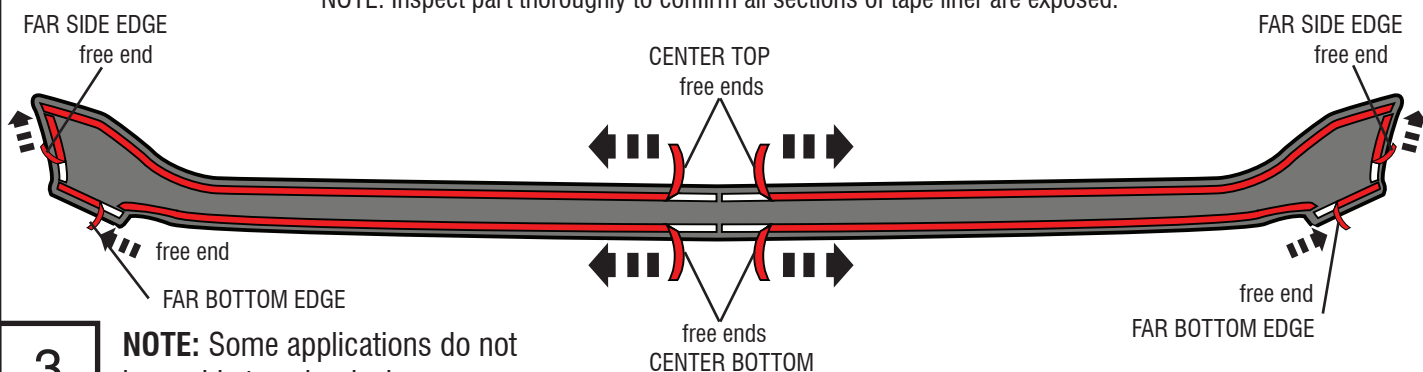
2

## Installation Steps

**NOTE:** Actual application may vary slightly from illustrations.

Expose 2" (5 cm) of tape liner from each section of Aeroskin. Ensure you can access the free ends of tape liner.

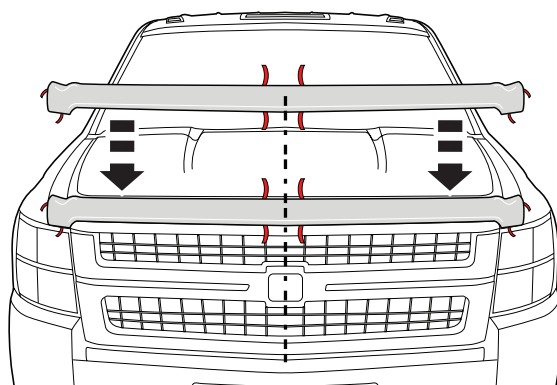
**NOTE:** Inspect part thoroughly to confirm all sections of tape liner are exposed.



3

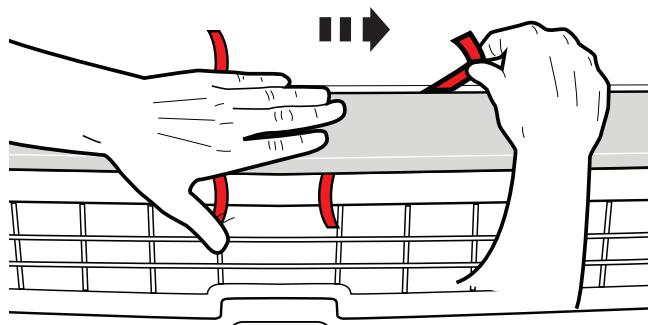
**NOTE:** Some applications do not have side tape by design.

Center the Aeroskin on the hood.



4

Begin removing remaining tape liner, beginning with the drivers side CENTER TOP. Grasping the free end, pull tape gently in 6" (15 cm) sections, while applying even pressure with hand to Aeroskin. Repeat process for passenger side.

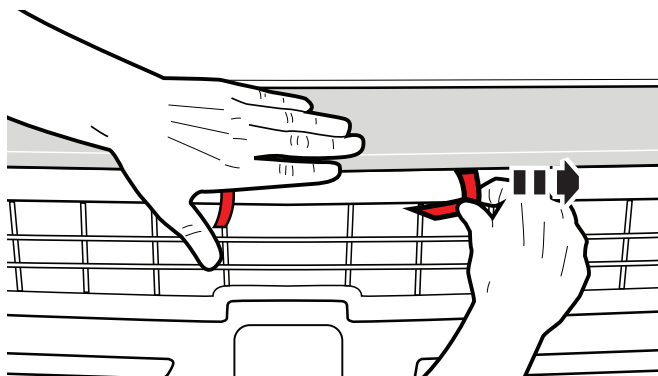


**CAUTION:** You must apply even pressure **from center section out** to each end of part, in order for proper adhesion to hood.

5

**NOTE:** Do not apply pressure closer than 6" (15 cm) to tape liner as it could accidentally break.

Using the same process, remove tape liner from the driver side CENTER BOTTOM of hood skin. Repeat for passenger side.

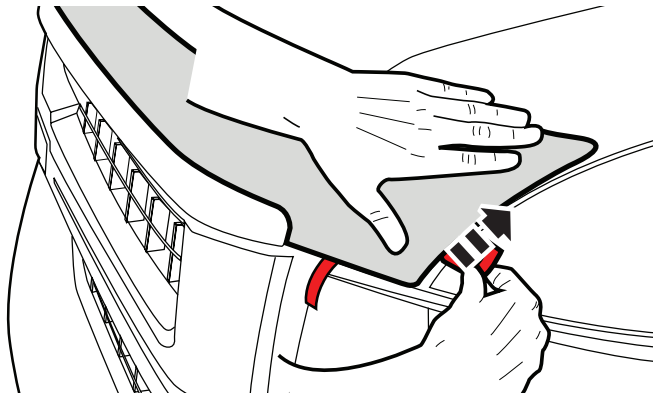


**CAUTION:** You must apply even pressure **from center section out** to each end of part, in order for proper adhesion to hood.

6

## Installation Steps **NOTE:** Actual application may vary slightly from illustrations.

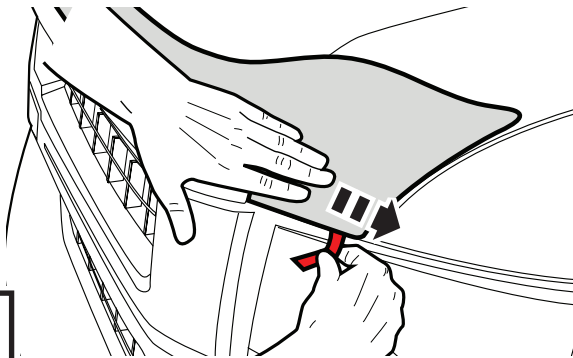
Again using the same process, remove tape liner from the driver side FAR SIDE EDGE of Aeroskin. Repeat for passenger side.



**NOTE:** Some applications do not have side tape by design.

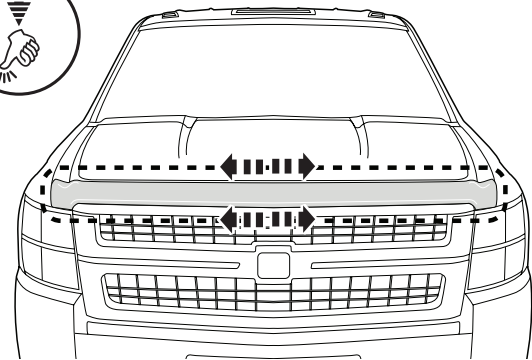
7

Again using the same process, remove tape liner from the driver side FAR BOTTOM EDGE of hood skin. Repeat for passenger side.



8

Press firmly along all edges of Aeroskin to ensure adhesion of tape to hood surface.



9

## Care and Cleaning

- Wash only with mild soap & dry with a clean cloth.

## Congratulations!

You have purchased one of the many quality AVS<sup>®</sup> branded products offered by Lund International Inc. We take the utmost pride in our products and want you to enjoy years of satisfaction from your investment. We have made every effort to ensure that your product is top quality in terms of fit, durability, finish and ease of installation.



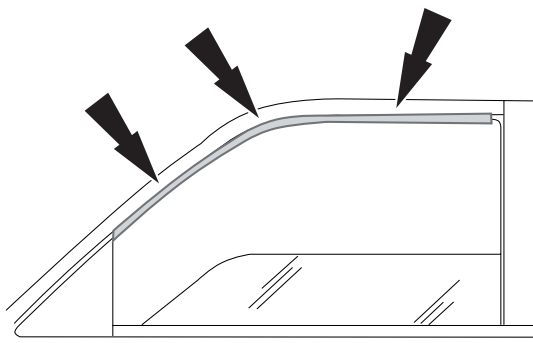
# Installation Steps

**NOTE:** Actual application may vary slightly from illustrations.



Buff the top of the door trim with the scotch brite pad. Then clean trim and surface where visor will mount with an alcohol pad.

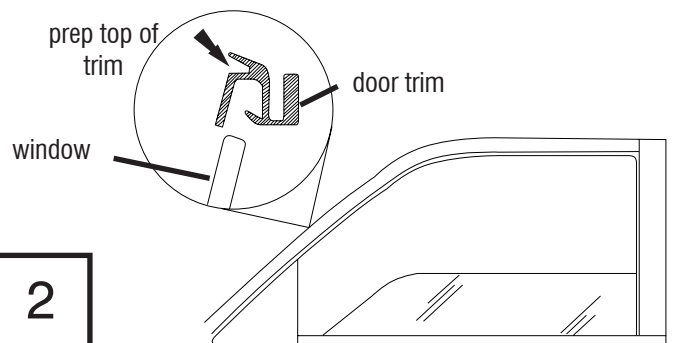
Alcohol Pad



1

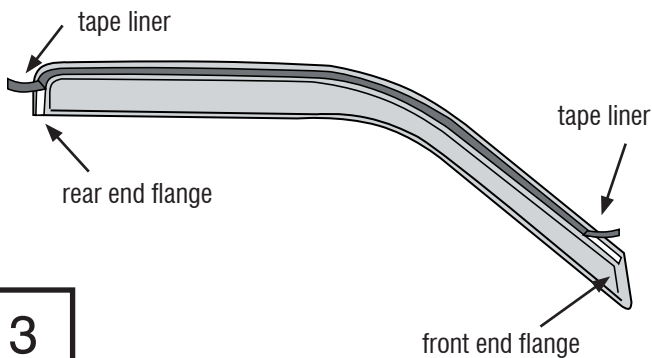


Apply one coat of surface prep to rubber trim. Prep rubber trim on both sides before installing visors.



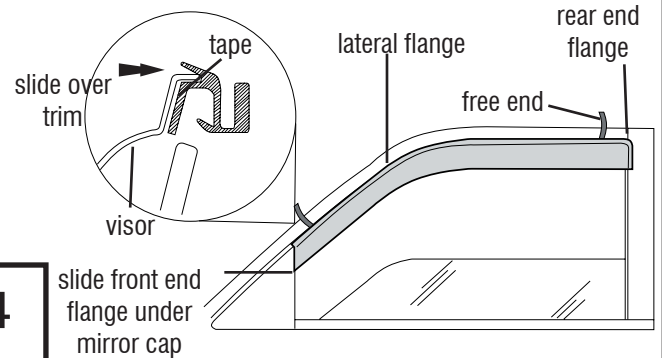
2

Peel back 2" (5cm) of tape liner from the front and rear flanges.



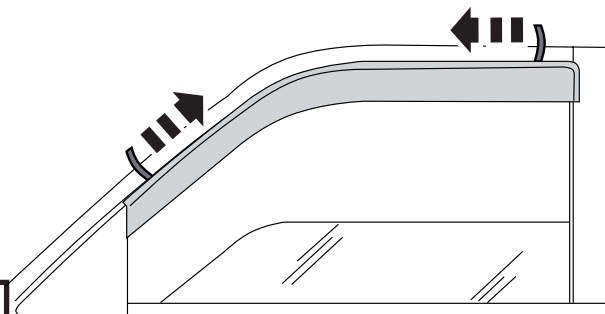
3

Align the driver side visor with previously cleaned door trim. Slide the front end flange under the mirror cap. Rear and lateral flanges attach directly to previously cleaned surfaces.



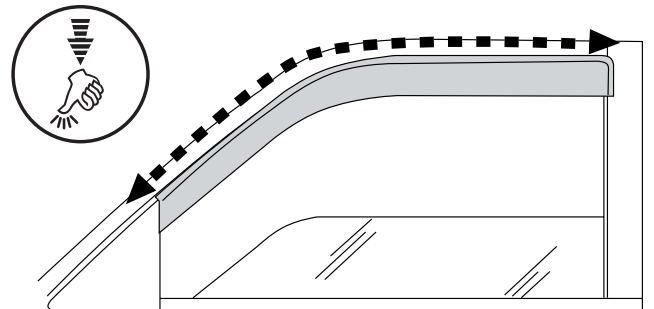
4

With the visor in its final position, remove the remainder of the tape liner by pulling on free ends.



5

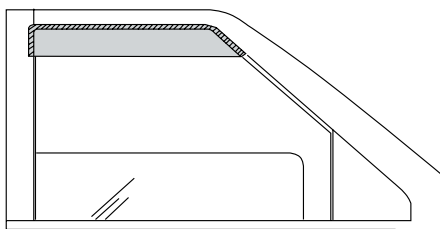
Apply pressure along flange edges to ensure proper adhesion.



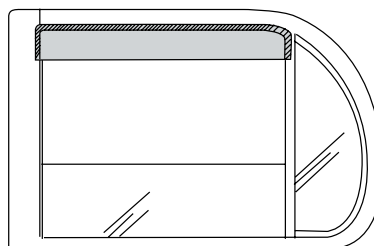
6

Repeat **Steps 1-6** for passenger side.

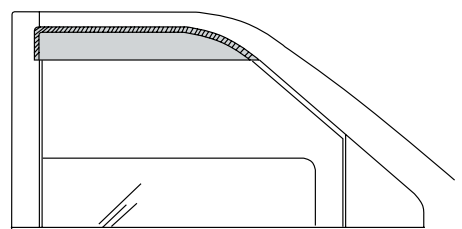
The rear visor attaches to the door trim following the same procedure as the front visor. Refer to the correct figure for your particular application.



**figure 7a:** Dodge Intrepid



**figure 7b:** Chrysler LHS/New Yorker



**figure 7c:** Eagle Vision/Chrysler Concorde

7

## Care and Cleaning

- Wash only with mild soap & dry with a clean cloth.

## Congratulations!

You have purchased one of the many quality Auto Ventshade™ branded products offered by Lund International, Inc. We take the utmost pride in our products and want you to enjoy years of satisfaction from your investment. We have made every effort to ensure that your product is top quality in terms of fit, durability, finish and ease of installation.

