

# Installation Instructions



AUTO VENT SHADE™

## Ventvisor® Deflector

### Important Safety Information



- CAUTION - Before driving, ensure that the vent visor is properly secured to vehicle.
- Do not use automatic "brush-style" car washes.
- Do not use cleaning solvents of any kind.
- Periodically check all components for tightness.

### Contents

**NOTE:** Actual product may vary from illustration.



Driver Side Visor



Passenger Side Visor



Alcohol Pad x2

### Tools Required



Car Wash Supplies



Clean Towel

### Preparation Before Painting / Installation

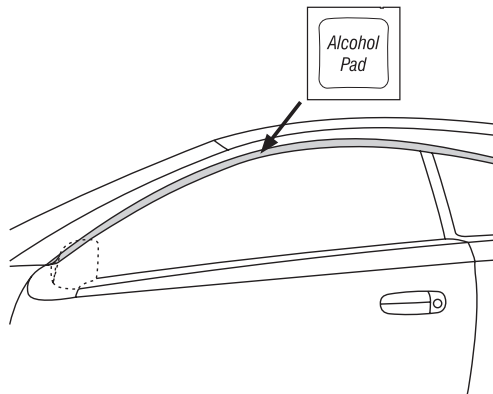
- A trial fit is recommended to ensure proper positioning and fit.
- Check fit of parts before painting as we will not accept the return of modified or painted parts.
- Wash and dry your vehicle to remove any debris and/or dirt from the installation area.

### Installation Steps

**NOTE:** Actual application may vary slightly from illustrations.

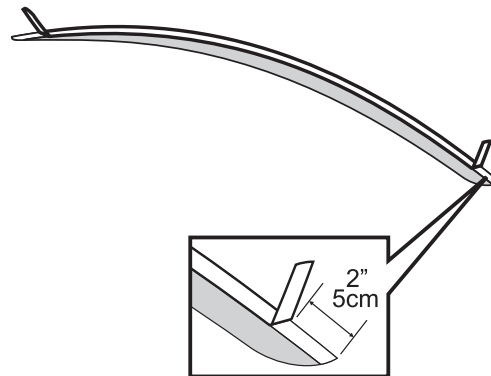


Clean the rubber door trim with alcohol pad.



1

Peel back 2" of tape liner.

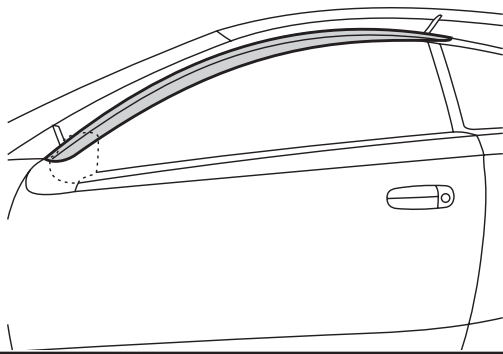


2

## Installation Steps

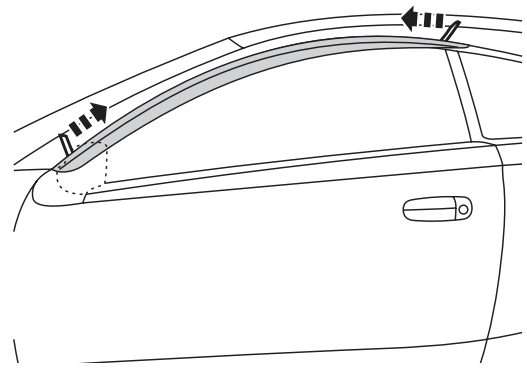
**NOTE:** Actual application may vary slightly from illustrations.

Lightly attach visor to top edge of rubber trim. Open door to check glass clearance. Adjust position of visor if necessary.



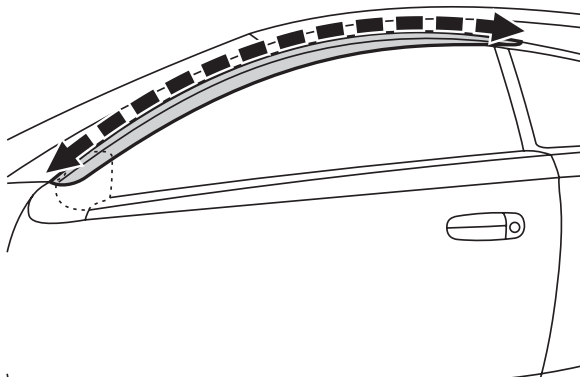
3

Remove tape liner by pulling on free ends.



4

Apply pressure along tape flange to secure.



5

Repeat steps 1 through 5 for passenger side visor.

## Care and Cleaning

- Wash only with mild soap & dry with a clean cloth.

## Congratulations!

You have purchased one of the many quality Auto Ventshade™ branded products offered by Lund International, Inc. We take the utmost pride in our products and want you to enjoy years of satisfaction from your investment. We have made every effort to ensure that your product is top quality in terms of fit, durability, finish and ease of installation.

