

Installation Instructions



AUTO VENT SHADE™

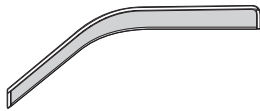
Ventvisor® Deflector

Important Safety Information

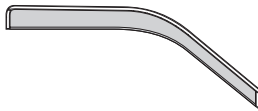


- CAUTION - Before driving, ensure that the vent visors are properly secured to vehicle.
- Do not use automatic “brush-style” car washes.
- Do not use cleaning solvents of any kind.
- Periodically check all components for tightness.
- When using Surface Prep, avoid contact with skin. Use in well ventilated area. If contact is made with material, flush area with large amounts of water. If irritation persists, get immediate medical attention. USE PREP ON RUBBER ONLY

Contents - 2 Piece Set



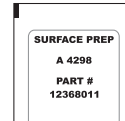
Front Driver Visor



Front Passenger Visor

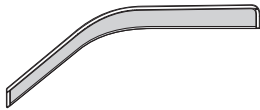


Alcohol Pad x2

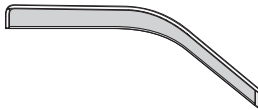


Surface Prep Pad x2

Contents - 4 Piece Set



Front Driver Visor



Front Passenger Visor



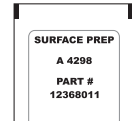
Rear Driver's Visor



Rear Passenger's Visor



Alcohol Pad x2



Surface Prep Pad x2

Tools Required



Car Wash Supplies



Clean Towel

Preparation Before Painting / Installation

- Please review your warranty card **BEFORE** installation of this product.
- A trial fit is recommended to ensure proper positioning and fit.
- Check fit of parts before painting as we will not accept the return of modified or painted parts.
- Wash and dry your vehicle to remove any debris and/or dirt from the installation area.

Front Visor Installation Steps

NOTE: Actual application may vary slightly from illustrations.

Alcohol Pad

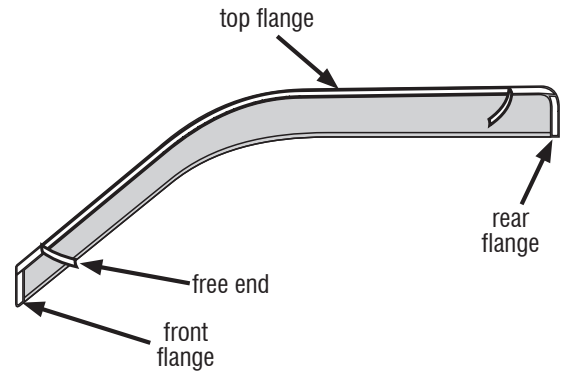
Clean window channel with alcohol pad. Apply surface prep to cleaned window channel.



1

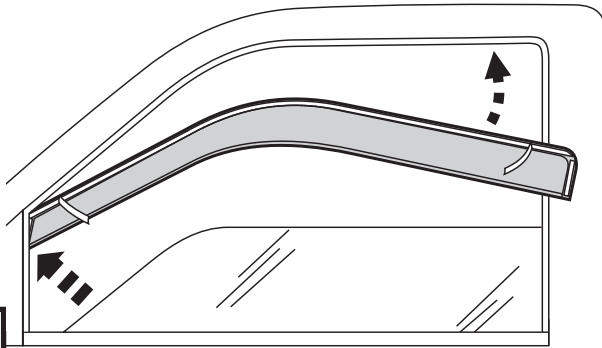
NOTE: See surface prep warning on page 1.

Remove tape liner from front & rear flanges. Peel back 2" (5 cm) of tape liner from each end of top flange.



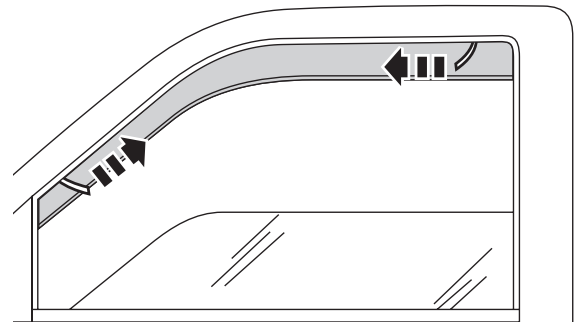
2

Insert visor into window channel, front flange first.



3

Remove tape liner by pulling on free ends. Raise window slowly and leave up for 24 hours to secure visor to window channel.



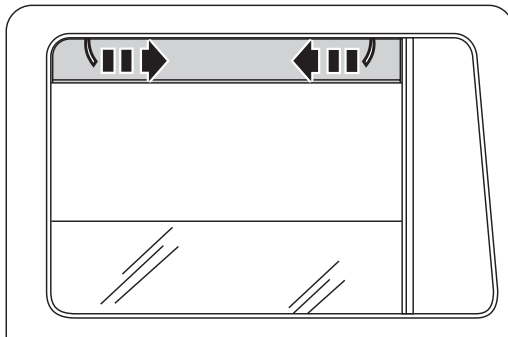
4

4 Piece Set

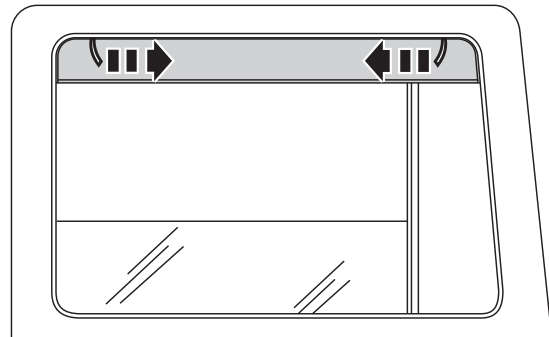
Install the rear visors using the same preparation and installation methods as the front visor.

Alcohol Pad

SURFACE PREP
A 4298
PART #
12368011



or



5

Care and Cleaning

- Wash only with mild soap & dry with a clean cloth.

Congratulations!

You have purchased one of the many quality Auto Ventshade™ branded products offered by Lund International, Inc. We take the utmost pride in our products and want you to enjoy years of satisfaction from your investment. We have made every effort to ensure that your product is top quality in terms of fit, durability, finish and ease of installation.

