

Installation Instructions



Ventvisor® Deflector

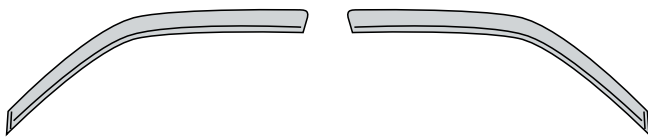
Important Safety Information



- CAUTION - Before driving, ensure that the vent visors are properly secured to vehicle.
- Do not use automatic "brush-style" car washes.
- Do not use cleaning solvents of any kind.
- Periodically check all components for tightness.
- When using Surface Prep, avoid contact with skin. Use in well ventilated area. If contact is made with material, flush area with large amounts of water. If irritation persists, get immediate medical attention. USE PREP ON RUBBER ONLY

Contents - 2 Piece Set

NOTE: Actual product may vary from illustration.



Front Driver
Side Visor

Front Passenger
Side Visor



Alcohol
Pad x2

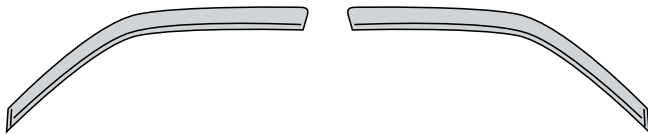


Scotch Brite Pad



Surface Prep

Contents - 4 Piece Set



Front Driver
Side Visor

Front Passenger
Side Visor



Rear Driver
Side Visor



Rear Passenger
Side Visor



Alcohol Pad x4



Scotch Brite Pad



Surface Prep

Tools Required



Car Wash Supplies



Clean Towel

Preparation Before Painting / Installation

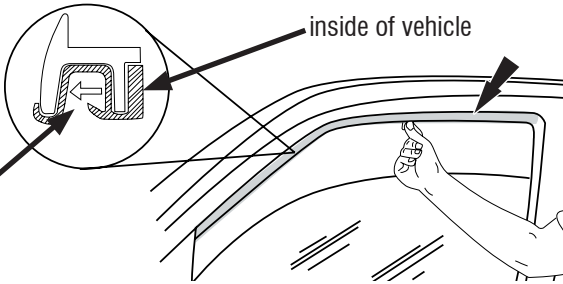
- A trial fit is recommended to ensure proper positioning and fit.
- Check fit of parts before painting as we will not accept the return of modified or painted parts.
- Wash your vehicle to remove any debris and/or dirt.
- Dry with a clean towel.

Installation Steps

NOTE: Actual application may vary slightly from illustrations.

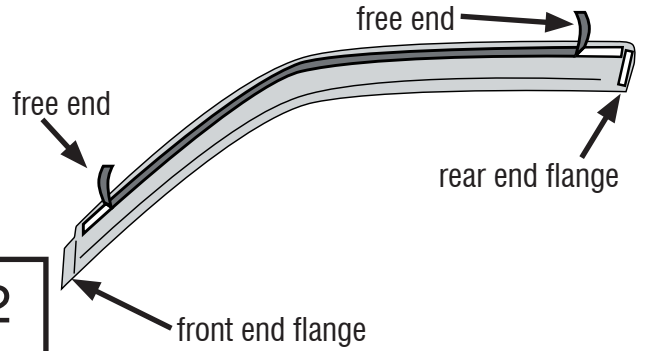


Roll down window. Buff the inside felt surface with scotch brite pad. Then clean with alcohol pad.



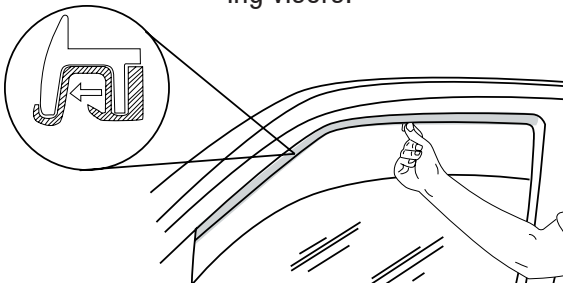
1

Remove the tape from the rear flanges. Peel back 2" (5cm) of tape liner from each end of top flange.



2

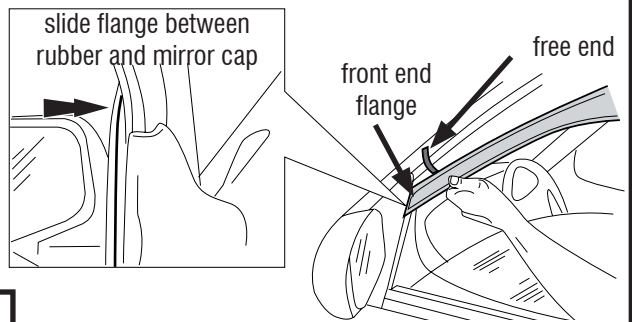
Apply one coat of surface prep to rubber trim. Prep rubber trim on both sides before installing visors.



3

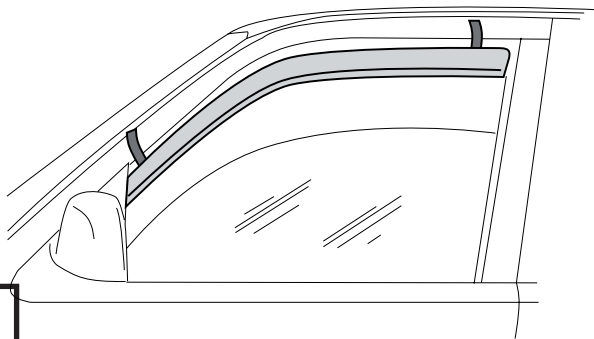
NOTE: See warning on page 1 regarding surface prep

Insert visor into window channel, front flange first, then seat rear flange.



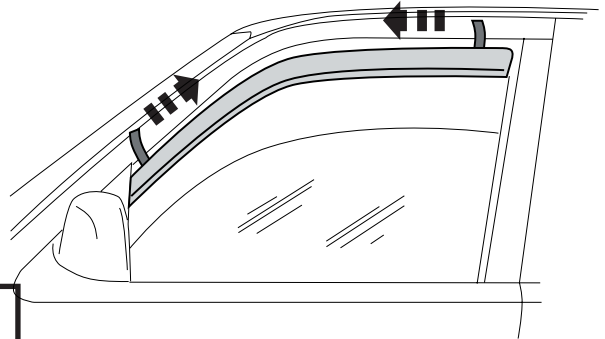
4

Press the exposed area of tape against the surface and verify position.



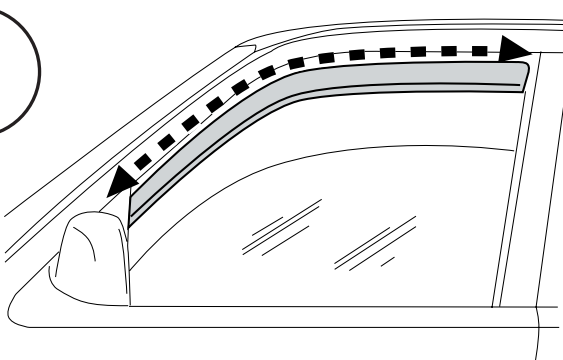
5

With the visor in its final position, remove the remainder of the tape liner by pulling on free ends.



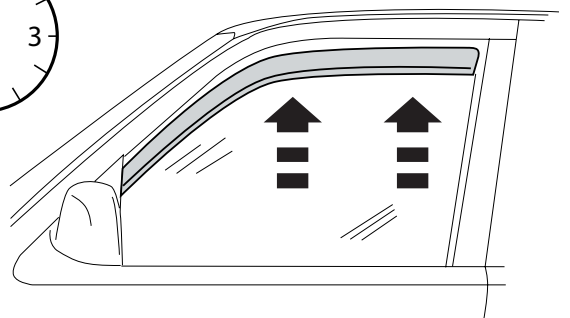
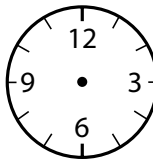
6

Apply pressure along the inside of window channel and flange edges to secure in place.



7

Roll up window and leave window up for 24 hours to ensure proper adhesion.

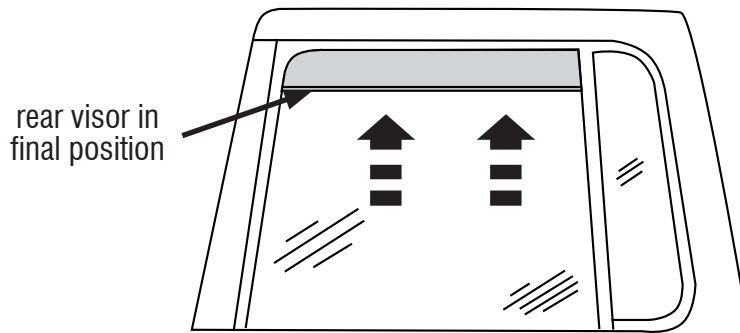


8

4 Piece Set

NOTE: Actual application may vary slightly from illustrations.

Install the rear visors using the same preparation and installation methods as the front visor.



9

Repeat **Steps 1-9** for passenger side.

Care and Cleaning

- Wash only with mild soap & dry with a clean cloth.

Congratulations!

You have purchased one of the many quality Auto Ventshade™ branded products offered by Lund International, Inc. We take the utmost pride in our products and want you to enjoy years of satisfaction from your investment. We have made every effort to ensure that your product is top quality in terms of fit, durability, finish and ease of installation.

