

Installation Instructions



Ventvisor® Deflector

Important Safety Information



- CAUTION - Before driving, ensure that the vent visor deflector is properly anchored to vehicle.
- Do not use automatic “brush-style” car washes.
- Do not use cleaning solvents of any kind.
- Periodically check all components for tightness.

Contents - 2 Piece Set



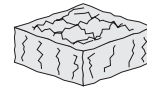
Front Driver Side Visor



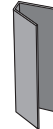
Front Passenger Side Visor



Alcohol Pad x2



Scotch Brite Pad



C1 clips x4

Contents - 4 Piece Set



Front Driver Side Visor



Front Passenger Side Visor



Rear Driver Side Visor



Rear Passenger Side Visor



C1 clips x6



Alcohol Pad x4



Scotch Brite Pad

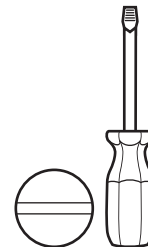
Tools Required



Car Wash Supplies



Clean Towel



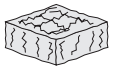
Flathead screwdriver

Preparation Before Painting / Installation

- A trial fit is recommended to ensure proper positioning and fit.
- Check fit of parts before painting as we will not accept the return of modified or painted parts.
- Wash your vehicle's door window channels to remove any debris and/or dirt.
- Dry the door window channels with a clean towel.

Installation Steps

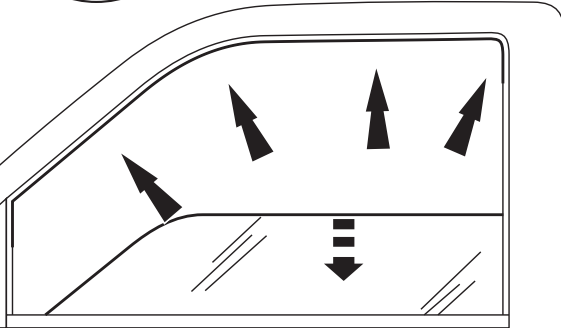
NOTE: Actual application may vary slightly from illustrations.



Buff the inside of window channel with Scotch Brite scuff pad. Then clean the channel with an alcohol pad.



1



Remove tape liner from front & rear flanges. Peel back 2" of tape liner from each end of top flange.

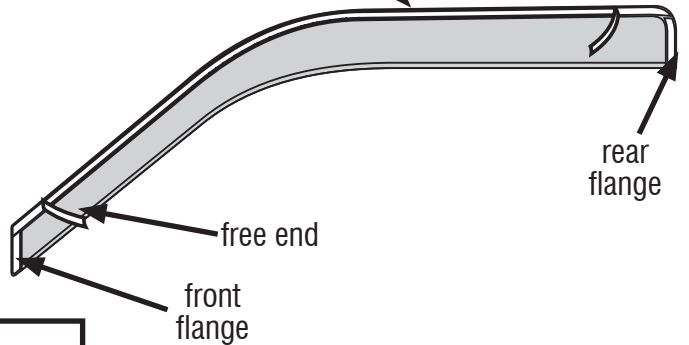
top flange

rear flange

free end

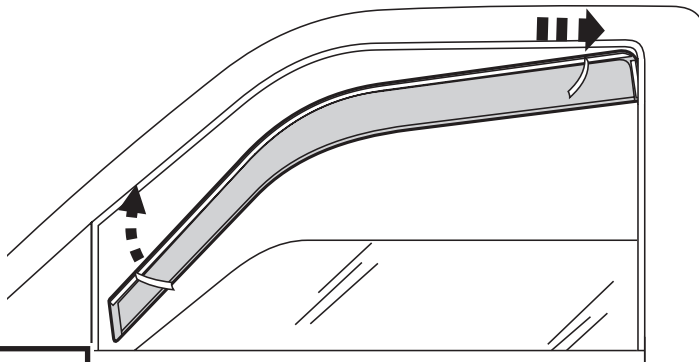
front flange

2



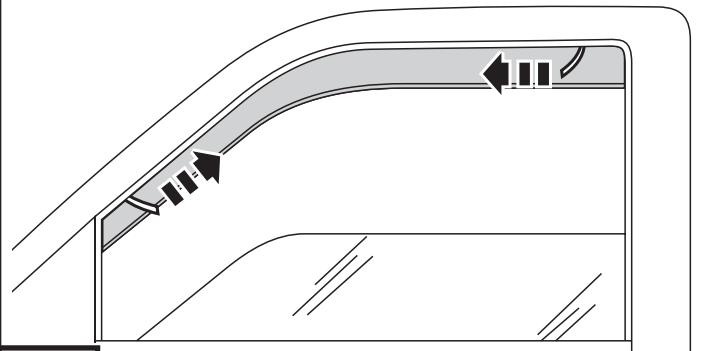
Insert visor into window channel, rear flange first.

3

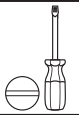


Remove remaining tape liner.

4

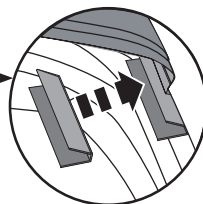


Using a flathead screwdriver install C1 clips at end of visor flanges to compress visor into rubber window channel.

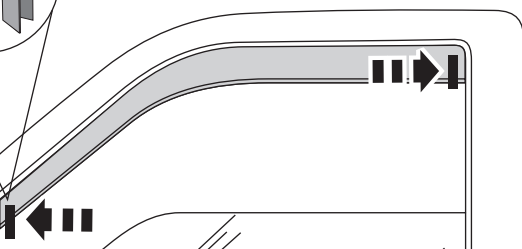


Slide rear flange under clip

C1 clip

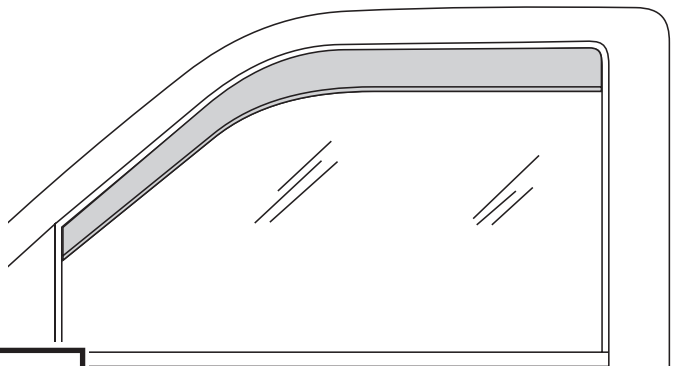


5



Raise window slowly and leave up for 24 hours to secure visor to window channel.

6



4 piece Set

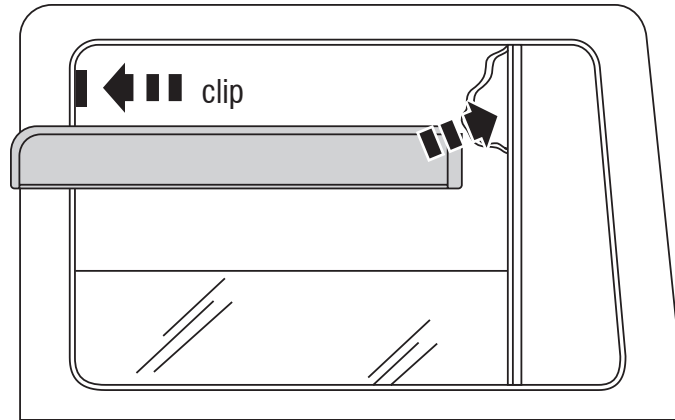


Alcohol
Pad



7

Install the rear visors using the same methods as the front visor, with the exception of the rear end flange. Remove the rubber window trim along the vertical post and slide rear end flange between the rubber and post.



Care and Cleaning

- Wash only with mild soap & dry with a clean cloth.

Congratulations!

You have purchased one of the many quality Auto Ventshade™ branded products offered by Lund International, Inc. We take the utmost pride in our products and want you to enjoy years of satisfaction from your investment. We have made every effort to ensure that your product is top quality in terms of fit, durability, finish and ease of installation.

