

Installation Instructions

Ventshade® Deflector

Important Safety Information



- CAUTION - Before driving, ensure that the vent visor is properly secured to vehicle.
- Do not use automatic "brush-style" car washes.
- Do not use cleaning solvents of any kind.
- Periodically check all components for tightness.

Contents - 2 Piece Set



Front Driver
Side Visor



Front Passenger
Side Visor



Clip x10

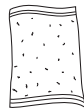


Screw x10

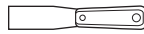
Tools Required



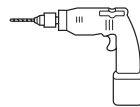
Car Wash Supplies



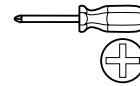
Clean Towel



Putty Knife



Drill



Phillips Screwdriver

Preparation Before Painting / Installation

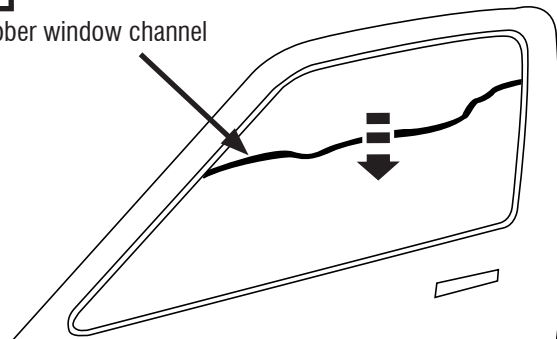
- A trial fit is recommended to ensure proper positioning and fit.
- Check fit of parts before painting as we will not accept the return of modified or painted parts.
- Wash and dry your vehicle to remove any debris and/or dirt from the installation area.

Installation Steps **NOTE:** Actual application may vary slightly from illustrations.



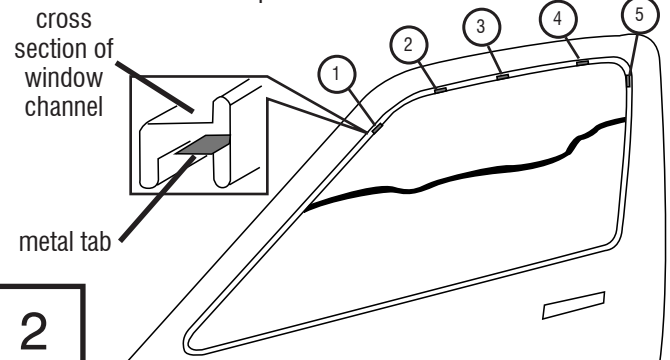
Lower window. Use a putty knife to grasp rubber window channel and pull down to the extent shown.

rubber window channel



1

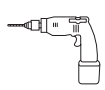
Look up into the window channel and note the position of several metal tabs. These tabs are where the clips which hold the deflector in place will be attached.



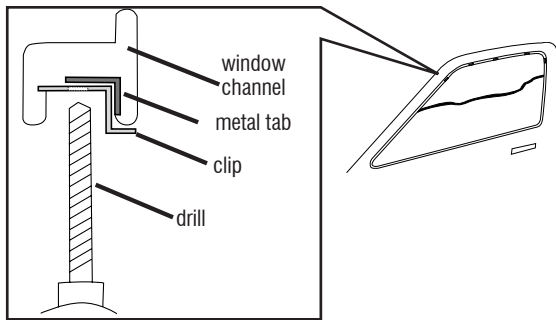
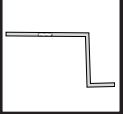
2

Installation Steps

NOTE: Actual application may vary slightly from illustrations.



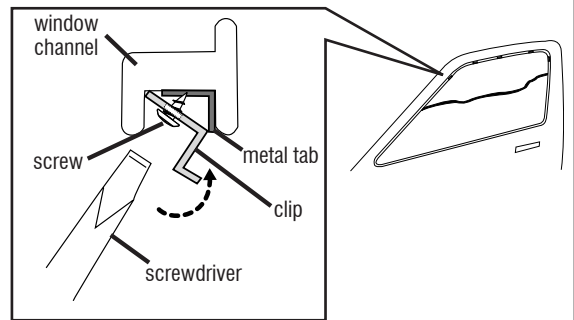
Center a clip on one of the metal tabs, as shown. Drill a 5/64" diameter hole, using the hole in the clip as a guide. **NOTE:** make sure the hole goes THROUGH the metal tab.



3



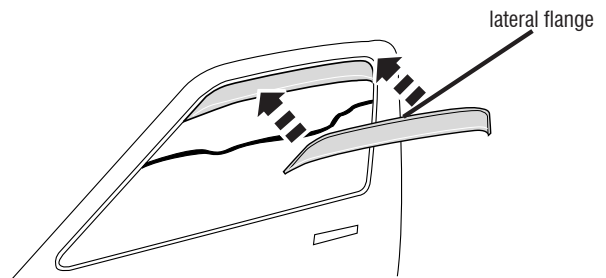
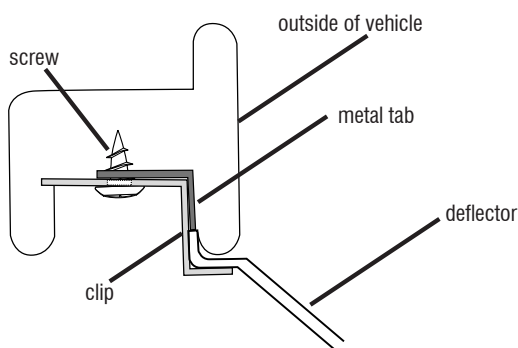
Start one screw into the clip, then place the clip on the tab where the hole was drilled. Do NOT tighten! Leave the clip loose. Repeat **Steps 1-3** for the 2nd, 3rd, and 4th clips. Set the 5th clip aside for now.



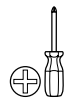
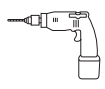
4



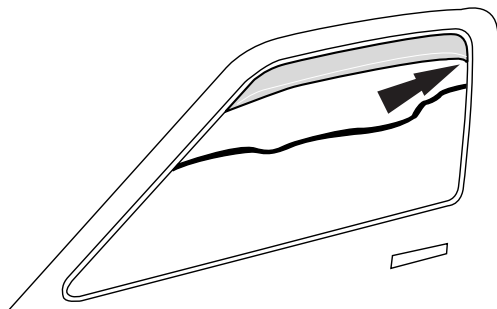
Position the deflector in the window channel making sure the lateral flange is between the clips and the window frame. Holding the deflector in place, tighten the screws **FIRMLY**.



5



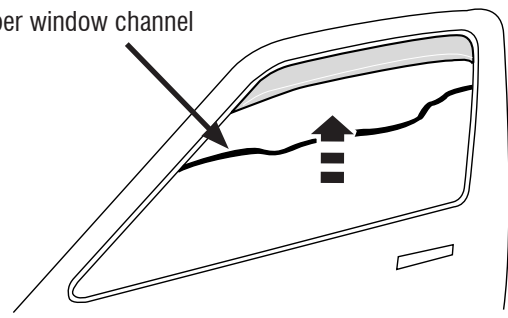
Place the 5th clip on the tab at the rear of the part. Drill a 5/64" hole using the hole in the clip as a guide. Insert the screw and tighten.



6

Replace rubber window channel.

rubber window channel



7

Repeat **Steps 1-7** for opposite side

Care and Cleaning

- Wash only with mild soap & dry with a clean cloth.

Congratulations!

You have purchased one of the many quality Auto Ventshade™ branded products offered by Lund International, Inc. We take the utmost pride in our products and want you to enjoy years of satisfaction from your investment. We have made every effort to ensure that your product is top quality in terms of fit, durability, finish and ease of installation.



When it comes to quality rain guards and wind deflectors, AVS is the brand you can depend on.