

Installation Instructions



AUTO VENT SHADE™

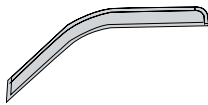
Ventvisor® Deflector

Important Safety Information

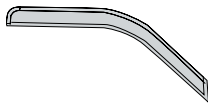


- CAUTION - Before driving, ensure that the vent visor is properly secured to vehicle.
- Do not use automatic "brush-style" car washes.
- Do not use cleaning solvents of any kind.
- Periodically check all components for tightness.

Contents - 2 Piece Set **NOTE:** Actual product may vary from illustration.



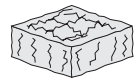
Front Driver Side Visor



Front Passenger Side Visor



Alcohol Pad x2

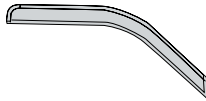


Scotch Brite pad

Contents - 4 Piece Set



Front Driver Side Visor



Front Passenger Side Visor



Rear Driver Side Visor



Rear Passenger Side Visor



Alcohol Pad x4



Scotch Brite pad

Tools Required



Car Wash Supplies



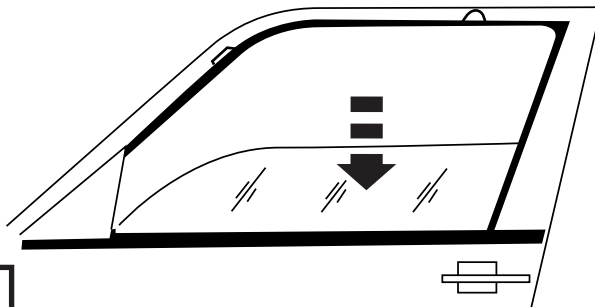
Clean Towel

Preparation Before Painting / Installation

- A trial fit is recommended to ensure proper positioning and fit.
- Check fit of parts before painting as we will not accept the return of modified or painted parts.
- Wash and dry your vehicle to remove any debris and/or dirt from the installation area.

Installation Steps **NOTE:** Actual application may vary slightly from illustrations.

Completely lower drivers side window.

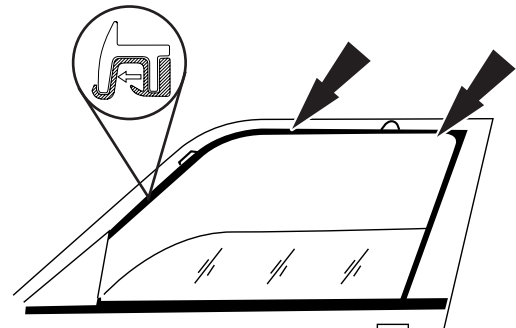


1



2

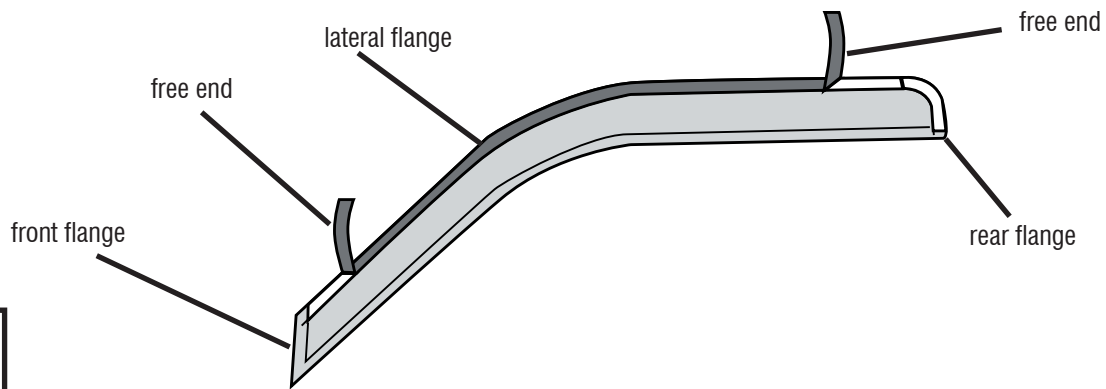
Buff the **INSIDE** of the rubber window channel with the scotch brite pad, then clean with an alcohol pad and dry with a soft cloth.



Installation Steps

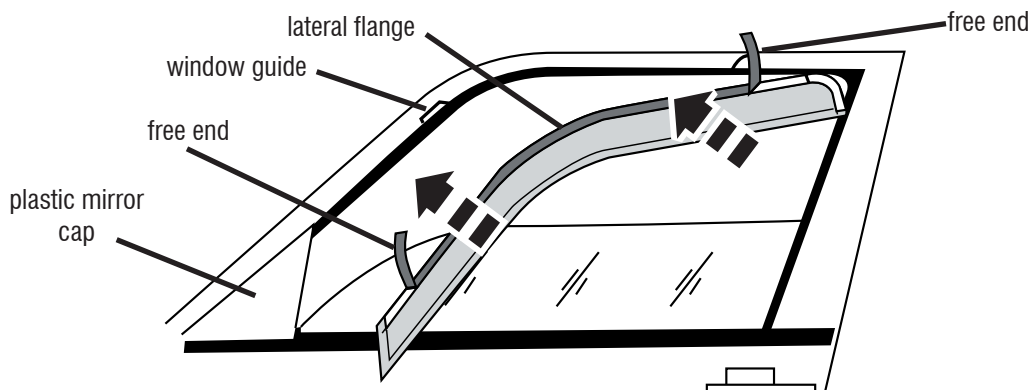
NOTE: Actual application may vary slightly from illustrations.

Remove tape liner from rear flange. Peel back 2" (5 cm) of tape liner from each end of lateral flange.



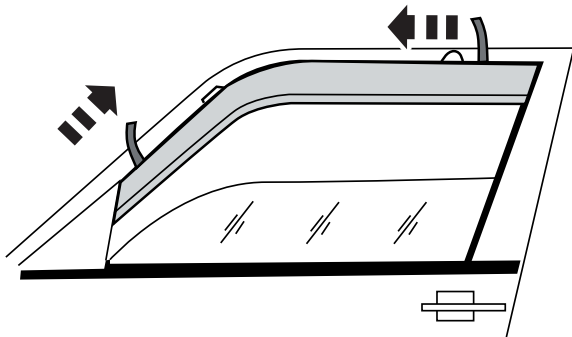
3

Place the deflector in the window frame, beginning at the rear, flexing it slightly to insert the front end flange. The front end flange will insert **BETWEEN** the rubber window channel and the mirror cap. Ensure the tape free ends are accessible.



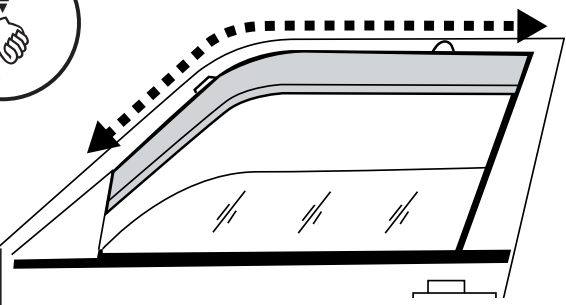
4

With the visor in its final position, remove the remaining tape liner by pulling on free ends.



5

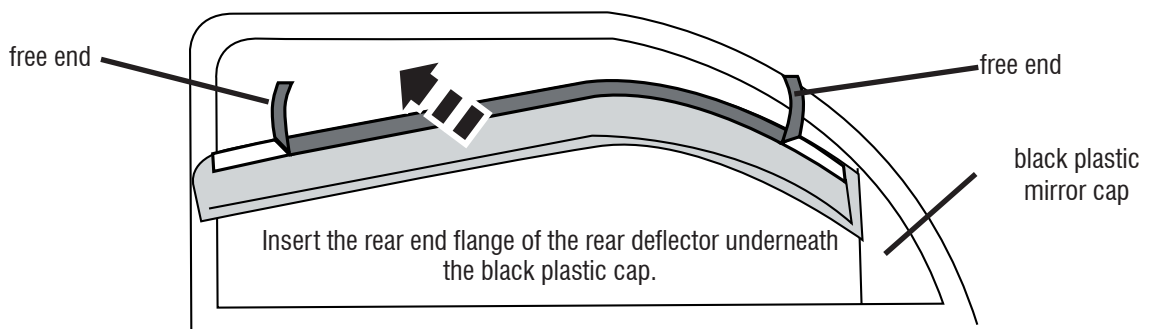
To ensure good adhesion of tape apply pressure along the backside of the visor flanges



6

4 Piece Set

The rear visor installs utilizing the same procedure as above. Insert the rear end flange behind the black plastic cap. Insert the rest of the part inside the rubber window channel

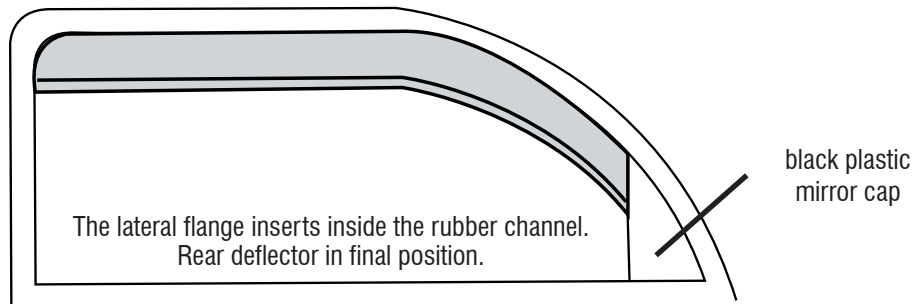


7

Installation Steps

NOTE: Actual application may vary slightly from illustrations.

Once installed, remove remaining tape liner by pulling on free ends.. Apply pressure to ensure tape adhesion. Roll up all windows and leave in this position for 24 hours to allow adhesive to cure.



8

Repeat **Steps 1-8** for opposite side.

Care and Cleaning

- Wash only with mild soap & dry with a clean cloth.

Congratulations!

You have purchased one of the many quality Auto Ventshade™ branded products offered by Lund International, Inc. We take the utmost pride in our products and want you to enjoy years of satisfaction from your investment. We have made every effort to ensure that your product is top quality in terms of fit, durability, finish and ease of installation.



When it comes to quality rain guards and wind deflectors, AVS is the brand you can depend on.