

Installation Instructions



Bugflector® - Bugflector II® - Carflector® - Chrome Hood Shield™

Important Safety Information



- CAUTION - Before driving, ensure that the hood shield is properly anchored to vehicle.
- Do not use automatic “brush-style” car washes.
- Do not use cleaning solvents of any kind.
- Periodically check all components for tightness.

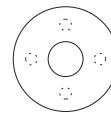
Contents NOTE: Actual product may vary from illustration.



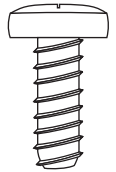
Hood Shield



Bump On x4



Plastic Washer x4
(98032)

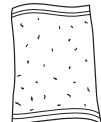


Screw x4
(98046)

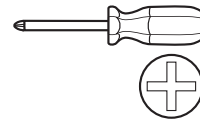
Tools Required



Car Wash Supplies



Clean Towel



Appropriate hand tools

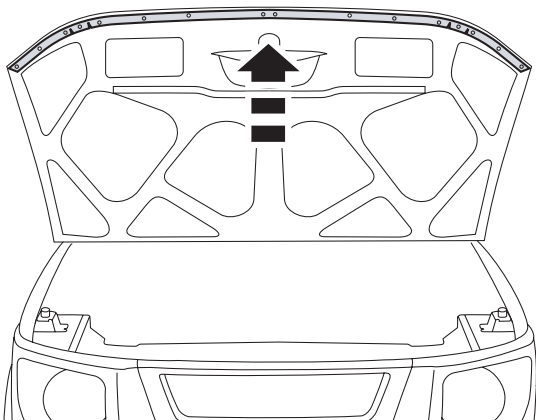
Preparation Before Painting / Installation

- A trial fit is recommended to ensure proper positioning and fit.
- Check fit of parts before painting as we will not accept the return of modified or painted parts.
- Wash your vehicle's hood to remove any debris and/or dirt.
- Dry the hood with a clean towel.
- Do NOT install hood shield if vehicle does NOT have a factory installed hood seal / gasket.

Installation Steps NOTE: Actual application may vary slightly from illustrations.

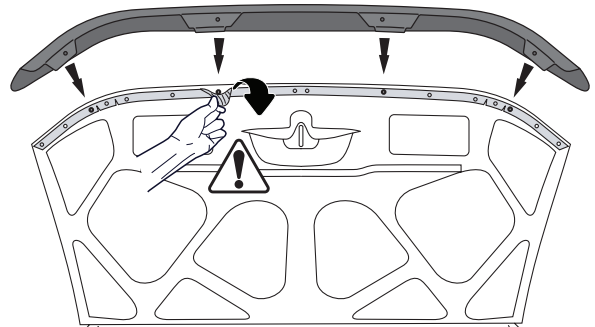
NOTE: Do NOT install hoodshield if vehicle does NOT have a factory installed front hood seal / gasket.

Open Hood.



1

Remove (4) plastic seal retaining fasteners that align with the pre-drilled holes in the hood shield. Next, carefully separate the hood seal / gasket from the areas of the hood that align with the hood shield flange.



2

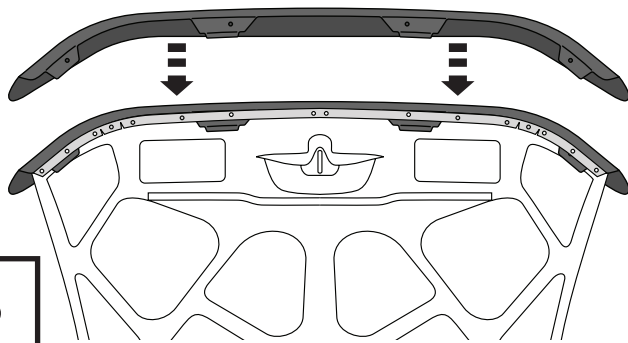


NOTE: Exercise extreme caution not to tear or damage the hood seal / gasket when separating from hood.

Installation Steps

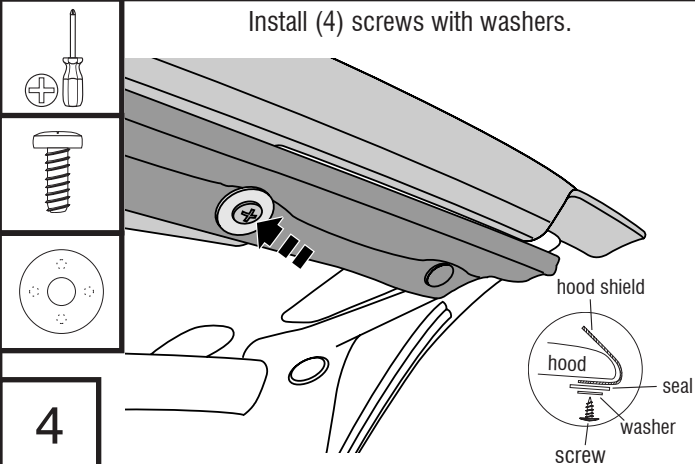
NOTE: Actual application may vary slightly from illustrations.

Reposition the hood shield with the tabs sliding between the hood and rubber seal and align with holes.



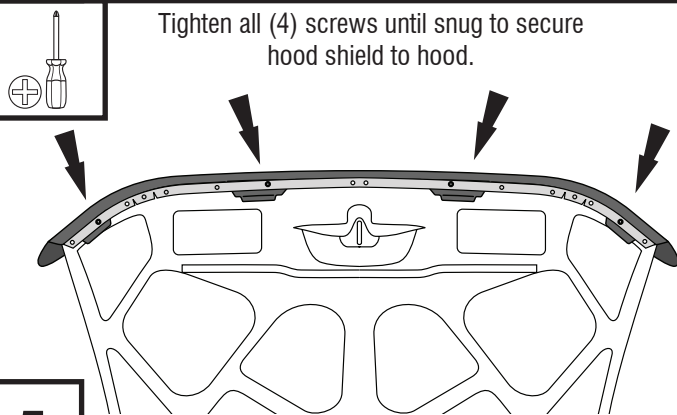
3

Install (4) screws with washers.



4

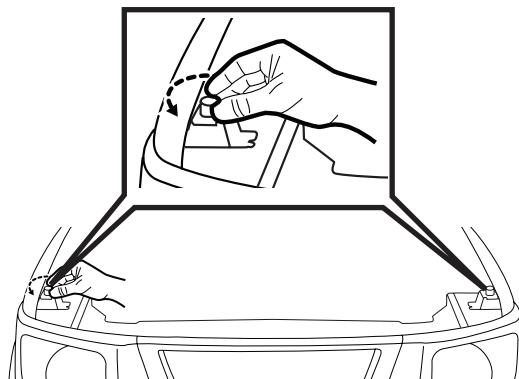
Tighten all (4) screws until snug to secure hood shield to hood.



5

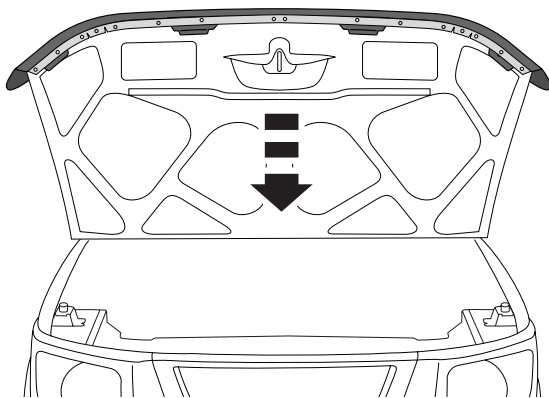
NOTE: DO NOT OVER TIGHTEN

Turn both of the hood bumpers counter clockwise 1 1/2 turns.



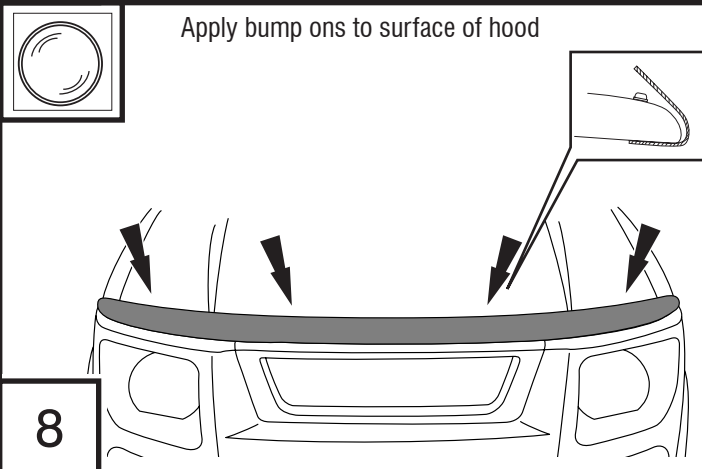
6

Close Hood.



7

Apply bump ons to surface of hood



8

Care and Cleaning

- Wash only with mild soap & dry with a clean cloth.

Congratulations!

You have purchased one of the many quality Auto Ventshade™ branded products offered by Lund International, Inc. We take the utmost pride in our products and want you to enjoy years of satisfaction from your investment. We have made every effort to ensure that your product is top quality in terms of fit, durability, finish and ease of installation.



Rely on premium stone and bug deflectors by AVS if you're looking for quality and efficiency.