

Installation Instructions



AUTO VENT SHADE™

Bugflector® - Bugflector II® - Carflector™

Important Safety Information



- CAUTION - Before driving, ensure that the hood shield is properly anchored to vehicle.
- Do not use automatic "brush-style" car washes.
- Do not use cleaning solvents of any kind.
- Periodically check all components for tightness.

Contents **NOTE:** Actual product may vary from illustration.



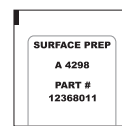
Hood shield



Screw x2



Bump On x4

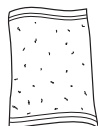


Surface prep

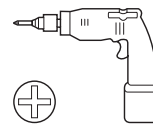
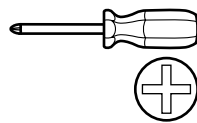
Tools Required



Car Wash Supplies



Clean Towel



Phillips screwdriver

Preparation Before Painting / Installation

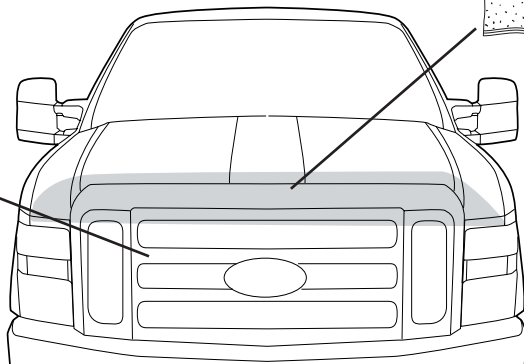
- A trial fit is recommended to ensure proper positioning and fit.
- Check fit of parts before painting as we will not accept the return of modified or painted parts.
- Wash and dry your vehicle to remove any debris and/or dirt from the installation area.

Installation Steps **NOTE:** Actual application may vary slightly from illustrations.



Clean the top grill area and leading edge of hood with a soft cloth.

Grill



1

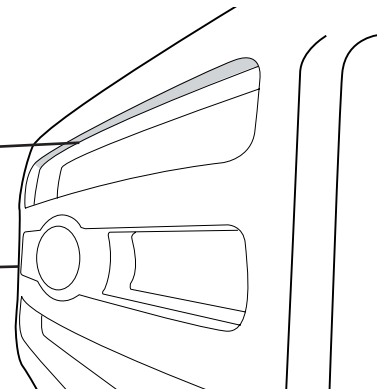


Apply a light coating of Surface prep to the underside of the top opening in the vehicle grill.

Grill



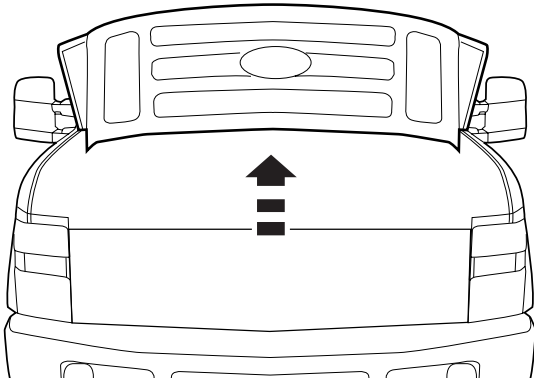
2



Installation Steps

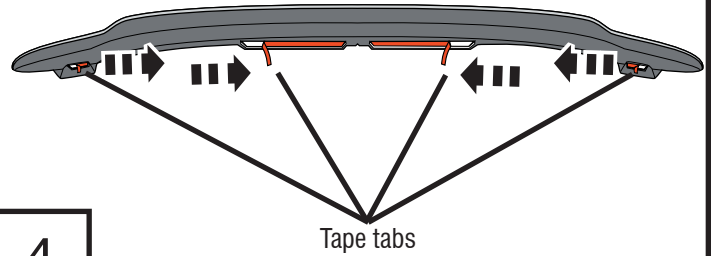
NOTE: Actual application may vary slightly from illustrations.

Raise hood.



3

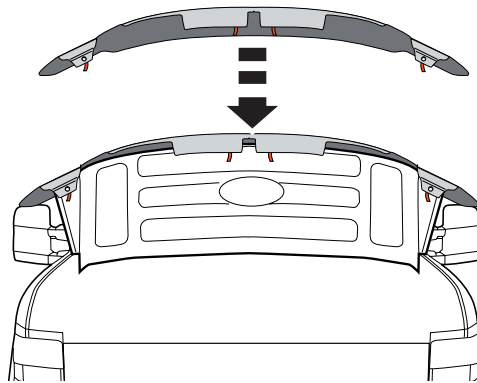
Peel back 2" (5 cm) of tape liner from each flange.



Tape tabs

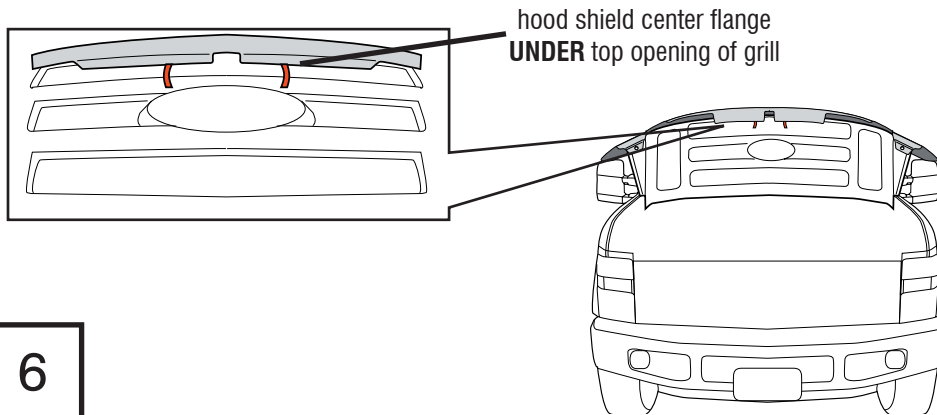
4

Align hood shield with hood edge.

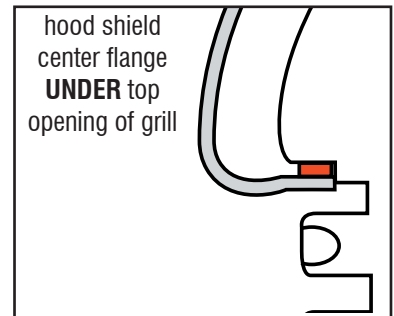


5

Ensure that center flanges wrap **UNDER** the top opening in the grill, and that tape tabs are accessible.



hood shield center flange
UNDER top opening of grill

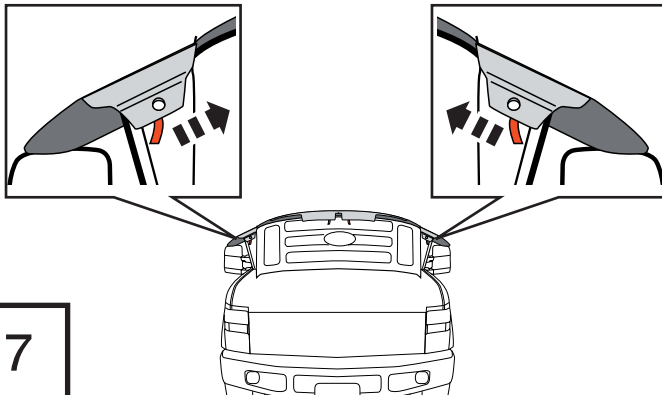


hood shield center flange
UNDER top opening of grill

CROSS SECTION

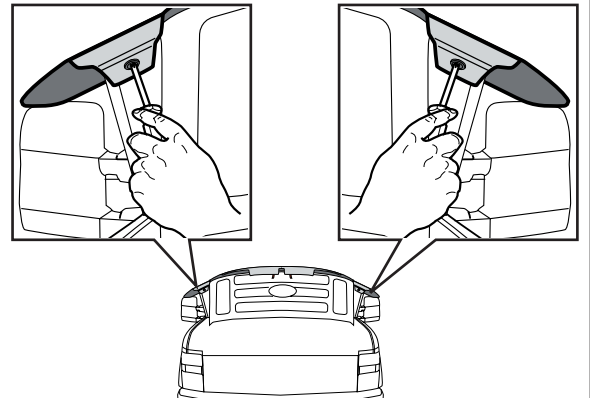
6

Remove remaining tape liner by pulling on tape tabs.



7

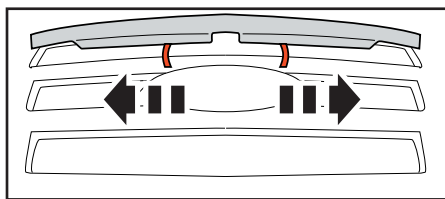
Install (1) screw in each side flange. Do not over-tighten.



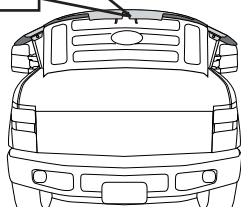
8

Installation Steps **NOTE:** Actual application may vary slightly from illustrations.

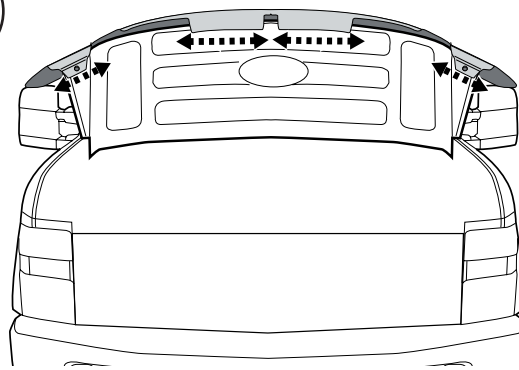
Remove remaining tape liner by pulling on tape tabs.



9

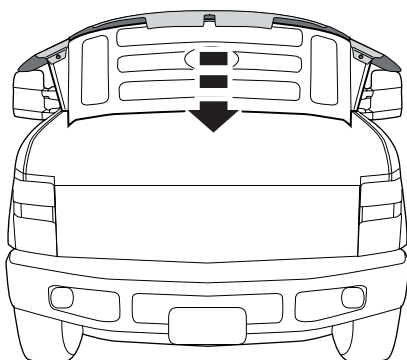


Apply pressure to tape flanges to ensure adhesion.



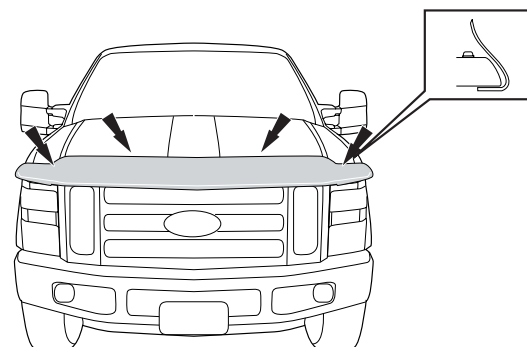
10

Close hood.



11

Apply (4) Bump ons to hood surface.



12

Care and Cleaning

- Wash only with mild soap & dry with a clean cloth.

Congratulations!

You have purchased one of the many quality Auto Ventshade™ branded products offered by Lund International, Inc. We take the utmost pride in our products and want you to enjoy years of satisfaction from your investment. We have made every effort to ensure that your product is top quality in terms of fit, durability, finish and ease of installation.



Rely on premium stone and bug deflectors by AVS if you're looking for quality and efficiency.