

# Installation Instructions

I - Sheet Number BF128 Rev.A



## Bugflector® - Bugflector II® - Carflector® - Chrome Hood Shield™

For proper installation and best possible fit, please read all instructions BEFORE you begin.

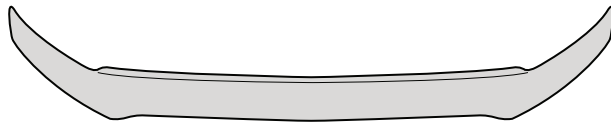
### Important Safety Information



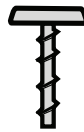
- CAUTION - Before driving, ensure that the hood shield is properly secured to vehicle.
- Do not use automatic "brush-style" car washes.
- Do not use cleaning solvents of any kind.
- Periodically check all components for tightness.

### Contents

**NOTE:** Actual product may vary from illustration.



Hood shield



Screw  
x 8



Receptacle  
x 8



Bump On  
x4

### Tools Required



Car Wash Supplies



Clean Towel



Phillips  
screwdriver



Grease Pencil

### Preparation Before Painting / Installation

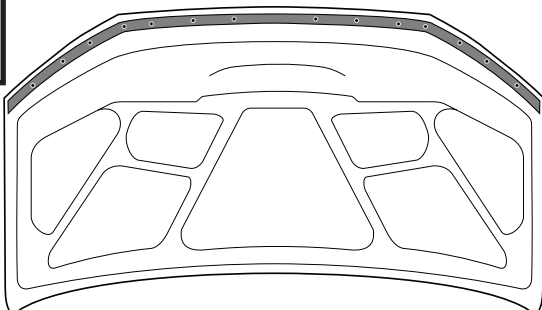
- A trial fit is recommended to ensure proper positioning and fit.
- Check fit of parts before painting as we will not accept the return of modified or painted parts.
- Wash and dry your vehicle to remove any debris and/or dirt from the installation area.

### Installation Steps

**NOTE:** Actual application may vary slightly from illustrations.



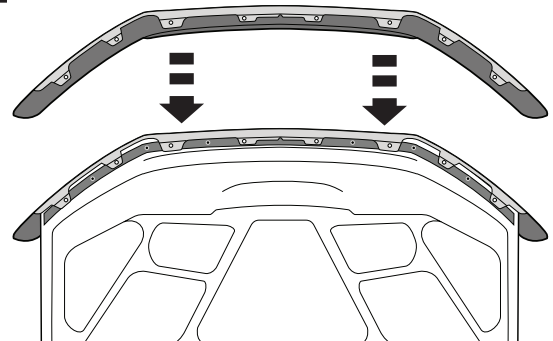
Raise hood and clean the leading edge thoroughly, and allow to dry.



1



Test fit hood shield by centering it on the hood edge. Note where the mounting holes in the hood shield flange will be and mark with a grease pencil.

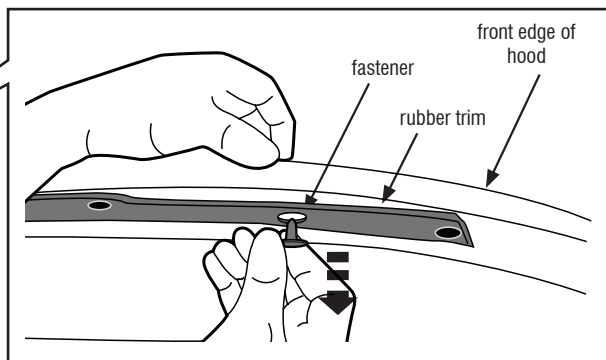
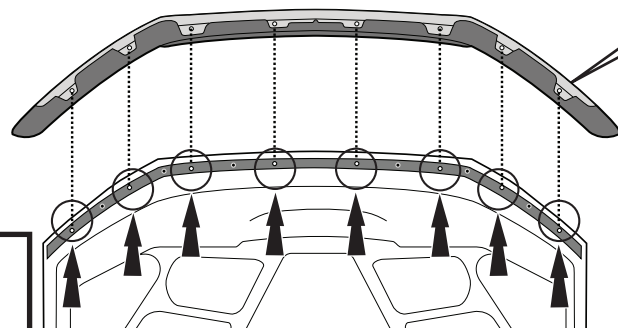


2

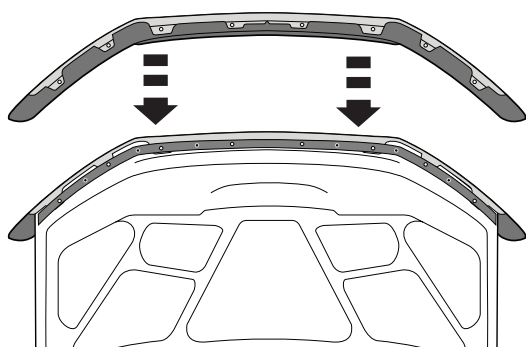
## Installation Steps **NOTE:** Actual application may vary slightly from illustrations.

Remove the corresponding fasteners from the rubber trim piece. This is necessary in order for the hood shield flanges to slide **under** the rubber trim piece. **NOTE:** It may be necessary to remove additional fasteners in order to accommodate the flange, depending on size.

3



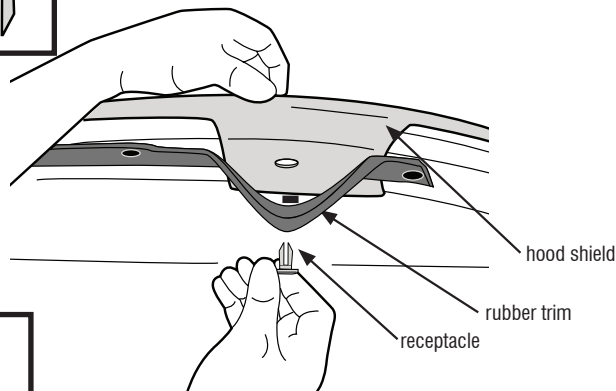
Position the hood shield with the flanges sliding **between** the hood and rubber seal. Align holes.



4



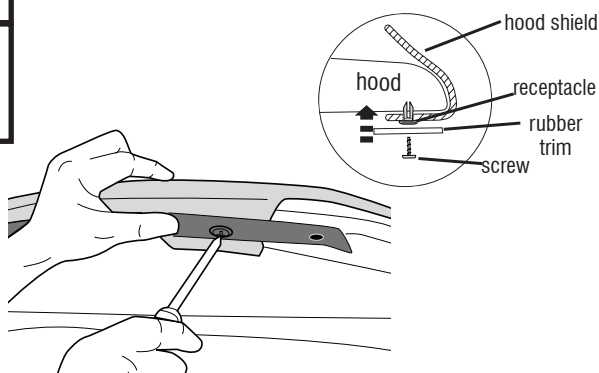
Insert (8) receptacles **UNDER** rubber trim and through hood shield, and then into hood.



5



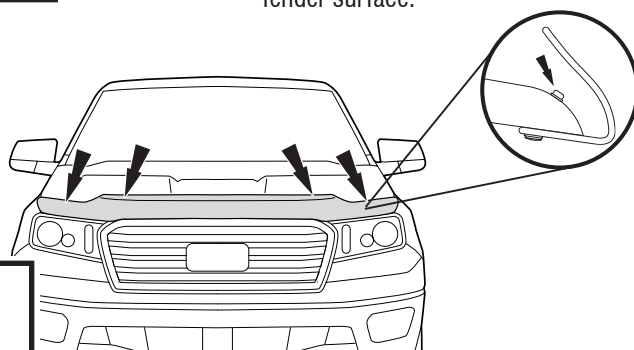
Insert (8) screws through rubber trim and into receptacles and apply pressure while tightening screw to secure to hood.



6



Lower hood, adjust hood bumper stops to ensure hood shield clears grille and headlights. Install bumper stops at pre-cleaned locations on the painted hood/fender surface.



7

## Care and Cleaning

- Wash only with mild soap & dry with a clean cloth.



The material that your product is made from can be recycled. Please also consider recycling the packaging that your product came in.



## Congratulations!

You have purchased one of the many quality Auto Ventshade™ branded products offered by Lund International. We take the utmost pride in our products and want you to enjoy years of satisfaction from your investment. We have made every effort to ensure that your product is top quality in terms of fit, durability, finish and ease of installation.



Lund International



Check out the collection of stone and bug deflectors we offer.