

Installation Instructions



Bugflector® - Bugflector II® - Carflector® - Chrome Hood Shield™

Important Safety Information



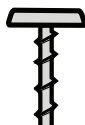
- CAUTION - Before driving, ensure that the hood shield is properly secured to vehicle.
- Do not use automatic "brush-style" car washes.
- Do not use cleaning solvents of any kind.
- Periodically check all components for tightness.

Contents

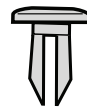
NOTE: Actual product may vary from illustration.



Hood shield



Screw
x 6



Receptacle
x 6

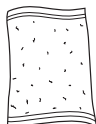


Bump On
x4

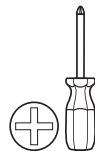
Tools Required



Car Wash Supplies



Clean Towel



Phillips
screwdriver



Grease Pencil

Preparation Before Painting / Installation

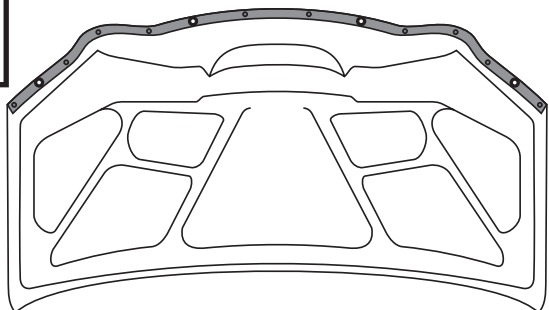
- A trial fit is recommended to ensure proper positioning and fit.
- Check fit of parts before painting as we will not accept the return of modified or painted parts.
- Wash and dry your vehicle to remove any debris and/or dirt from the installation area.

Installation Steps

NOTE: Actual application may vary slightly from illustrations.



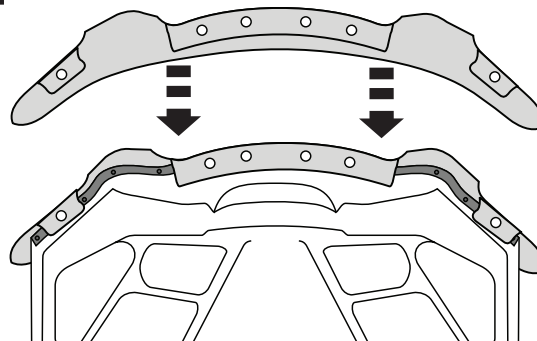
Raise hood and clean the leading edge thoroughly, and allow to dry.



1



Test fit hood shield by centering it on the hood edge. Note where the mounting holes in the hood shield flange will be and mark with a grease pencil.

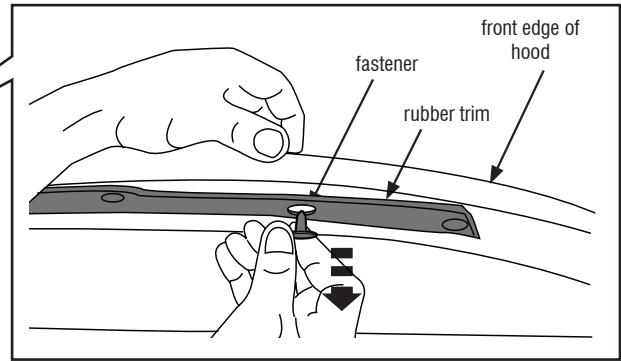
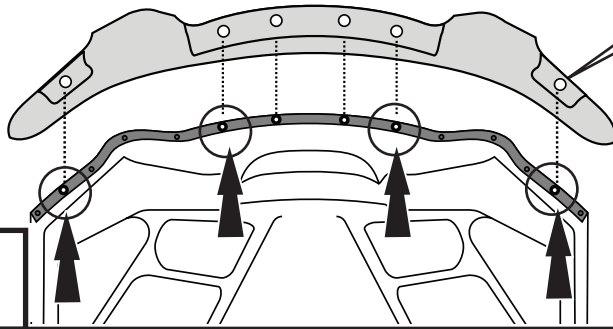


2

Installation Steps **NOTE:** Actual application may vary slightly from illustrations.

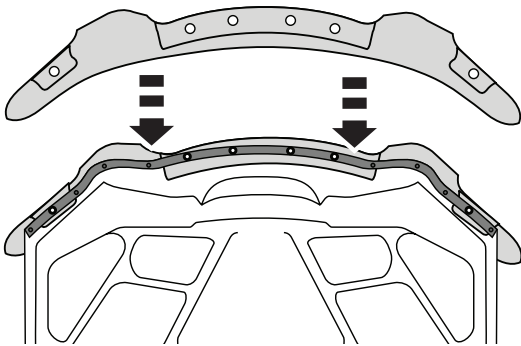
Remove the corresponding fasteners from the rubber trim piece. This is necessary in order for the hood shield flanges to slide **under** the rubber trim piece. **NOTE:** It may be necessary to remove additional fasteners in order to accommodate the flange, depending on size.

3



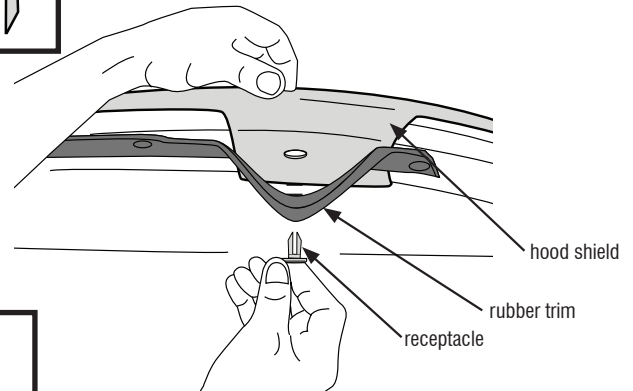
Position the hood shield with the flanges sliding **between** the hood and rubber seal. Align holes.

4

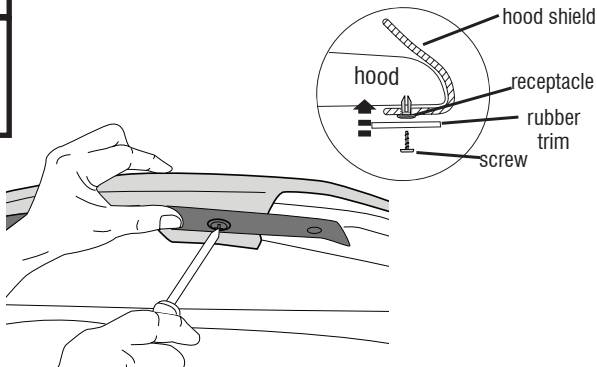


Insert (6) receptacles **UNDER** rubber trim and through hood shield, and then into hood.

5



Insert (6) screws through rubber trim and into receptacles and apply pressure while tightening screw to secure to hood.

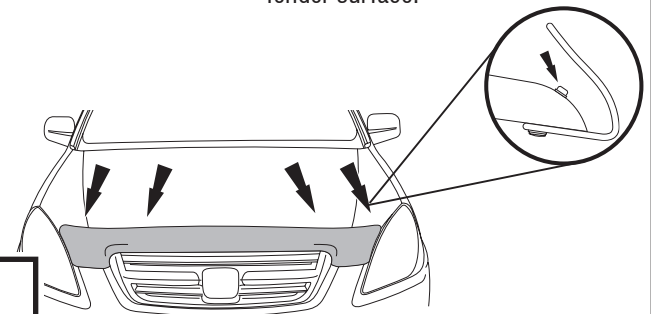


6



Lower hood, adjust hood bumper stops to ensure hood shield clears grille and headlights. Install bump ons at pre-cleaned locations on the painted hood/fender surface.

7



Care and Cleaning

- Wash only with mild soap & dry with a clean cloth.

Congratulations!

You have purchased one of the many quality Auto Ventshade™ branded products offered by Lund International, Inc. We take the utmost pride in our products and want you to enjoy years of satisfaction from your investment. We have made every effort to ensure that your product is top quality in terms of fit, durability, finish and ease of installation.



Check out the collection of stone and bug deflectors we offer.