

# Installation Instructions



## Bugflector<sup>®</sup> - Bugflector II<sup>®</sup> - Carflector<sup>®</sup> - Chrome Hood Shield<sup>™</sup>

### Important Safety Information



- CAUTION - Before driving, ensure that the hood shield is properly secured to vehicle.
- Do not use automatic "brush-style" car washes.
- Do not use cleaning solvents of any kind.
- Periodically check all components for tightness.

### Contents

**NOTE:** Actual product may vary from illustration.



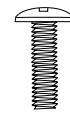
Hood shield



Alcohol pad x2



Fastener Assembly x4



Machine Screw x2  
(04-4128)



Bracket x2  
(39-1956)



Protective Film x2  
(45-3601)



Black Plastic  
Washer x2  
(37-4106)

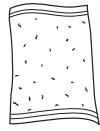


Bump On x4  
(98024)

### Tools Required



Car Wash Supplies



Clean Towel



Phillips  
screwdriver



Grease pencil

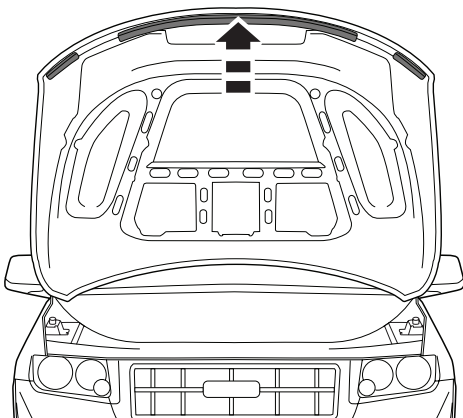
### Preparation Before Painting / Installation

- A trial fit is recommended to ensure proper positioning and fit.
- Check fit of parts before painting as we will not accept the return of modified or painted parts.
- Wash and dry your vehicle to remove any debris and/or dirt from the installation area.

### Installation Steps

**NOTE:** Actual application may vary slightly from illustrations.

Open hood.

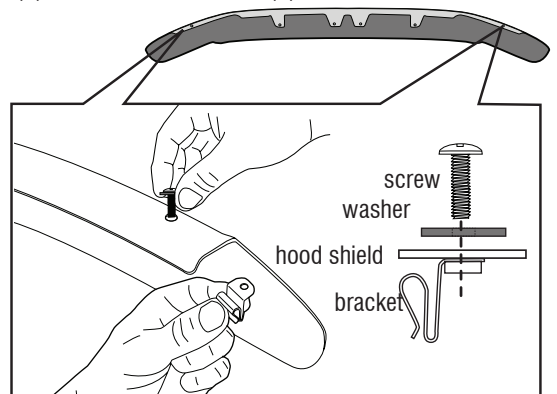


1



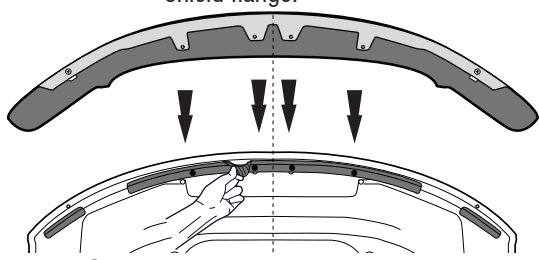
2

Install (2) brackets on hood shield flange using (2) machine screws and (2) black plastic washers.



# Installation Steps **NOTE:** Actual application may vary slightly from illustrations.

Remove (4) plastic seal retaining fasteners that align with the pre-drilled holes in the hood shield. Next, carefully separate the hood seal / gasket from the areas of the hood that align with the hood shield flange.

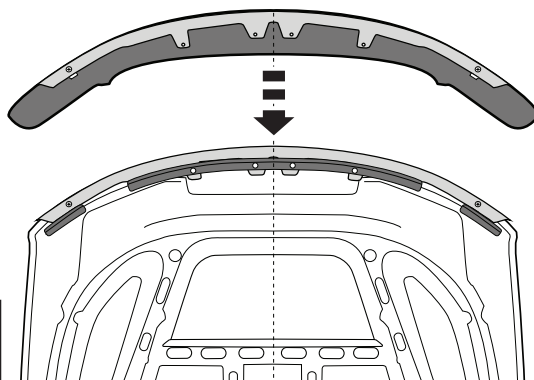


3



**NOTE:** Exercise extreme caution not to tear or damage the hood seal / gasket when separating from hood.

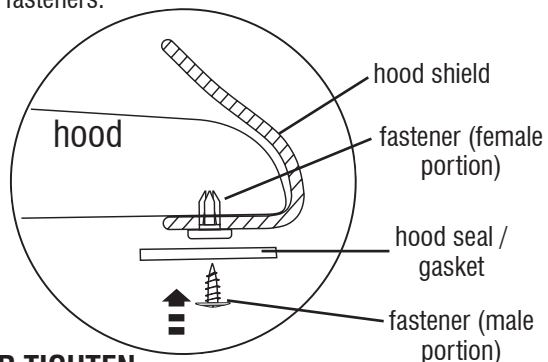
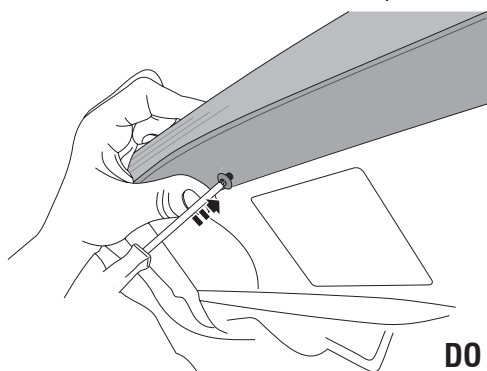
Reposition the hood shield with the tabs sliding between the hood and rubber seal and align with holes.



4

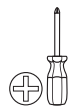


Separate Fastener Assembly in two pieces. Gently pull back hood seal / gasket and place the female portion of fastener through hood shield and into hood. Replace hood seal / gasket. Install male portion of fastener as illustrated. Repeat for remaining (3) fasteners.

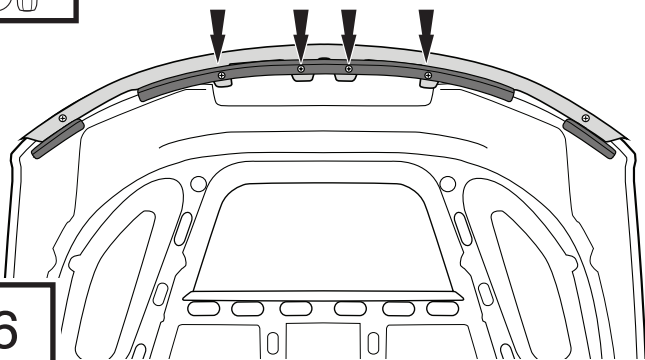


5

**DO NOT OVER TIGHTEN**



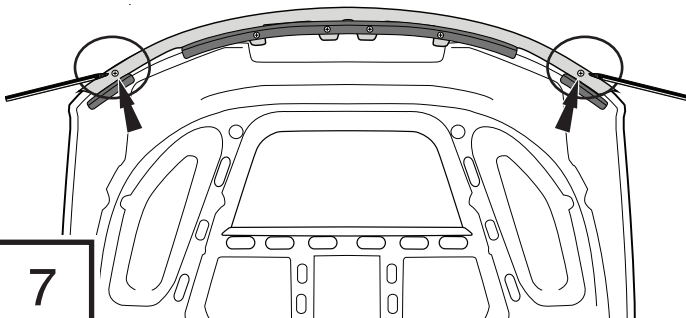
Tighten all (4) fasteners until snug to secure hood shield to hood.



6

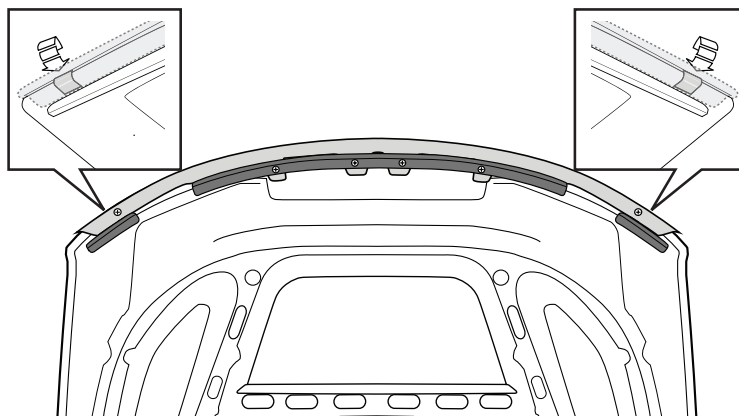
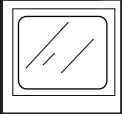


Note the location where the brackets will align with hood edge and mark with a grease pencil.



7

Center a piece of protective film over each grease pencil mark, and wrap around the hood edge.

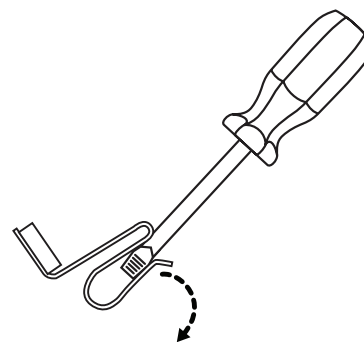
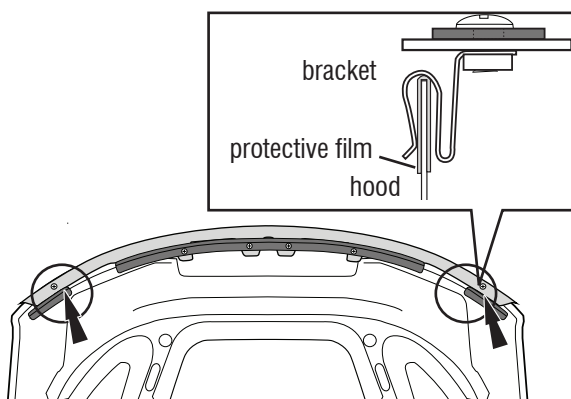


8

## Installation Steps **NOTE:** Actual application may vary slightly from illustrations.

Slide each end bracket over hood edge, ensuring that each is centered on the protective film previously installed.

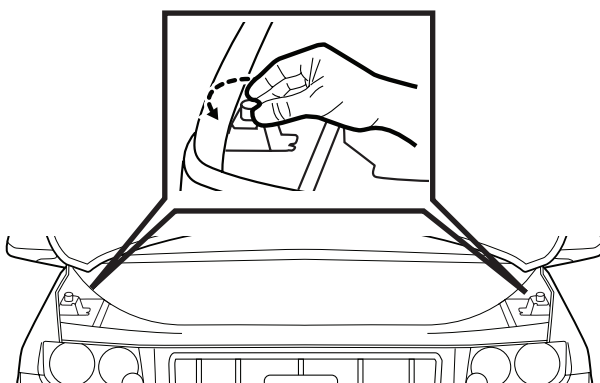
9



Adjust as needed.

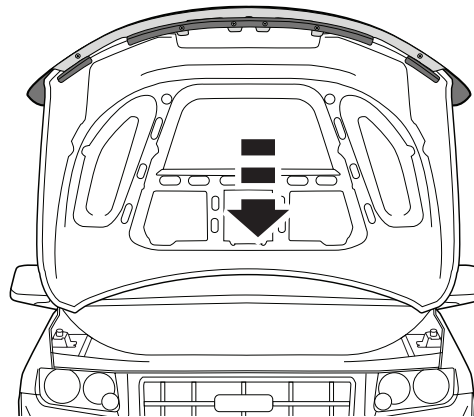
Turn both of the hood bumpers counter clockwise 1 1/2 turns.

10



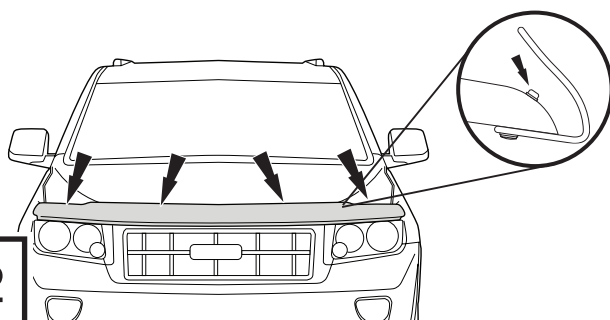
Close Hood.

11



Apply (4) bump ons to surface of hood.

12



## Care and Cleaning

- Wash only with mild soap & dry with a clean cloth.

## Congratulations!

You have purchased one of the many quality Auto Ventshade™ branded products offered by Lund International, Inc. We take the utmost pride in our products and want you to enjoy years of satisfaction from your investment. We have made every effort to ensure that your product is top quality in terms of fit, durability, finish and ease of installation.



Rely on premium stone and bug deflectors by AVS if you're looking for quality and efficiency.