

Installation Instructions



Bugflector® - Bugflector II® - Carflector® - Chrome Hood Shield™

Important Safety Information



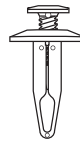
- CAUTION - Before driving, ensure that the hood shield is properly secured to vehicle.
- Do not use automatic "brush-style" car washes.
- Do not use cleaning solvents of any kind.
- Periodically check all components for tightness.

Contents

NOTE: Actual product may vary from illustration.



Hood shield



Fastener
x4



Bump On
x4



Alcohol Pad
x2

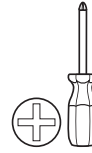
Tools Required



Car Wash Supplies



Clean Towel



Phillips
screwdriver

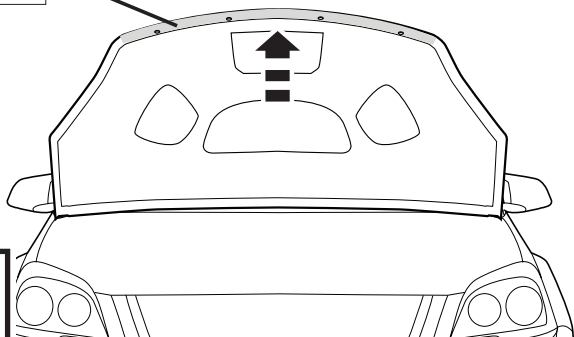
Preparation Before Painting / Installation

- A trial fit is recommended to ensure proper positioning and fit.
- Check fit of parts before painting as we will not accept the return of modified or painted parts.
- Wash and dry your vehicle to remove any debris and/or dirt from the installation area.

Installation Steps

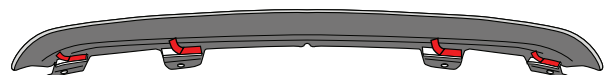
NOTE: Actual application may vary slightly from illustrations.

NOTE: Remove and discard weatherstrip gasket if applicable.
Clean the leading edge of hood with an alcohol pad.



1

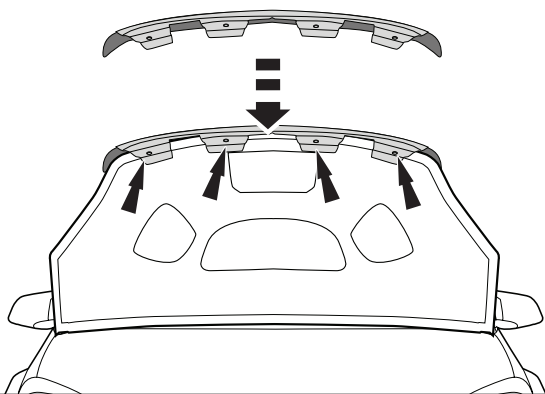
Remove tape liner from adhesive strips on all flanges .



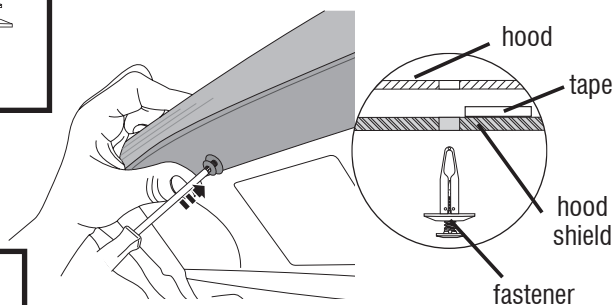
2

Installation Steps **NOTE:** Actual application may vary slightly from illustrations.

Align hood shield holes with holes in hood.

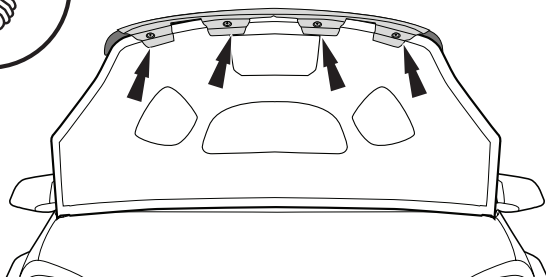


Assemble fastener by threading screw into receptacle. Insert (1) fastener and screw until snug. Repeat for remaining (3) fasteners.

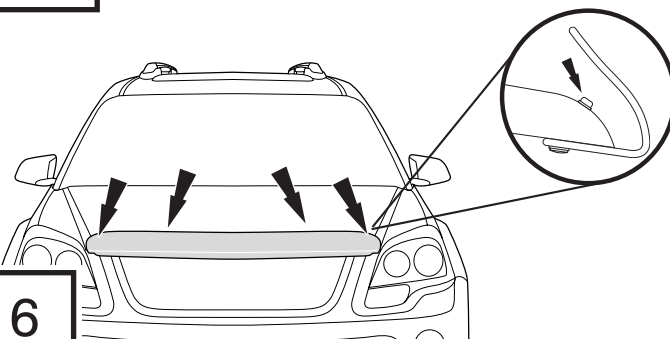


DO NOT OVER TIGHTEN

Apply pressure to all flanges to ensure adhesion of tape.



Close hood and install bump ons at pre-cleaned locations on the painted hood/fender surface.



Care and Cleaning

- Wash only with mild soap & dry with a clean cloth.

Congratulations!

You have purchased one of the many quality Auto Ventshade™ branded products offered by Lund International, Inc. We take the utmost pride in our products and want you to enjoy years of satisfaction from your investment. We have made every effort to ensure that your product is top quality in terms of fit, durability, finish and ease of installation.



When it comes to quality stone and bug deflectors, AVS is the brand you can depend on.