

# Installation Instructions



AUTO VENT SHADE™

## Bugflector® - Bugflector II® - Carflector™

### Important Safety Information



- CAUTION - Before driving, ensure that the hood shield is properly anchored to vehicle.
- Do not use automatic "brush-style" car washes.
- Do not use cleaning solvents of any kind.
- Periodically check all components for tightness.

### Contents **NOTE:** Actual product may vary from illustration.



Hood shield



Screw x3



Well Nut x3



Bump On x4

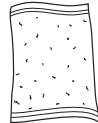


Alcohol Pad x1

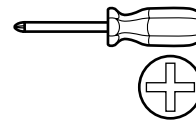
### Tools Required



Car Wash Supplies



Clean Towel



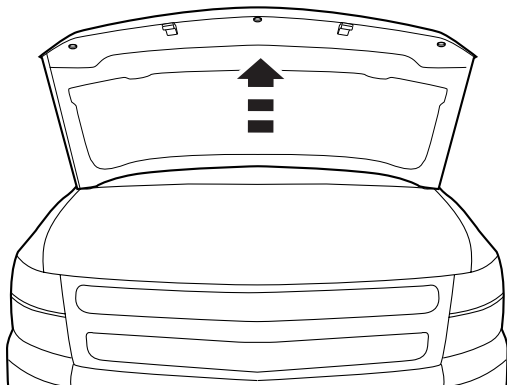
Phillips screwdriver

### Preparation Before Painting / Installation

- A trial fit is recommended to ensure proper positioning and fit.
- Check fit of parts before painting as we will not accept the return of modified or painted parts.
- Wash and dry your vehicle to remove any debris and/or dirt from the installation area.

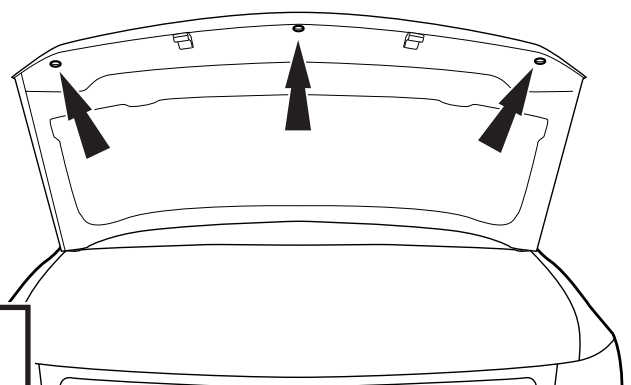
### Installation Steps **NOTE:** Actual application may vary slightly from illustrations.

Raise hood.



1

Locate (3) circular holes on the underside of hood. Clean the area around these with a soft cloth.



2

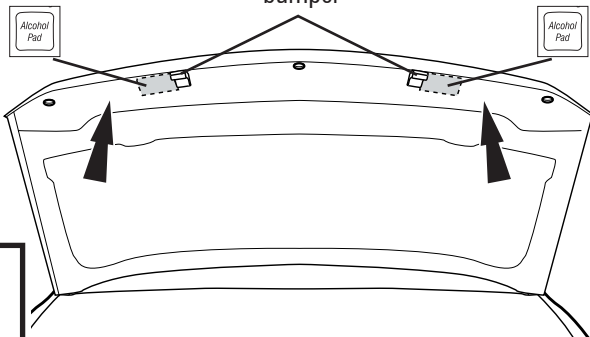
# Installation Steps

**NOTE:** Actual application may vary slightly from illustrations.

Alcohol Pad

Locate (2) rubber bumpers on the underside of hood.  
Clean the area around these with an alcohol pad.

rubber bumper



3

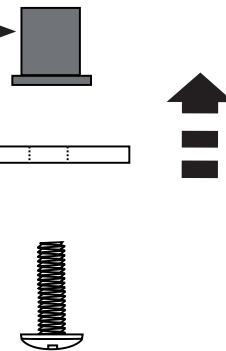


Attach fasteners to hoodshield by inserting screw through hood shield, and into well nut. **Partially** thread screw into well nut.



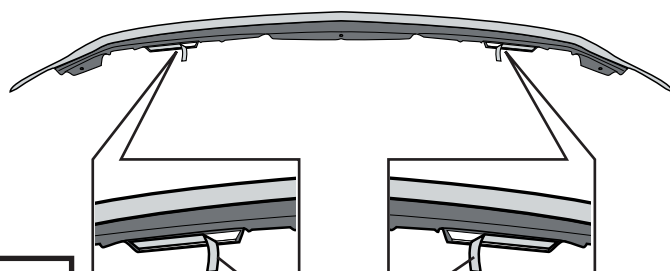
Well nut

Hood shield



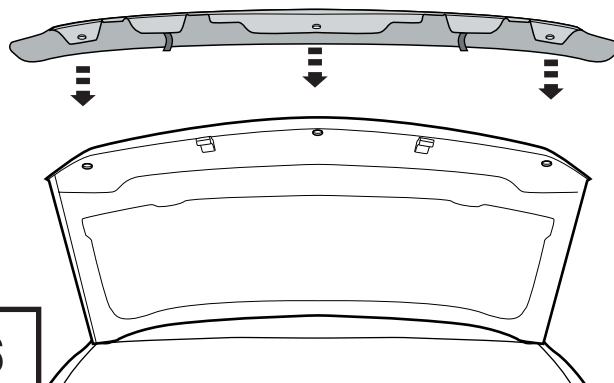
4

Peel back 2" (5 cm) of tape liner off both tape strips to expose adhesive. Fold free ends over so they will be accessible.



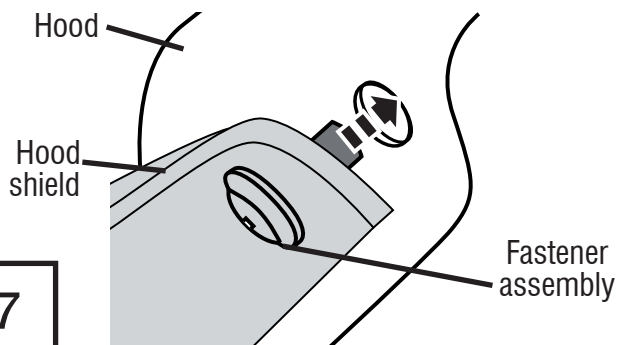
5

Center part on front edge of hood and align holes.

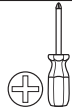


6

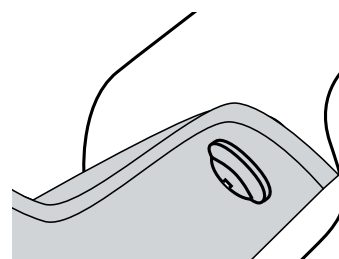
**NOTE:** Observe the alignment from the side view in order to guide the hood shield with its attached fastener into the proper hole in the hood.



7



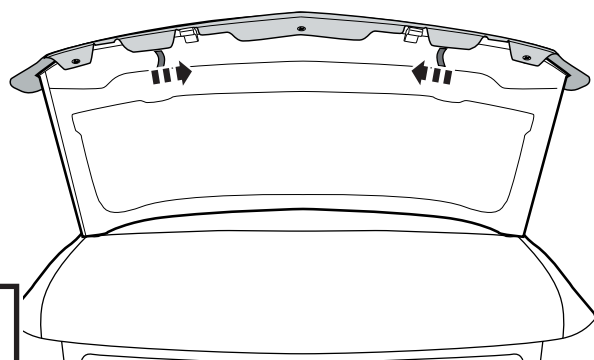
With the fastener assembly inserted into hole in hood, secure hood shield to hood by tightening screw to expand well nut. Repeat for remaining fasteners.



8

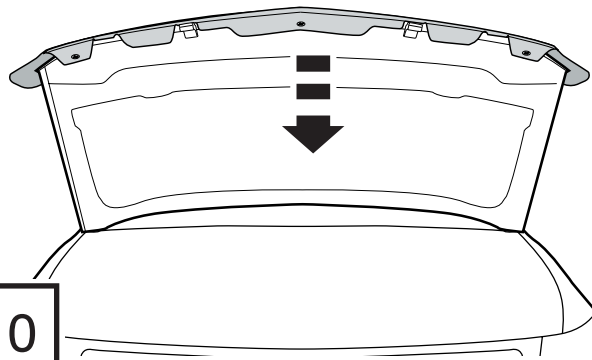
**NOTE:** DO NOT OVER TIGHTEN

Remove remaining tape liner by pulling on free ends, and apply pressure to adhere tape.



9

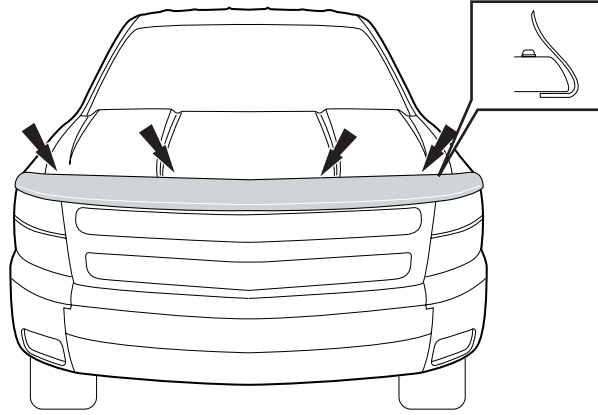
Close Hood.



10



Apply bump ons to surface of hood.



11

## Care and Cleaning

- Wash only with mild soap & dry with a clean cloth.

## Congratulations!

You have purchased one of the many quality Auto Ventshade™ branded products offered by Lund International, Inc. We take the utmost pride in our products and want you to enjoy years of satisfaction from your investment. We have made every effort to ensure that your product is top quality in terms of fit, durability, finish and ease of installation.



Check out the collection of stone and bug deflectors we offer.