

Installation Instructions



Bugflector[®] - Bugflector II[®] - Carflector[®] - Chrome Hood Shield[™]

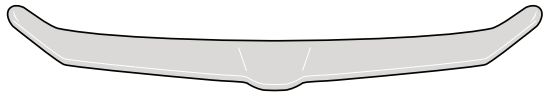
Important Safety Information



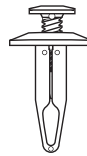
- CAUTION - Before driving, ensure that the hood shield is properly secured to vehicle.
- Do not use automatic "brush-style" car washes.
- Do not use cleaning solvents of any kind.
- Periodically check all components for tightness.

Contents

NOTE: Actual product may vary from illustration.



Hood shield



Fastener x6



Bump On x4

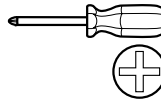
Tools Required



Car Wash Supplies



Clean Towel



Phillips Screwdriver



Grease pencil

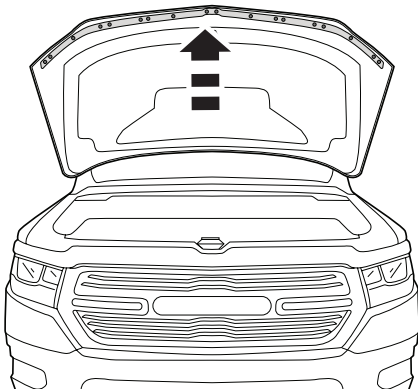
Preparation Before Painting / Installation

- A trial fit is recommended to ensure proper positioning and fit.
- Check fit of parts before painting as we will not accept the return of modified or painted parts.
- Wash and dry your vehicle to remove any debris and/or dirt from the installation area.

Installation Steps

NOTE: Actual application may vary slightly from illustrations.

Open hood. Note the location of the rubber seal on leading edge of hood.



1



Center hood shield in place on hood. Use a grease pencil to mark the locations on rubber seal that correspond to holes in hood shield flange.

2

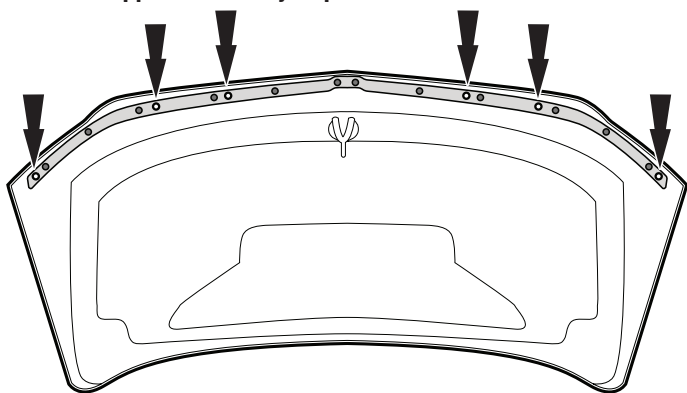
Installation Steps

NOTE: Actual application may vary slightly from illustrations.

Remove hood shield from hood. Remove the corresponding factory installed rubber seal retaining fasteners that were marked in **Step 2**.

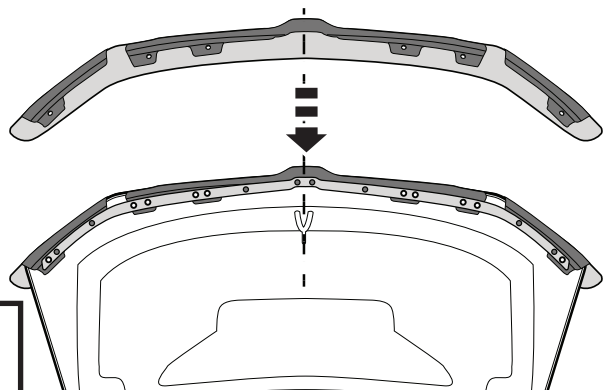
NOTE: Some applications may require additional fasteners to be removed in order to fully access the holes underneath.

3



NOTE: Exercise extreme caution not to tear or damage the rubber seal when separating from hood.

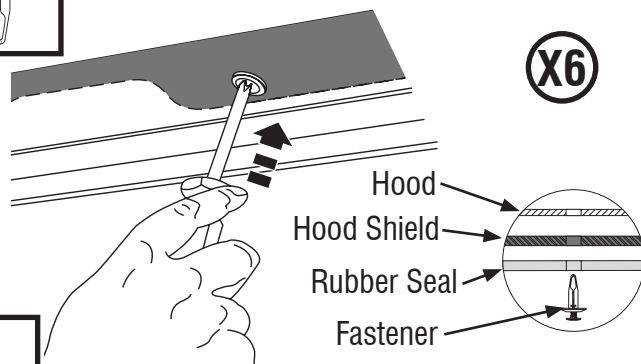
Center hood shield on hood, and slide hood shield flanges **UNDER** the rubber seal. Align hood shield flanges with holes in hood.



4



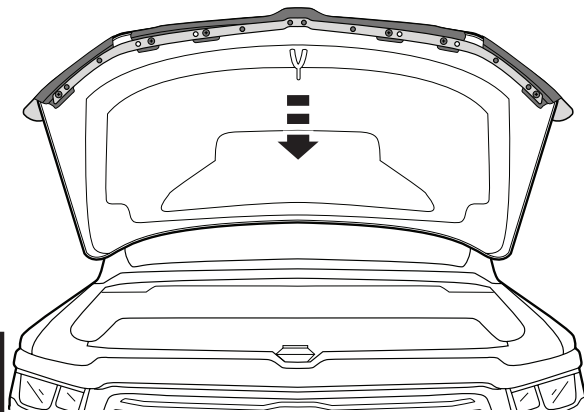
Install a fastener at each flange location.



5

Do not overtighten

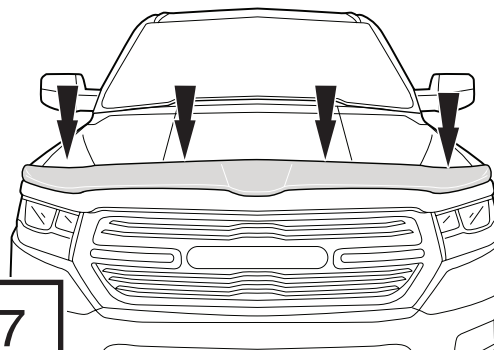
Close hood. Adjust hood bump stops to raise hood as needed.



6



Install bump ons at pre-cleaned locations on the painted hood surface.



7

Care and Cleaning

- Wash only with mild soap & dry with a clean cloth.



The material that your product is made from can be recycled. Please also consider recycling the packaging that your product came in.



Congratulations!

You have purchased one of the many quality Auto Ventshade™ branded products offered by Lund International. We take the utmost pride in our products and want you to enjoy years of satisfaction from your investment. We have made every effort to ensure that your product is top quality in terms of fit, durability, finish and ease of installation.



Check out the collection of stone and bug deflectors we offer.