

Installation Instructions



Bugflector® - Bugflector II® - Carflector® - Chrome Hood Shield™

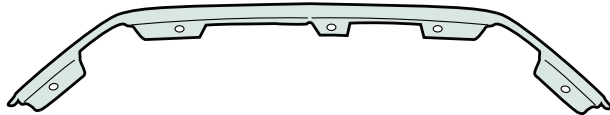
Important Safety Information



- CAUTION - Before driving, ensure that the hood shield is properly secured to vehicle.
- Do not use automatic "brush-style" car washes.
- Do not use cleaning solvents of any kind.
- Periodically check all components for tightness.

Contents

NOTE: Actual product may vary from illustration.



Hood shield



Large Screw x2



Large Hood Insert x2



Large Washer x2



Bump On x4



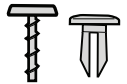
Small Screw x3



Small Hood Insert x3



Washer x3

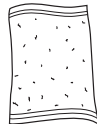


Optional Fastener x2

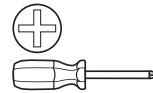
Tools Required



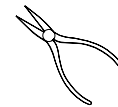
Car Wash Supplies



Clean Towel



Phillips screwdriver



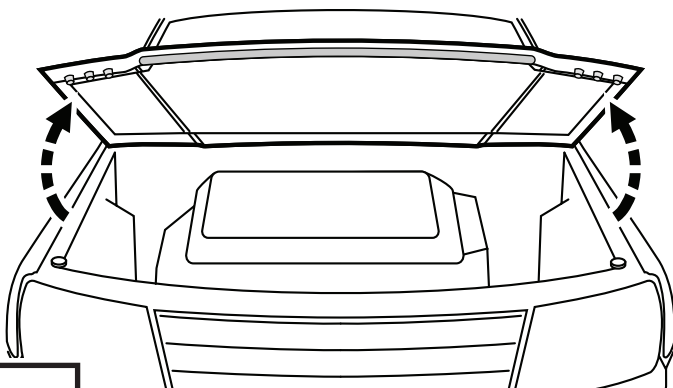
Pliers

Preparation Before Painting / Installation

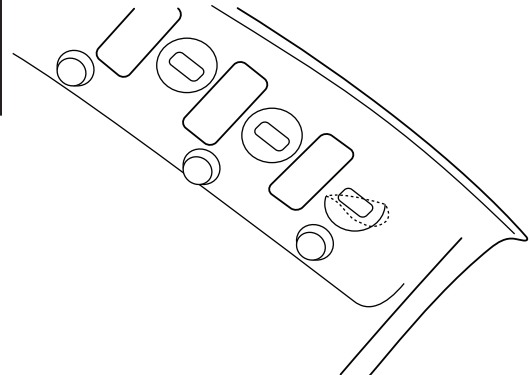
- A trial fit is recommended to ensure proper positioning and fit.
- Check fit of parts before painting as we will not accept the return of modified or painted parts.
- Wash your vehicle to remove any debris and/or dirt from the installation area.
- Wash the installation area with a clean towel.

Installation Steps

NOTE: Actual application may vary slightly from illustrations.



1



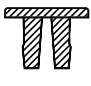
2

Remove and discard outside clear film circle.
Repeat for other side.

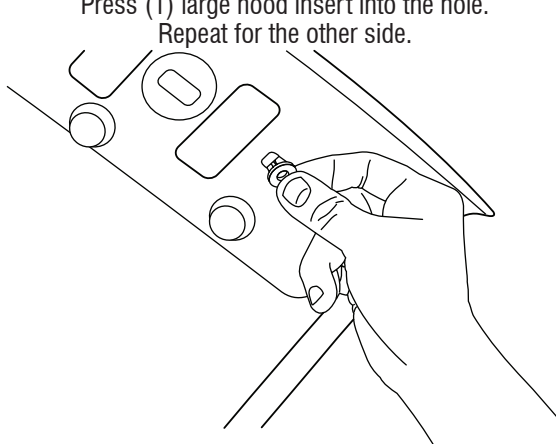
Installation Steps

NOTE: Actual application may vary slightly from illustrations.


3



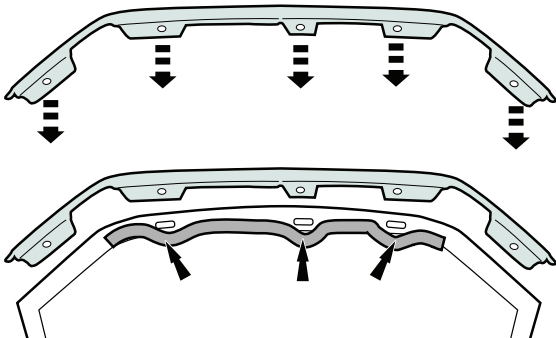
Press (1) large hood insert into the hole.
Repeat for the other side.




4



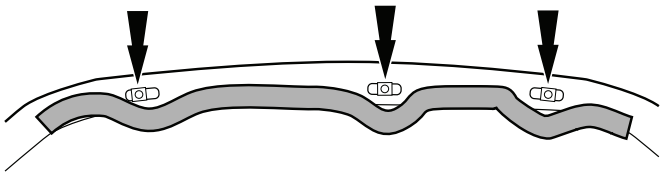
Align shield to hood. Remove & discard weatherstripping fasteners where tabs align.



5

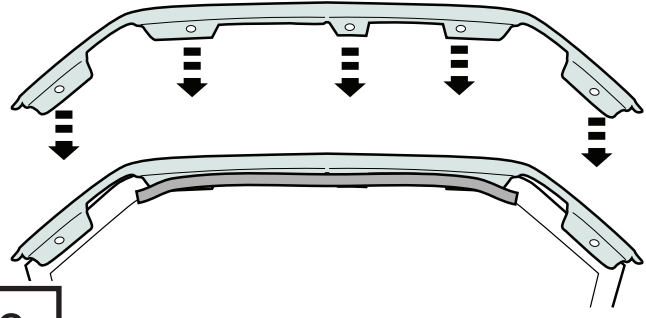


Press (1) small hood insert into each exposed hole.

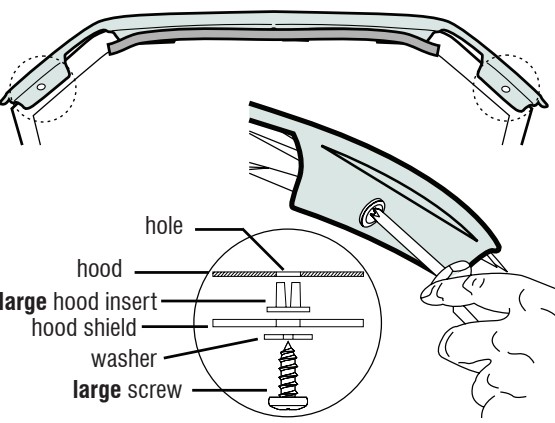
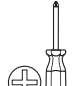
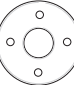



6

Set shield on hood. Place center tabs under weatherstripping.



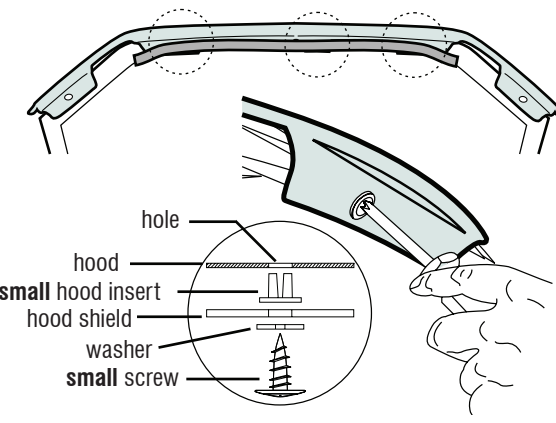

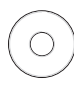

7



hole
hood
large hood insert
hood shield
washer
large screw

DO NOT OVER TIGHTEN

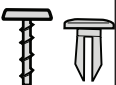
8



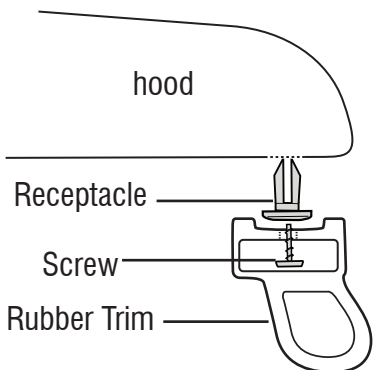
hole
hood
small hood insert
hood shield
washer
small screw

DO NOT OVER TIGHTEN

9



If necessary, replace broken fasteners as shown.

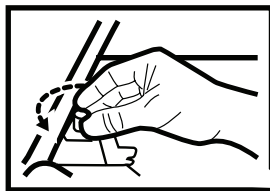


hood
Receptacle
Screw
Rubber Trim

PROFILE VIEW

10

Adjust bumper stops as needed to ensure hood shield clears grille and headlights.

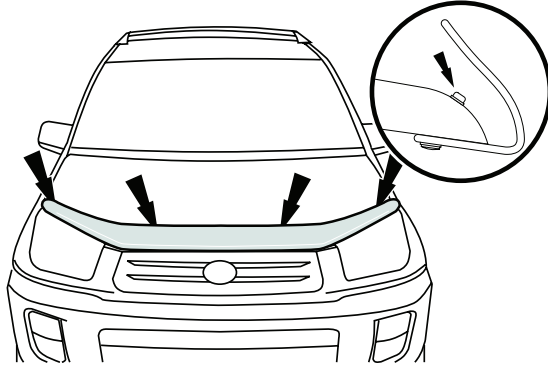


Installation Steps

NOTE: Actual application may vary slightly from illustrations.



Close hood, and install bump ons at pre-cleaned locations on the painted hood surface.



11

Care and Cleaning

- Wash only with mild soap & dry with a clean cloth.

Congratulations!

You have purchased one of the many quality Auto Ventshade™ branded products offered by Lund International, Inc. We take the utmost pride in our products and want you to enjoy years of satisfaction from your investment. We have made every effort to ensure that your product is top quality in terms of fit, durability, finish and ease of installation.



Rely on premium stone and bug deflectors by AVS if you're looking for quality and efficiency.