

Installation Instructions



Bugflector® - Bugflector II® - Carflector®

Important Safety Information



- CAUTION - Before driving, ensure that the hood shield is properly secured to vehicle.
- Do not use automatic "brush-style" car washes.
- Do not use cleaning solvents of any kind.
- Periodically check all components for tightness.

Contents **NOTE:** Actual product may vary from illustration.



Hood Shield



Self tapping screws x4



Washer x4



Alcohol pads x2

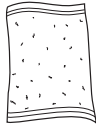


Bump On x4

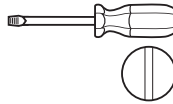
Tools Required



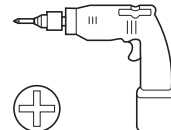
Car Wash Supplies



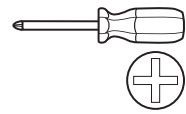
Clean Towel



Flathead Screwdriver



Drill



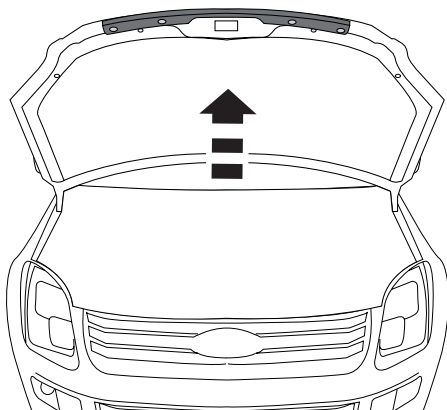
Phillips Screwdriver

Preparation Before Painting / Installation

- A trial fit is recommended to ensure proper positioning and fit.
- Check fit of parts before painting as we will not accept the return of modified or painted parts.
- Wash and dry your vehicle to remove any debris and/or dirt from the installation area.

Installation Steps **NOTE:** Actual application may vary slightly from illustrations.

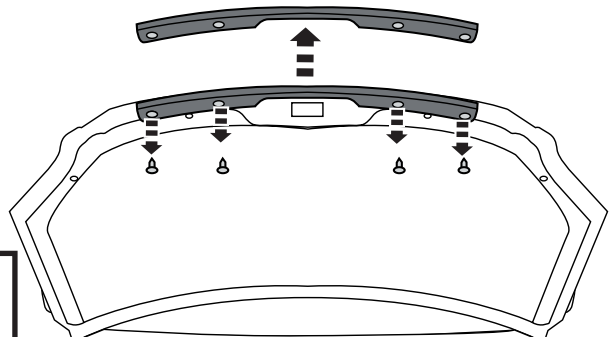
Open hood.



1



Locate trim pad on center of underside of hood. Remove and retain (4) fasteners and carefully set aside trim piece.



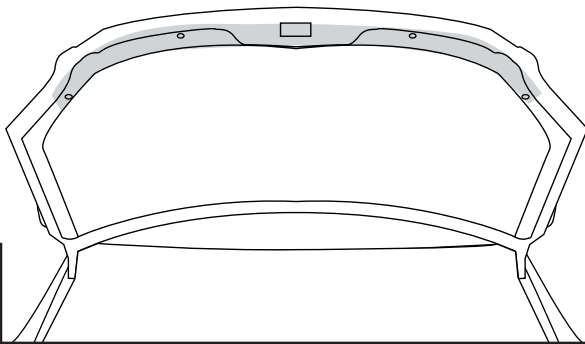
2

Installation Steps

NOTE: Actual application may vary slightly from drawings.

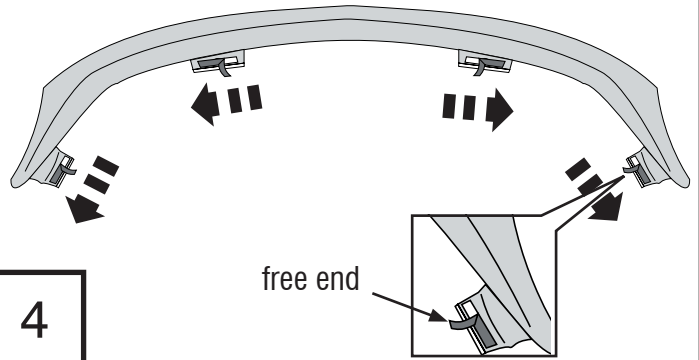
Alcohol Pad

Clean hood shield mounting locations with an alcohol pad.



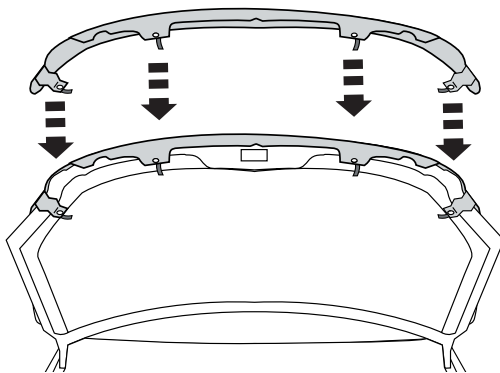
3

Remove 2" (5 cm) of tape liner from flanges of hood shield. Ensure that free ends are accessible.



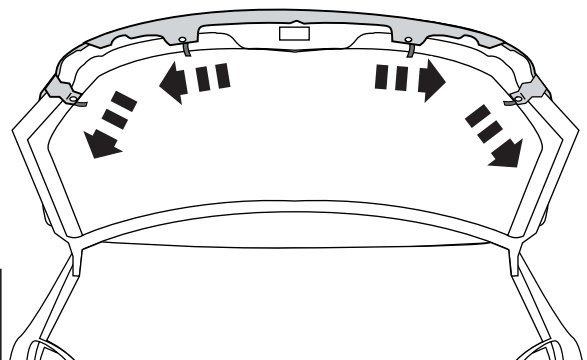
4

Center hood shield on hood, and align.



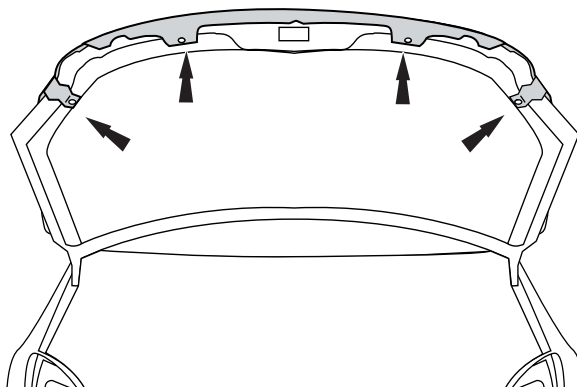
5

With hood shield in its final position, remove remaining tape liner by pulling on free ends.

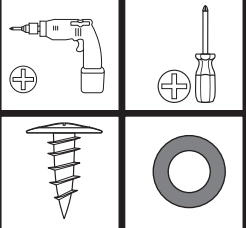


6

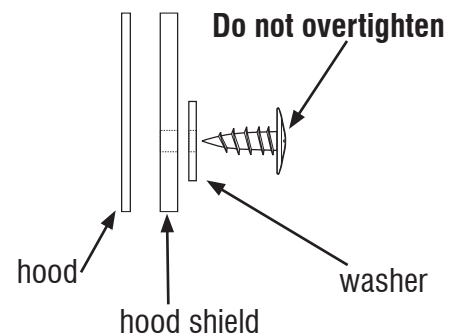
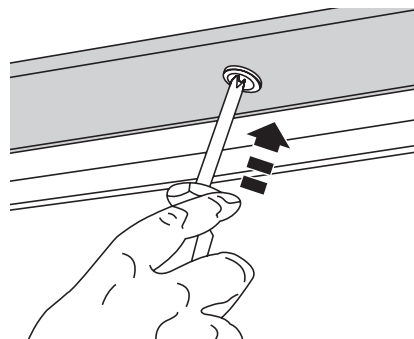
Apply pressure to all flanges to ensure adhesion of tape to hood surface.



7



Install (4) self tapping screws through the holes on hood shield. A power screwdriver is recommended but once the screw penetrates the inside metal panel use a regular phillips screwdriver the remainder of the way.

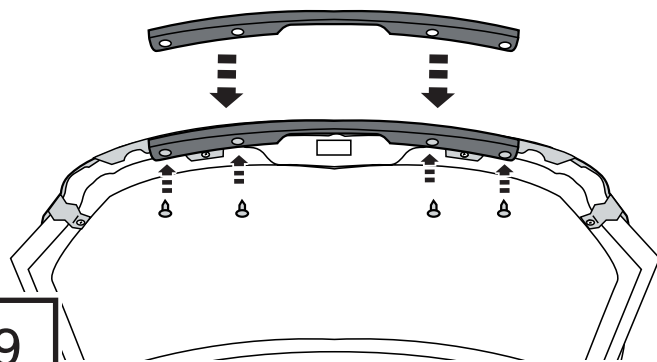


8

Installation Steps

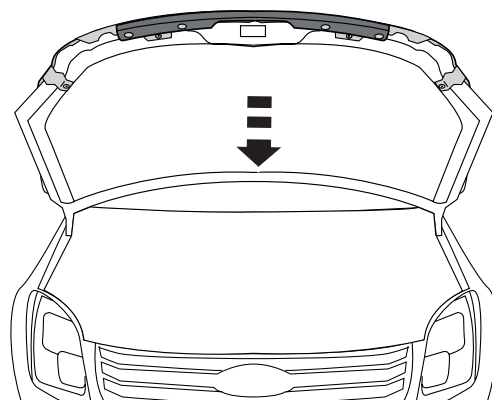
NOTE: Actual application may vary slightly from drawings.

Reinstall previously removed trim piece and fasteners.



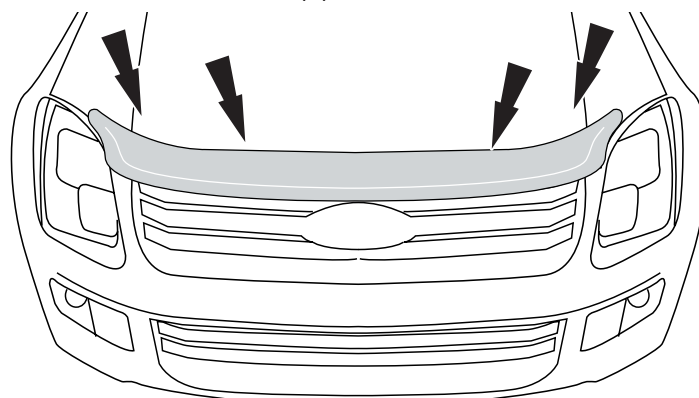
9

Close hood.



10

Install (4) bump ons.



11

Care and Cleaning

- Wash only with mild soap & dry with a clean cloth.

Congratulations!

You have purchased one of the many quality Auto Ventshade™ branded products offered by Lund International, Inc. We take the utmost pride in our products and want you to enjoy years of satisfaction from your investment. We have made every effort to ensure that your product is top quality in terms of fit, durability, finish and ease of installation.



When it comes to quality stone and bug deflectors, AVS is the brand you can depend on.