

Installation Instructions



Bugflector® - Bugflector II® - Carflector®

Important Safety Information

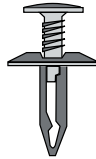


- CAUTION - Before driving, ensure that the hood shield is properly secured to vehicle.
- Do not use automatic "brush-style" car washes.
- Do not use cleaning solvents of any kind.
- Periodically check all components for tightness.

Contents **NOTE:** Actual product may vary from illustration.



Hood Shield



Long Fasteners x2



Short Fasteners x2

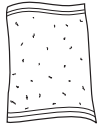


Bump On x4

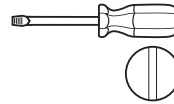
Tools Required



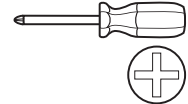
Car Wash Supplies



Clean Towel



Flathead Screwdriver



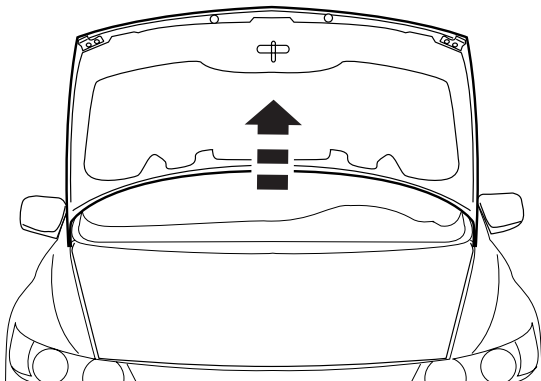
Phillips Screwdriver

Preparation Before Painting / Installation

- A trial fit is recommended to ensure proper positioning and fit.
- Check fit of parts before painting as we will not accept the return of modified or painted parts.
- Wash and dry your vehicle to remove any debris and/or dirt from the installation area.

Installation Steps **NOTE:** Actual application may vary slightly from illustrations.

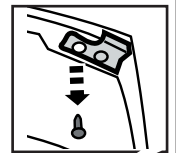
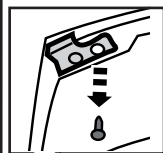
Open hood.



1



Locate (2) corner trim pads on underside of hood. Remove and discard the **INBOARD** fasteners from each trim pad.

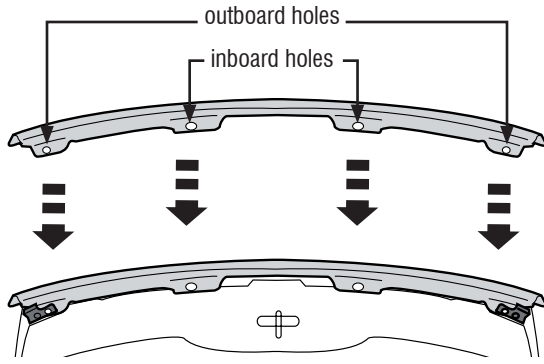


2

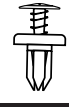
Installation Steps

NOTE: Actual application may vary slightly from drawings.

Align holes in hood shield with holes in hood. The hood shield goes **UNDER** the corner trim pads.

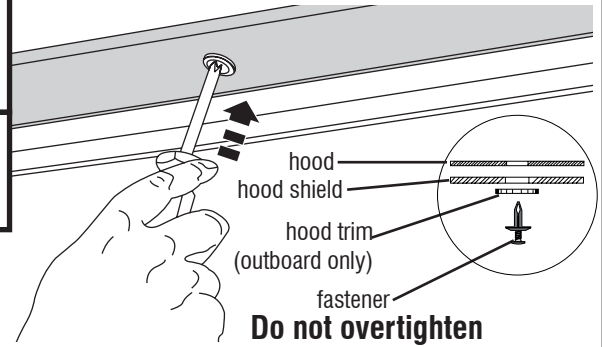


3

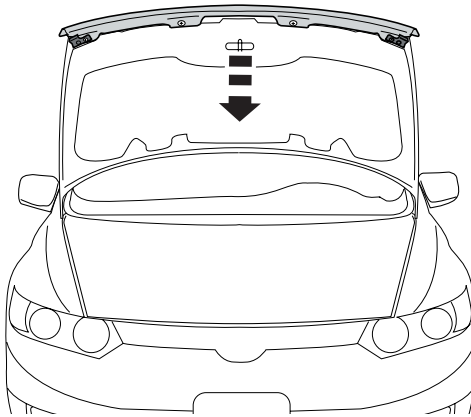


4

Using a phillips screwdriver, install (2) long fasteners in the **OUTBOARD** holes. Install (2) short fasteners in **INBOARD** holes.

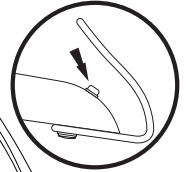


Close hood.



5

Install (4) bump ons.



6

Care and Cleaning

- Wash only with mild soap & dry with a clean cloth.

Congratulations!

You have purchased one of the many quality Auto Ventshade™ branded products offered by Lund International, Inc. We take the utmost pride in our products and want you to enjoy years of satisfaction from your investment. We have made every effort to ensure that your product is top quality in terms of fit, durability, finish and ease of installation.



When it comes to quality stone and bug deflectors, AVS is the brand you can depend on.