

Installation Instructions



Bugflector® - Bugflector II® - Carflector® - Chrome Hood Shield™

Important Safety Information



- CAUTION - Before driving, ensure that the hood shield is properly anchored to vehicle.
- Do not use automatic "brush-style" car washes.
- Do not use cleaning solvents of any kind.
- Periodically check all components for tightness.

Contents NOTE: Actual product may vary from illustration.



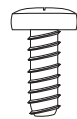
Hood Shield



Bump On
x4



Plastic Washer
x6

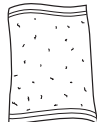


Screw
x6

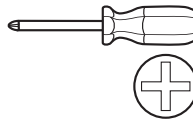
Tools Required



Car Wash Supplies



Clean Towel



Phillips Screwdriver



Grease pencil



Small Pry bar

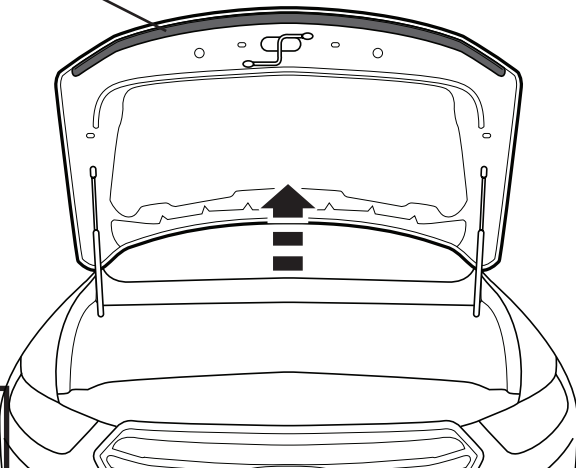
Preparation Before Painting / Installation

- A trial fit is recommended to ensure proper positioning and fit.
- Check fit of parts before painting as we will not accept the return of modified or painted parts.
- Wash your vehicle's hood to remove any debris and/or dirt.
- Dry the hood with a clean towel.
- Do NOT install hood shield if vehicle does NOT have a factory installed hood seal / gasket.

Installation Steps NOTE: Actual application may vary slightly from illustrations.

Open hood. Note the location of rubber seal on leading edge of hood.

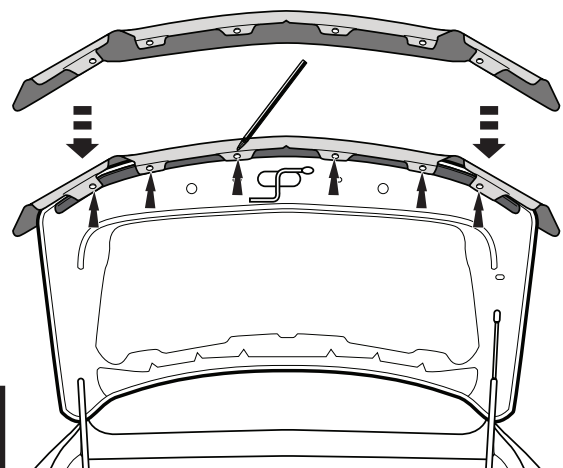
Rubber seal



1



Center hood shield in place on hood. Use a grease pencil to mark the locations on rubber seal that correspond to (6) holes on hood shield flange.



2

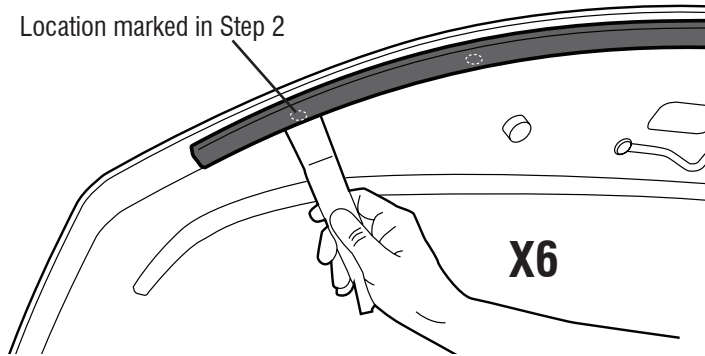
Installation Steps

NOTE: Actual application may vary slightly from illustrations.



Remove hood shield from hood. Use a small pry bar to remove the factory installed fasteners attaching the rubber seal to the hood at the (6) locations marked in **Step 2**.

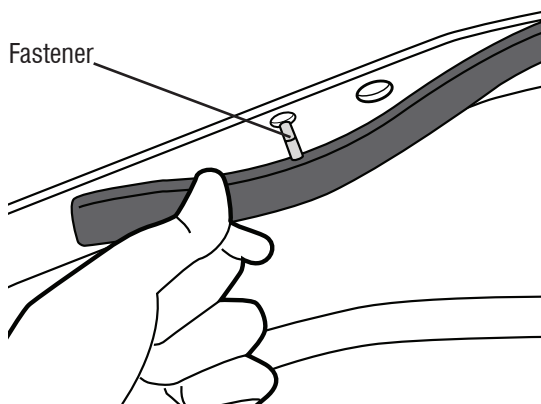
Location marked in Step 2



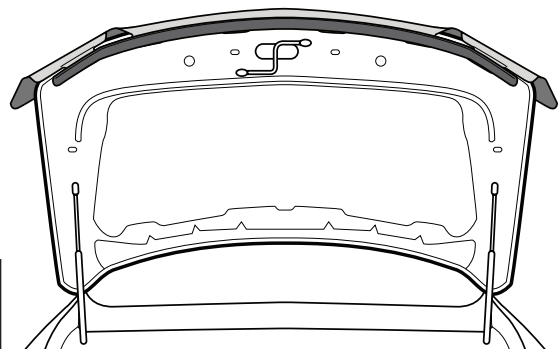
NOTE: Exercise extreme caution not to tear or damage the rubber seal when separating from hood.

3

Remove and discard the factory installed fastener.



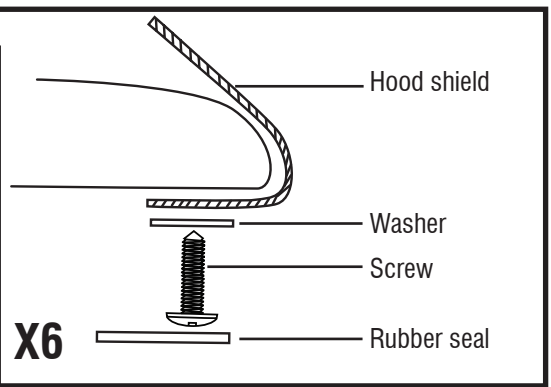
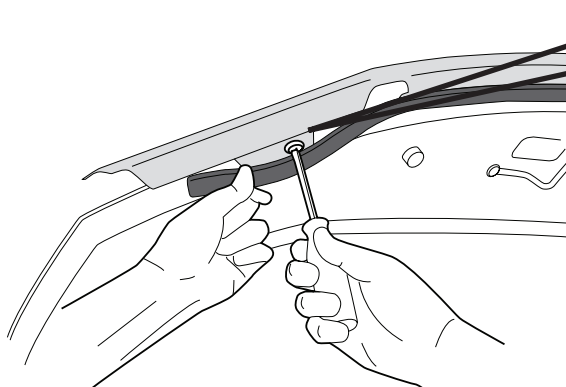
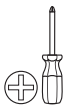
Reposition the hood shield on the hood with the flanges sliding **between** the hood and the rubber seal. Align holes in hood shield flange with holes in hood.



4

5

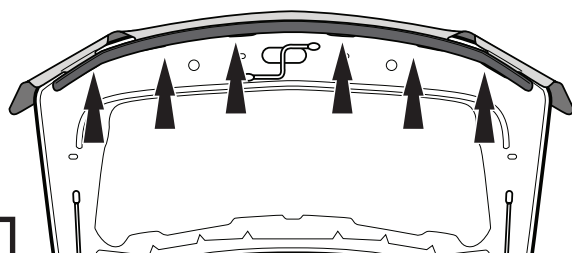
Gently pull the rubber seal back, and install (1) screw with (1) washer through hood shield flange and into hood. Repeat for remaining locations.



6

X6

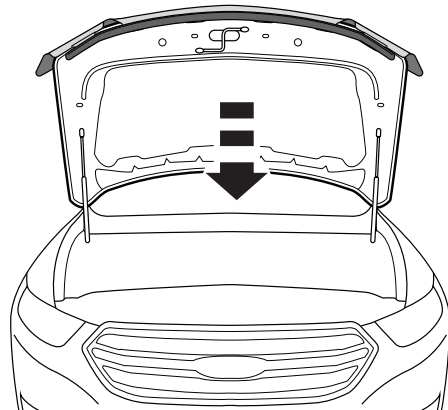
Tighten all (6) screws until snug to secure hood shield to hood.



NOTE: DO NOT OVER TIGHTEN

7

Close Hood.



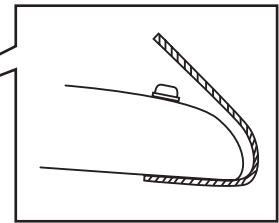
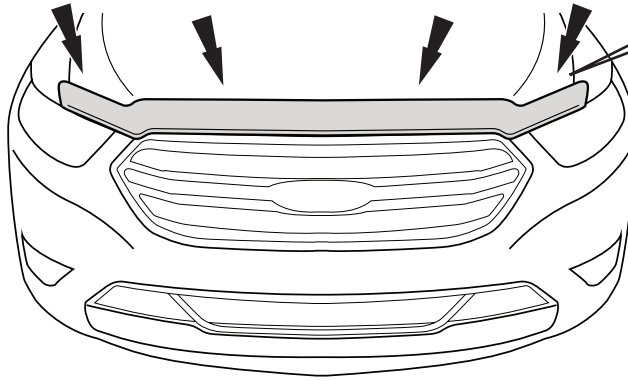
8

Installation Steps

NOTE: Actual application may vary slightly from illustrations.



Apply bump ons to surface of hood



X4

9

Care and Cleaning

- Wash only with mild soap & dry with a clean cloth.

Congratulations!

You have purchased one of the many quality Auto Ventshade™ branded products offered by Lund International, Inc. We take the utmost pride in our products and want you to enjoy years of satisfaction from your investment. We have made every effort to ensure that your product is top quality in terms of fit, durability, finish and ease of installation.



When it comes to quality stone and bug deflectors, AVS is the brand you can depend on.