

Installation Instructions



Bugflector® - Bugflector II® - Carflector® - Chrome Hood Shield™

Important Safety Information



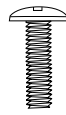
- CAUTION - Before driving, ensure that the hood shield is properly secured to vehicle.
- Do not use automatic "brush-style" car washes.
- Do not use cleaning solvents of any kind.
- Periodically check all components for tightness.

Contents

NOTE: Actual product may vary from illustration.



Hood shield



Machine Screw x2



Well Nut x2



Washer x2



Alcohol Pad

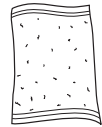


Bump On x4

Tools Required



Car Wash Supplies



Clean Towel



Phillips screwdriver

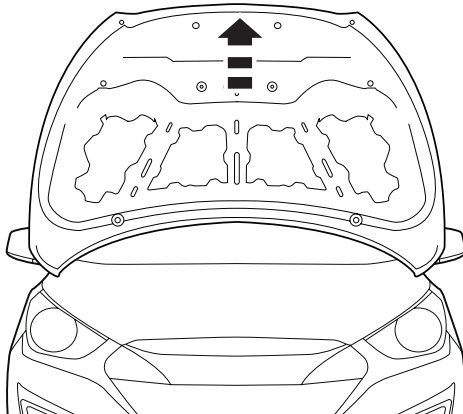
Preparation Before Painting / Installation

- A trial fit is recommended to ensure proper positioning and fit.
- Check fit of parts before painting as we will not accept the return of modified or painted parts.
- Wash and dry your vehicle to remove any debris and/or dirt from the installation area.

Installation Steps

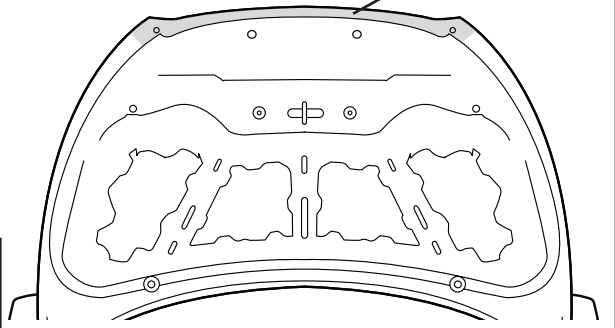
NOTE: Actual application may vary slightly from illustrations.

Open hood.



1

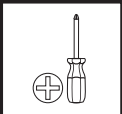
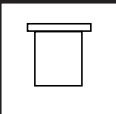
Clean leading edge of hood with an alcohol pad.



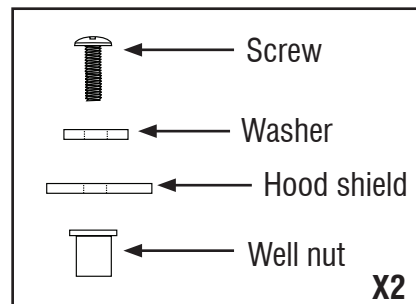
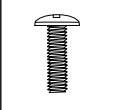
2

Installation Steps

NOTE: Actual application may vary slightly from illustrations.

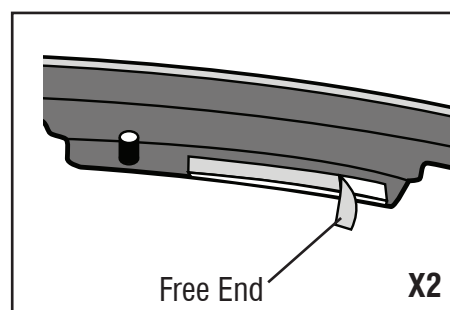
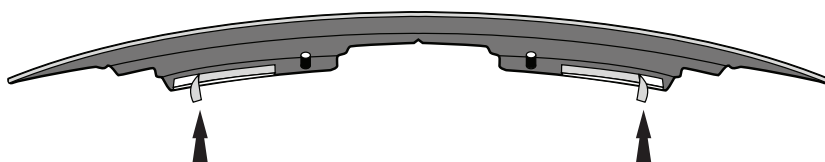


Install (2) wellnuts on hood shield flanges using (2) machine screws and (2) washers. Tighten finger tight only at this point.



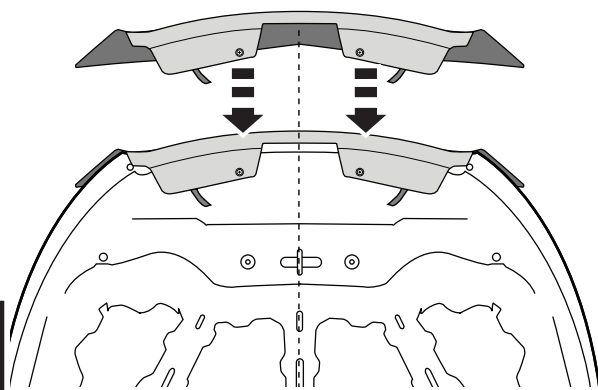
3

Expose 2" (5cm) of tape liner from each end of the flanges on the hood shield. Ensure that free ends are accessible.

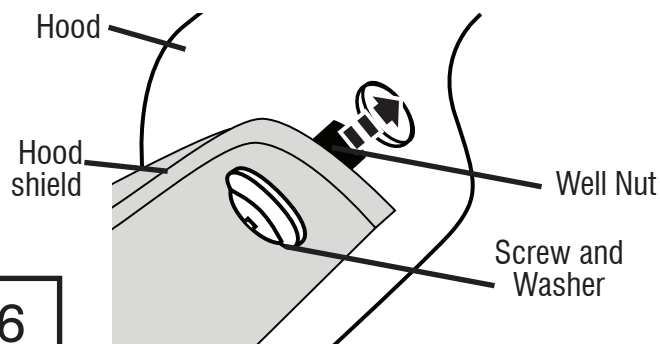


4

Position hood shield in place on hood. Ensure that the well nuts in hood shield are properly aligned with the holes in the hood.



NOTE: observe the alignment from the side view in order to guide the hood shield with its attached well nut into the proper hole in the hood.



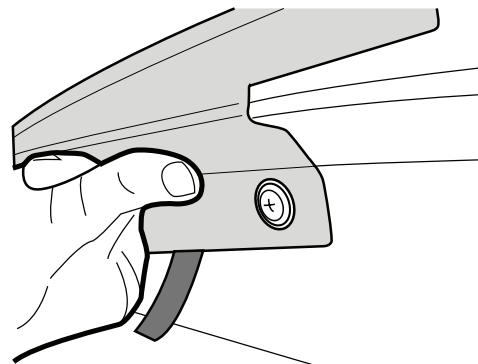
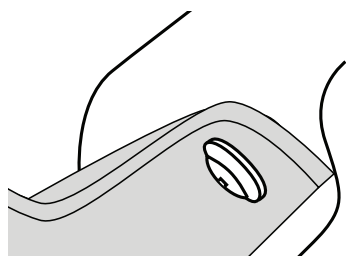
5

6



With the well nut inserted into hole in hood, secure hood shield to hood by tightening screw to expand well nut. Repeat for remaining fastener.

Press and hold hood shield against underside lip (leading edge) of hood while peeling backing off tape.



7

NOTE: DO NOT OVER TIGHTEN

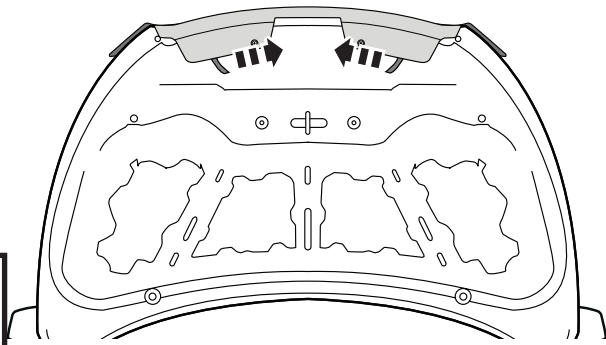
8

Installation Steps

NOTE: Actual application may vary slightly from illustrations.

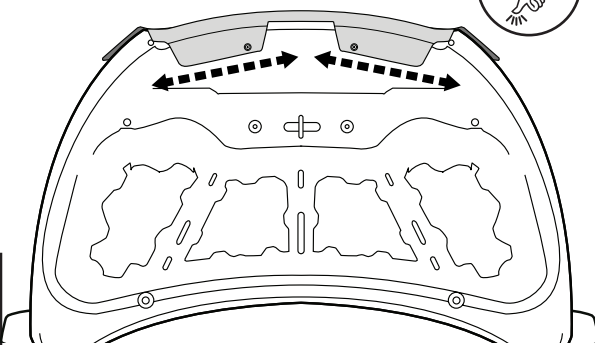
Remove remaining tape liner by pulling on the free ends.

9



Apply pressure to flange to ensure proper adhesion of tape.

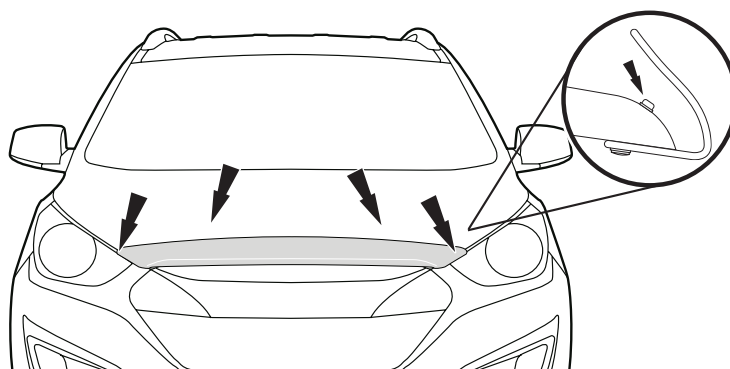
10



Close hood and install (4) bump ons at pre-cleaned locations on the painted hood surface.



11



Care and Cleaning

- Wash only with mild soap & dry with a clean cloth.

Congratulations!

You have purchased one of the many quality Auto Ventshade™ branded products offered by Lund International, Inc. We take the utmost pride in our products and want you to enjoy years of satisfaction from your investment. We have made every effort to ensure that your product is top quality in terms of fit, durability, finish and ease of installation.



When it comes to quality stone and bug deflectors, AVS is the brand you can depend on.