

# Installation Instructions



## Bugflector® - Bugflector II® - Carflector® - Chrome Hood Shield™

### Important Safety Information



- CAUTION - Before driving, ensure that the hood shield is properly secured to vehicle.
- Do not use automatic "brush-style" car washes.
- Do not use cleaning solvents of any kind.
- Periodically check all components for tightness.

### Contents

**NOTE:** Actual product may vary from illustration.



Hood shield



Alcohol Pad x2

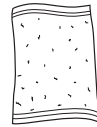


Bump On x2

### Tools Required



Car Wash Supplies



Clean Towel

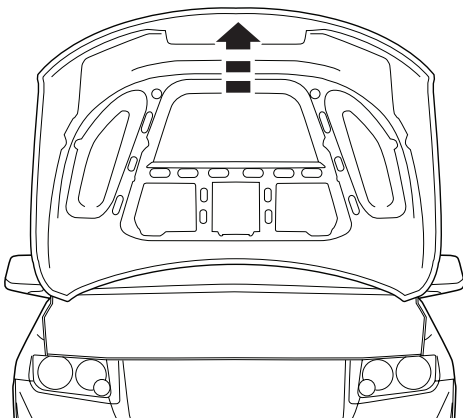
### Preparation Before Painting / Installation

- A trial fit is recommended to ensure proper positioning and fit.
- Check fit of parts before painting as we will not accept the return of modified or painted parts.
- Wash and dry your vehicle to remove any debris and/or dirt from the installation area.

### Installation Steps

**NOTE:** Actual application may vary slightly from illustrations.

Open hood.



1



Thoroughly clean underside of the leading edge of hood with the enclosed alcohol pads and allow to dry.

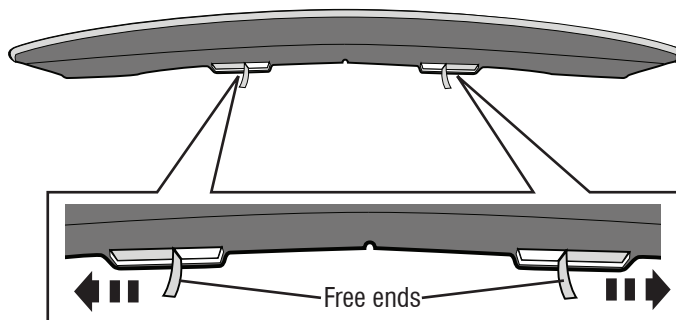


2

## Installation Steps

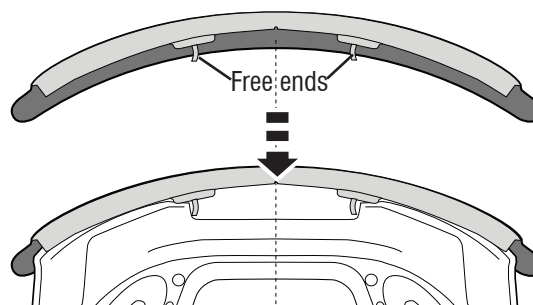
**NOTE:** Actual application may vary slightly from illustrations.

Peel back 2" (5 cm) of tape liner from each flange.



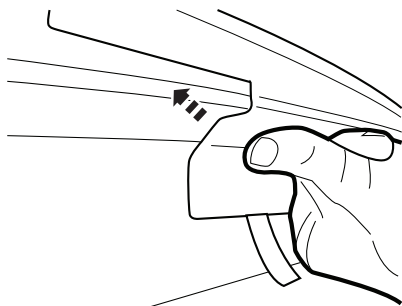
3

Center hood shield on hood. Ensure free ends of tape liner are accessible.



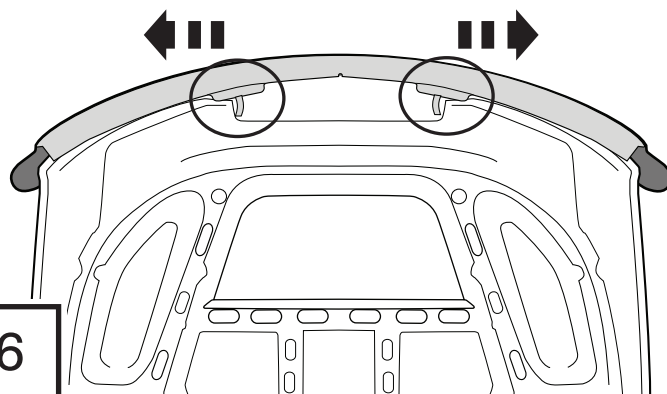
4

Press and hold hood shield against underside lip (leading edge) of hood while peeling off remaining tape liner.



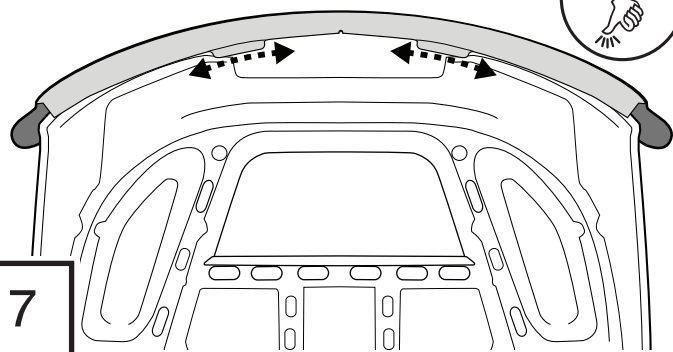
5

Remove remaining tape liner by pulling on the free ends.



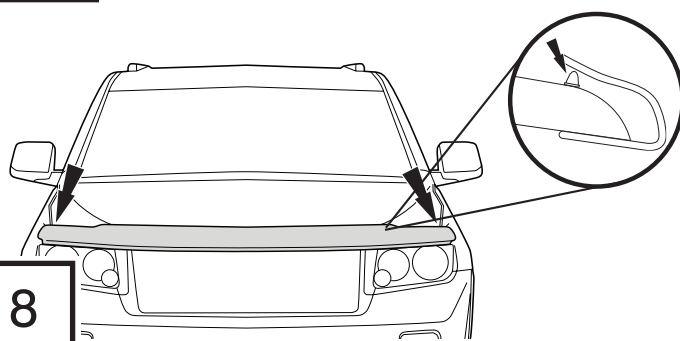
6

Apply pressure to both flanges to ensure proper adhesion of tape.



7

Adjust bumper stops as needed to ensure hood shield clears grille and headlights. Close hood, Install (2) bump ons at pre-cleaned areas of hood surface.



8

## Care and Cleaning

- Wash only with mild soap & dry with a clean cloth.

## Congratulations!

You have purchased one of the many quality Auto Ventshade™ branded products offered by Lund International, Inc. We take the utmost pride in our products and want you to enjoy years of satisfaction from your investment. We have made every effort to ensure that your product is top quality in terms of fit, durability, finish and ease of installation.



Rely on premium stone and bug deflectors by AVS if you're looking for quality and efficiency.