

Installation Instructions



Bugflector® - Bugflector II® - Carflector® - Chrome Hood Shield™

Important Safety Information



- CAUTION - Before driving, ensure that the hood shield is properly secured to vehicle.
- Do not use automatic "brush-style" car washes.
- Do not use cleaning solvents of any kind.
- Periodically check all components for tightness.

Contents **NOTE:** Actual product may vary from illustration.



Hood shield



Fasteners
x 2



Fasteners
x 2

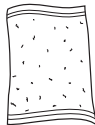


Bump ons
x 4

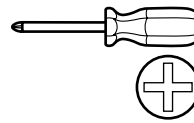
Tools Required



Car Wash Supplies



Clean Towel



Phillips
screwdriver



Grease
Pencil

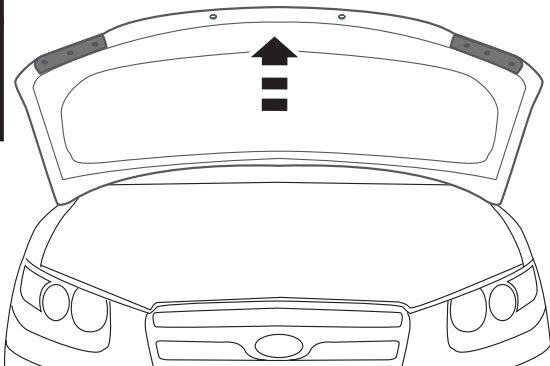
Preparation Before Painting / Installation

- A trial fit is recommended to ensure proper positioning and fit.
- Check fit of parts before painting as we will not accept the return of modified or painted parts.
- Wash and dry your vehicle to remove any debris and/or dirt from the installation area.

Installation Steps **NOTE:** Actual application may vary slightly from illustrations.



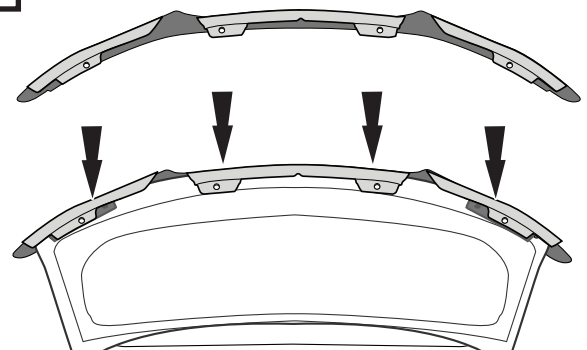
Raise hood and clean the leading edge thoroughly, and allow to dry.



1



Test fit hood shield by centering it on the hood edge. Note where the mounting holes in the hood shield flange will be and mark with a grease pencil.

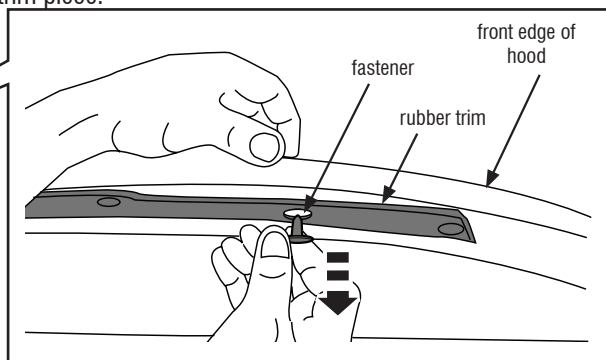
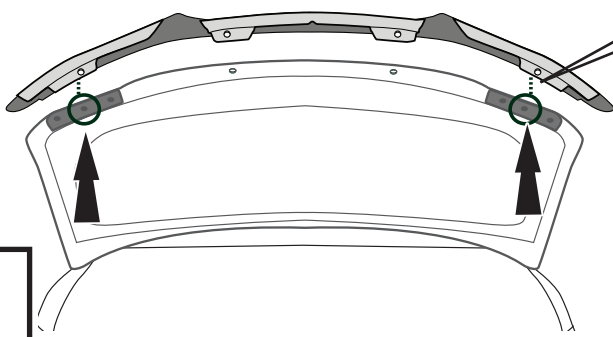


2

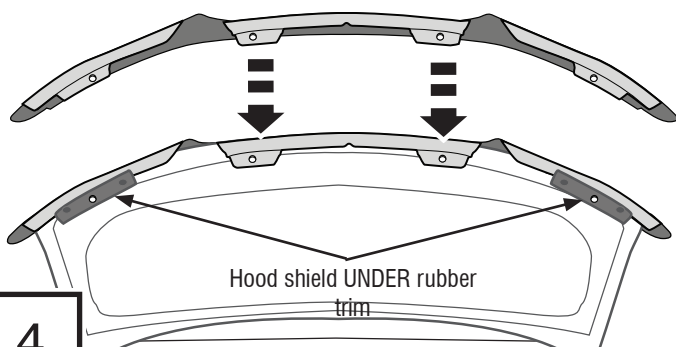
Installation Steps **NOTE:** Actual application may vary slightly from illustrations.

Remove the corresponding fasteners from the outboard rubber trim pieces. This is necessary in order for the hood shield flange to slide **under** the rubber trim piece.

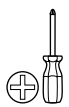
3



Align hood shield with holes in hood. Hood shield slides **UNDER** the rubber trim pieces.

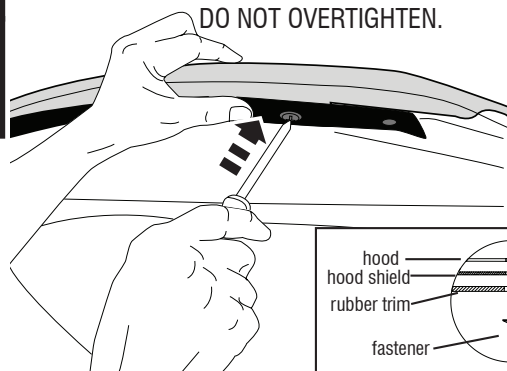


4



Insert (2) long fasteners through holes in rubber trim, then through hood shield, and into hood. Tighten fasteners.

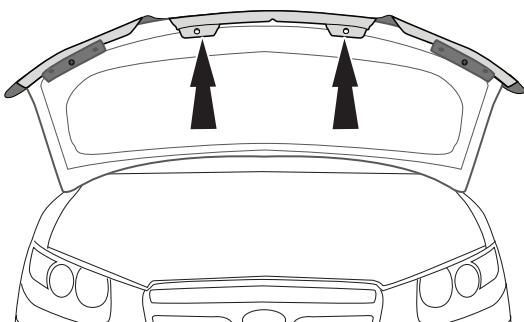
DO NOT OVERTIGHTEN.



5



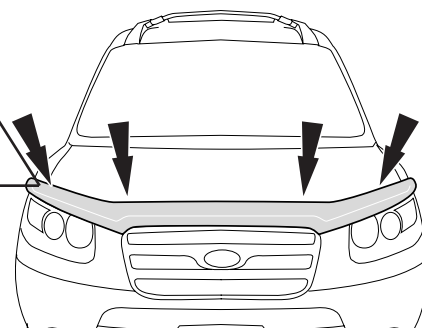
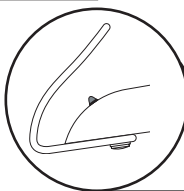
Install (2) short fasteners by firmly pressing in with screwdriver. **DO NOT OVERTIGHTEN.**



6



Close hood. Install (4) bump ons on pre-cleaned areas of hood surface. Adjust bumper stops as needed to ensure hood shield clears grille and headlights.



7

Care and Cleaning

- Wash only with mild soap & dry with a clean cloth.

Congratulations!

You have purchased one of the many quality Auto Ventshade™ branded products offered by Lund International, Inc. We take the utmost pride in our products and want you to enjoy years of satisfaction from your investment. We have made every effort to ensure that your product is top quality in terms of fit, durability, finish and ease of installation.



When it comes to quality stone and bug deflectors, AVS is the brand you can depend on.