

# Installation Instructions



## Bugflector® - Bugflector II® - Carflector® - Chrome Hood Shield™

### Important Safety Information



- CAUTION - Before driving, ensure that the hood shield is properly secured to vehicle.
- Do not use automatic "brush-style" car washes.
- Do not use cleaning solvents of any kind.
- Periodically check all components for tightness.

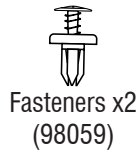
### Contents **NOTE:** Actual product may vary from illustration.



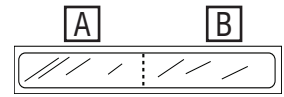
Hood shield



Bump Ons x4



Fasteners x2  
(98059)



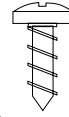
Protective Film (Long)



Hood Insert x4  
(39-4150)



Washer x4  
(98022)



Screws x4  
(98023)

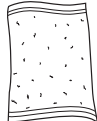


Protective Film (Short)

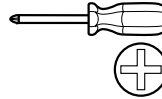
### Tools Required



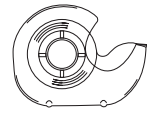
Car Wash Supplies



Clean Towel



Phillips Screwdriver



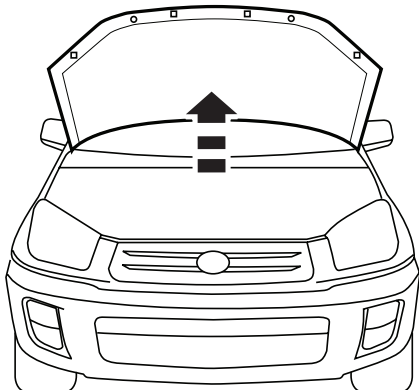
Tape

### Preparation Before Painting / Installation

- A trial fit is recommended to ensure proper positioning and fit.
- Check fit of parts before painting as we will not accept the return of modified or painted parts.
- Wash and dry your vehicle to remove any debris and/or dirt from the installation area.

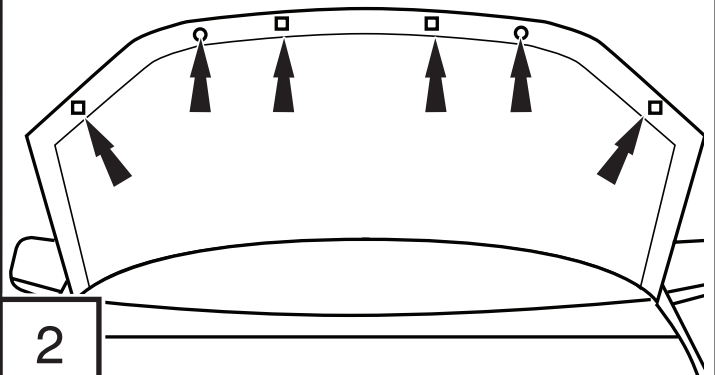
### Installation Steps **NOTE:** Actual application may vary slightly from illustrations.

Open hood.



1

Locate (4) square holes and (2) round holes on underside of hood.

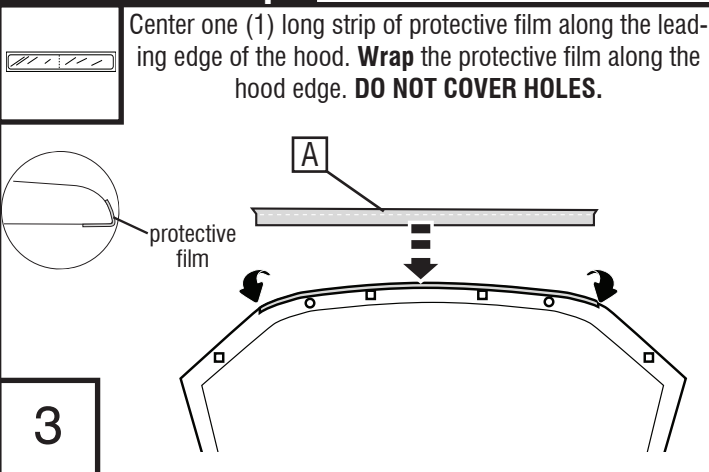


2

# Installation Steps

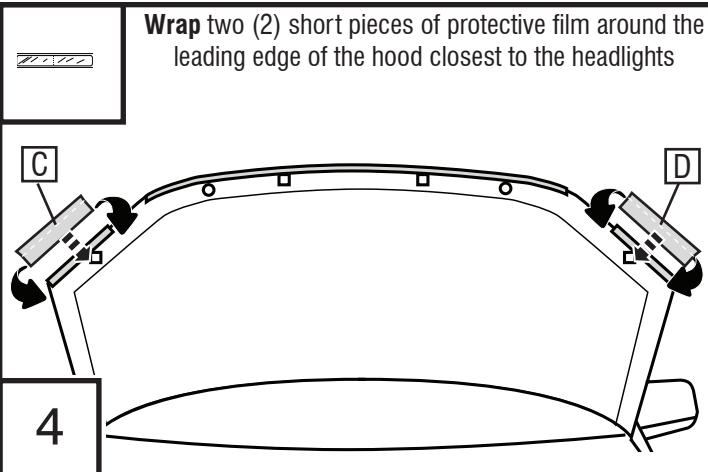
**NOTE:** Actual application may vary slightly from illustrations.

Center one (1) long strip of protective film along the leading edge of the hood. **Wrap** the protective film along the hood edge. **DO NOT COVER HOLES.**



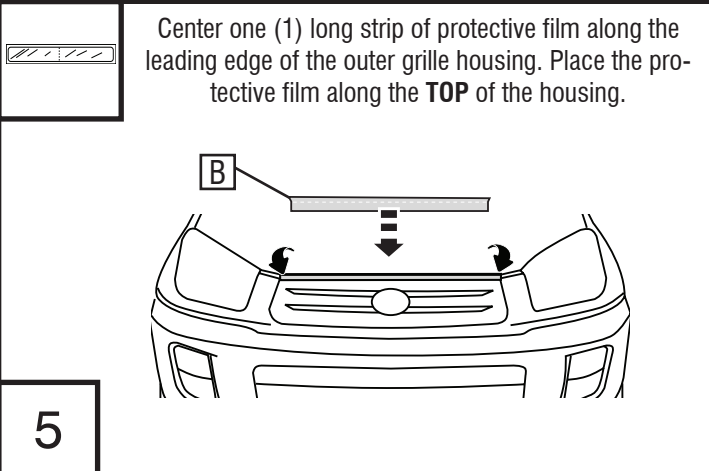
3

**Wrap** two (2) short pieces of protective film around the leading edge of the hood closest to the headlights



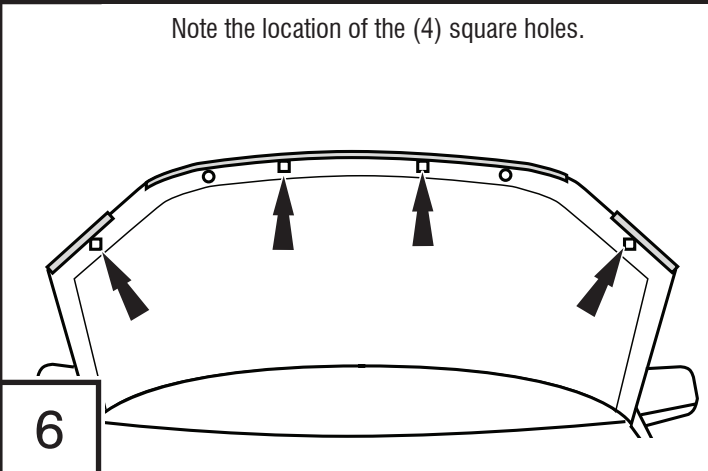
4

Center one (1) long strip of protective film along the leading edge of the outer grille housing. Place the protective film along the **TOP** of the housing.



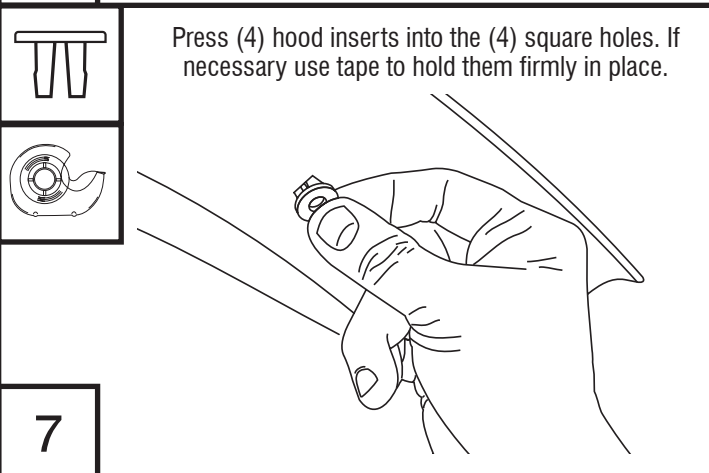
5

Note the location of the (4) square holes.



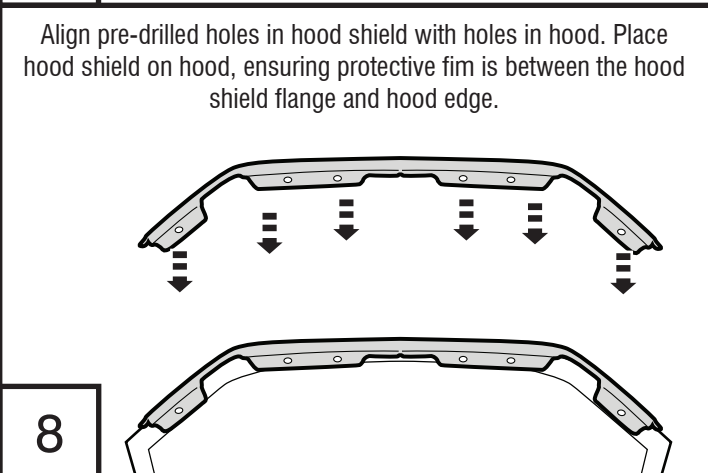
6

Press (4) hood inserts into the (4) square holes. If necessary use tape to hold them firmly in place.



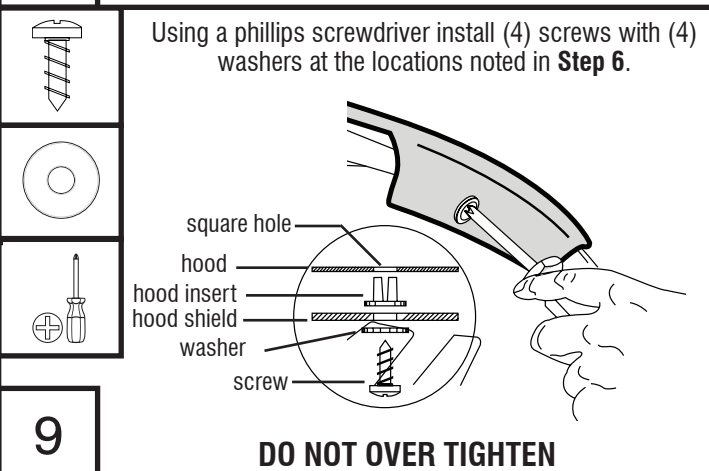
7

Align pre-drilled holes in hood shield with holes in hood. Place hood shield on hood, ensuring protective film is between the hood shield flange and hood edge.



8

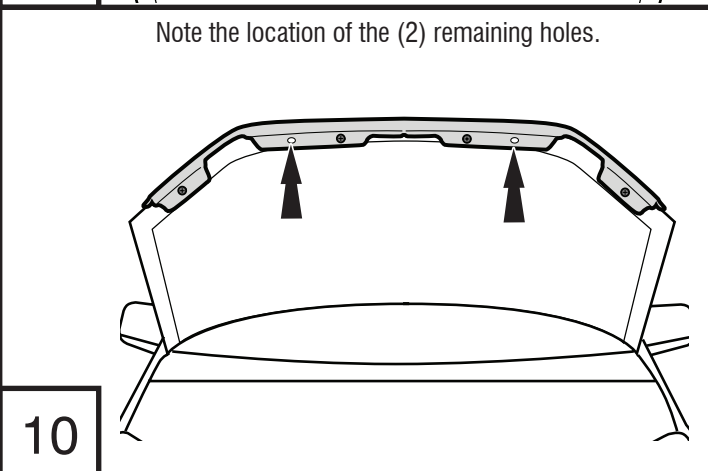
Using a phillips screwdriver install (4) screws with (4) washers at the locations noted in **Step 6**.



9

**DO NOT OVER TIGHTEN**

Note the location of the (2) remaining holes.



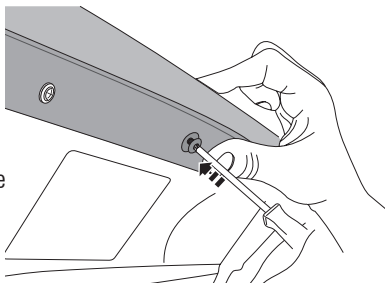
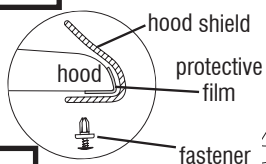
10

## Installation Steps

**NOTE:** Actual application may vary slightly from illustrations.



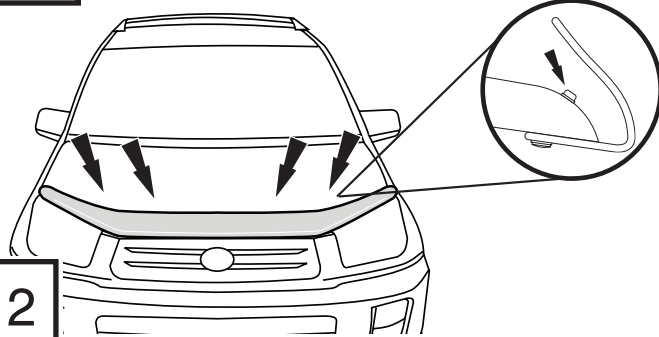
Insert (1) fastener and push firmly through hole in hood shield and into hood to secure. Repeat for remaining hole location.



**DO NOT OVER TIGHTEN**



Close hood, and install bump ons at pre-cleaned locations on the painted hood surface.



11

12

## Care and Cleaning

- Wash only with mild soap & dry with a clean cloth.

## Congratulations!

You have purchased one of the many quality Auto Ventshade™ branded products offered by Lund International, Inc. We take the utmost pride in our products and want you to enjoy years of satisfaction from your investment. We have made every effort to ensure that your product is top quality in terms of fit, durability, finish and ease of installation.



Rely on premium stone and bug deflectors by AVS if you're looking for quality and efficiency.