

# Installation Instructions



## Bugflector<sup>®</sup> - Bugflector II<sup>®</sup> - Carflector<sup>®</sup> - Chrome Hood Shield<sup>™</sup>

### Important Safety Information



- CAUTION - Before driving, ensure that the hood shield is properly anchored to vehicle.
- Do not use automatic "brush-style" car washes.
- Do not use cleaning solvents of any kind.
- Periodically check all components for tightness.

### Contents **NOTE:** Actual product may vary from illustration.



Hood Shield



Hood Insert x6



Washer x6



Screw x6

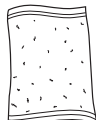


Bump On x4

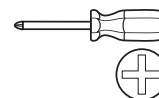
### Tools Required



Car Wash Supplies



Clean Towel



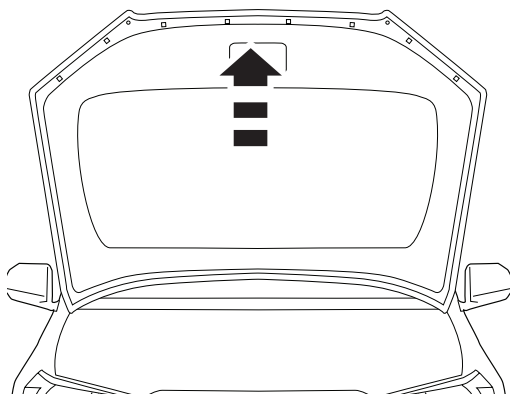
Appropriate hand tools

### Preparation Before Painting / Installation

- A trial fit is recommended to ensure proper positioning and fit.
- Check fit of parts before painting as we will not accept the return of modified or painted parts.
- Wash and dry your vehicle to remove any debris and/or dirt from the installation area.

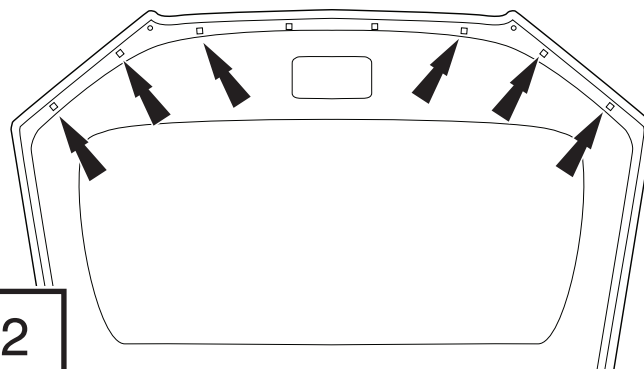
### Installation Steps **NOTE:** Actual application may vary slightly from illustrations.

Open Hood.



1

Note (6) holes along leading edge of hood.



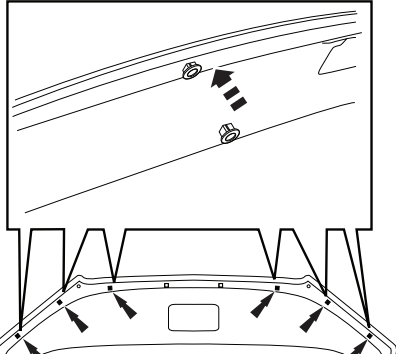
2

## Installation Steps

**NOTE:** Actual application may vary slightly from illustrations.

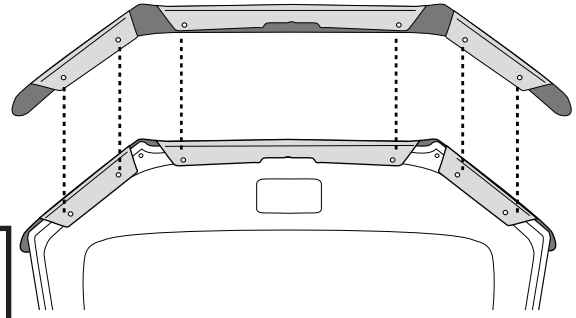


Press (6) hood inserts into hood at the locations identified in **Step 2**.

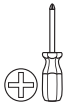


3

Center part on front edge of hood and align holes in hood shield with the previously installed Inserts.

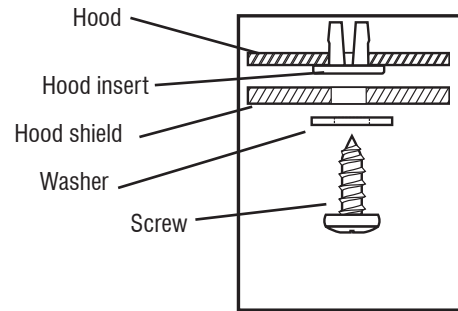
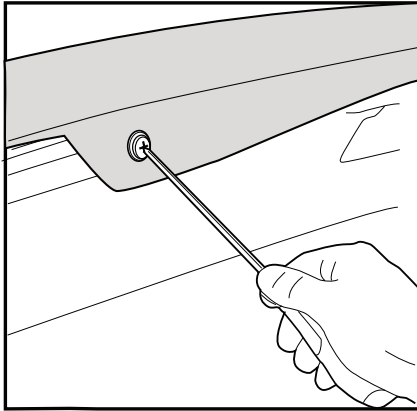


4

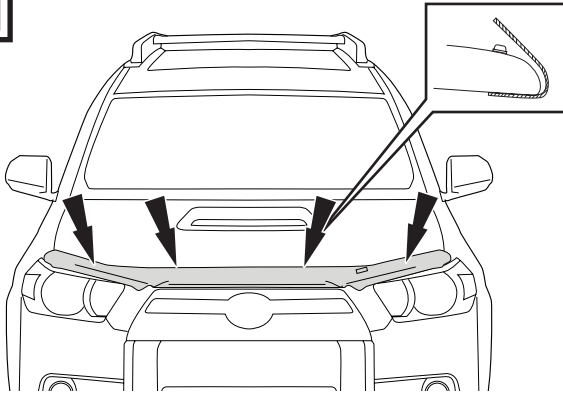


5

Secure hood shield to hood with a screw and washer at each hole location.



Close hood. Apply bump ons to surface of hood



6

## Care and Cleaning

- Wash only with mild soap & dry with a clean cloth.

## Congratulations!

You have purchased one of the many quality Auto Ventshade™ branded products offered by Lund International, Inc. We take the utmost pride in our products and want you to enjoy years of satisfaction from your investment. We have made every effort to ensure that your product is top quality in terms of fit, durability, finish and ease of installation.



Rely on premium stone and bug deflectors by AVS if you're looking for quality and efficiency.