

Installation Instructions



AUTO VENT SHADE™

Bugflector® - Bugflector II® - Carflector®

Important Safety Information



- CAUTION - Before driving, ensure that the hood shield is properly secured to vehicle.
- Do not use automatic "brush-style" car washes.
- Do not use cleaning solvents of any kind.
- Periodically check all components for tightness.

Contents

NOTE: Actual product may vary from illustration.



Hood shield



Bump Ons x4
(98024)

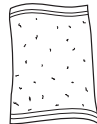


Fasteners x5
(98030)

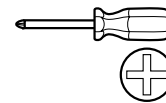
Tools Required



Car Wash Supplies



Clean Towel



Phillips Screwdriver

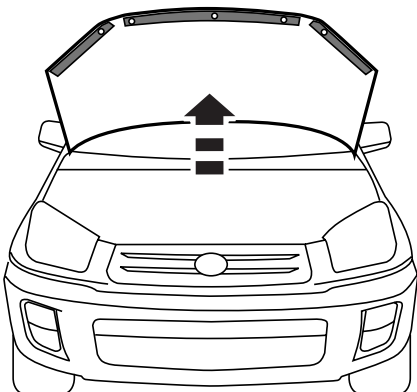
Preparation Before Painting / Installation

- A trial fit is recommended to ensure proper positioning and fit.
- Check fit of parts before painting as we will not accept the return of modified or painted parts.
- Wash and dry your vehicle to remove any debris and/or dirt from the installation area.

Installation Steps

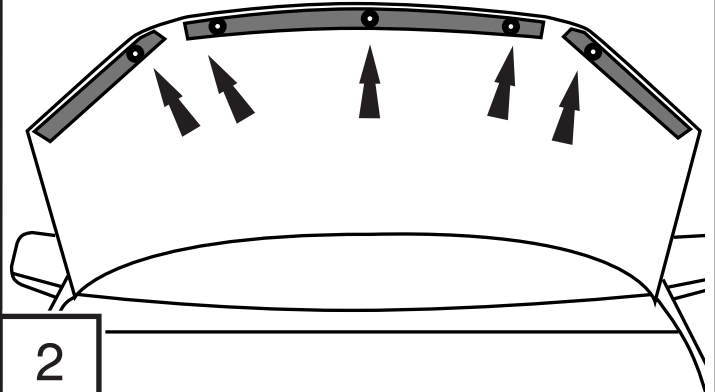
NOTE: Actual application may vary slightly from illustrations.

Open hood.



1

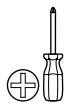
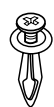
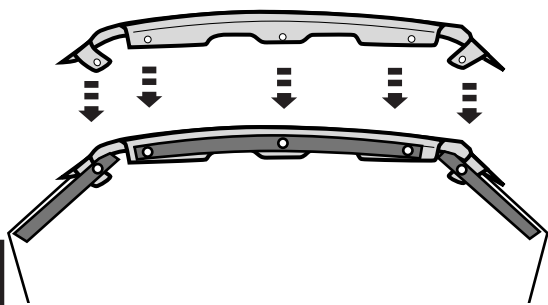
Remove (5) retainers attaching rubber trim to hood.



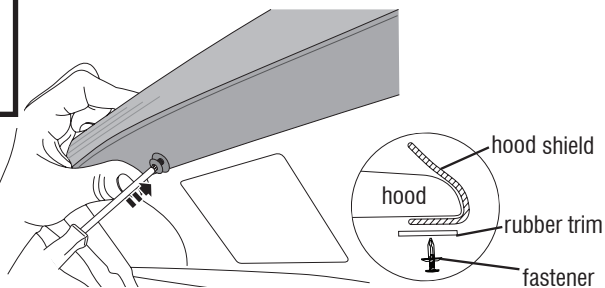
2

Installation Steps **NOTE:** Actual application may vary slightly from illustrations.

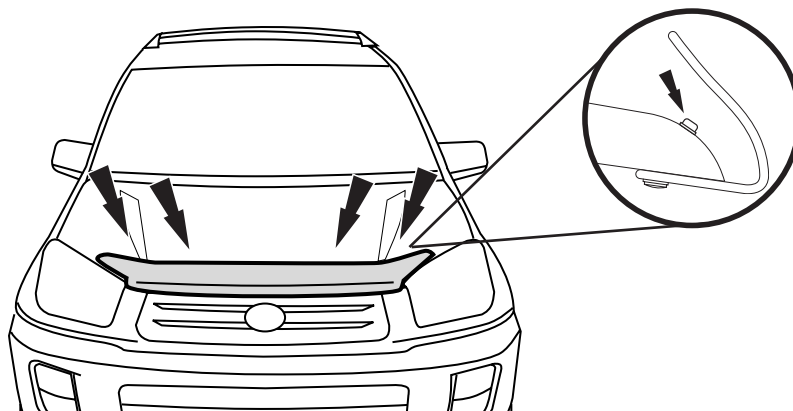
Align pre-drilled holes in hood shield with holes in hood. Hood shield slides **between** hood and rubber trim.



Insert (1) fastener and push firmly through hole in hood shield and into hood to secure. Repeat for remaining (4) fasteners.



Close hood, and install bump ons at pre-cleaned locations on the painted hood surface.



Care and Cleaning

- Wash only with mild soap & dry with a clean cloth.

Congratulations!

You have purchased one of the many quality Auto Ventshade™ branded products offered by Lund International, Inc. We take the utmost pride in our products and want you to enjoy years of satisfaction from your investment. We have made every effort to ensure that your product is top quality in terms of fit, durability, finish and ease of installation.



When it comes to quality stone and bug deflectors, AVS is the brand you can depend on.