

Installation Instructions



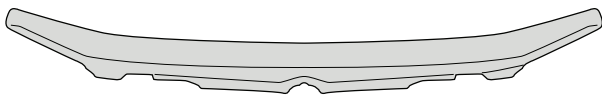
Bugflector® - Bugflector II® - Carflector® - Chrome Hood Shield™

Important Safety Information



- CAUTION - Before driving, ensure that the hood shield is properly anchored to vehicle.
- Do not use automatic "brush-style" car washes.
- Do not use cleaning solvents of any kind.
- Periodically check all components for tightness.

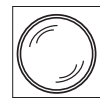
Contents **NOTE:** Actual product may vary from illustration.



Hood Shield



Alcohol Pad

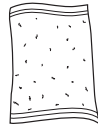


Bump On x4

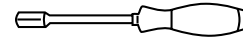
Tools Required



Car Wash Supplies



Clean Towel



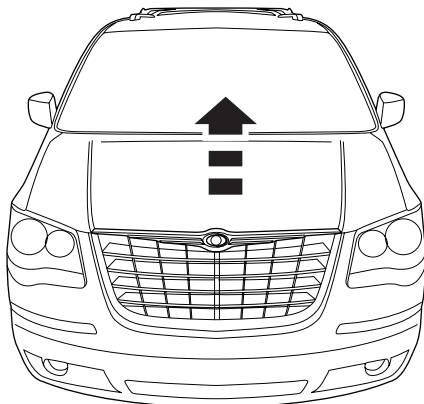
Nut Driver (8 mm)

Preparation Before Painting / Installation

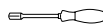
- A trial fit is recommended to ensure proper positioning and fit.
- Check fit of parts before painting as we will not accept the return of modified or painted parts.
- Wash and dry your vehicle to remove any debris and/or dirt from the installation area.

Installation Steps **NOTE:** Actual application may vary slightly from illustrations.

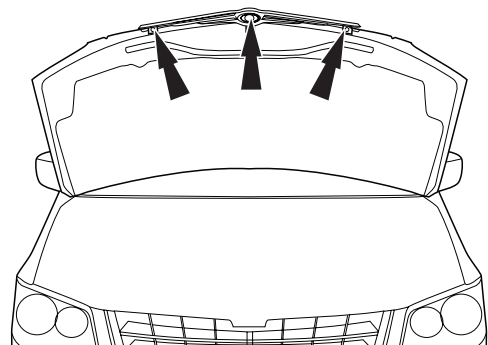
Open Hood.



1



Use an 8mm nut driver to remove (3) retaining nuts that attach the front grill applique to the hood.

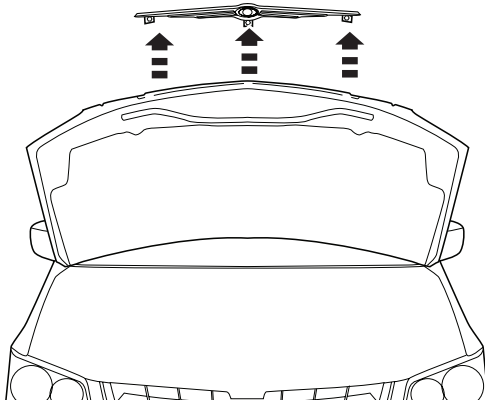


2

Installation Steps

NOTE: Actual application may vary slightly from illustrations.

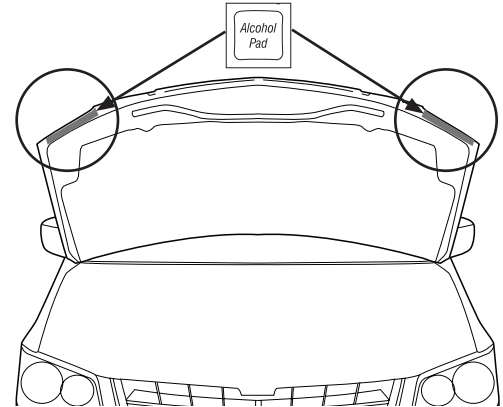
Carefully remove applique from hood.



3

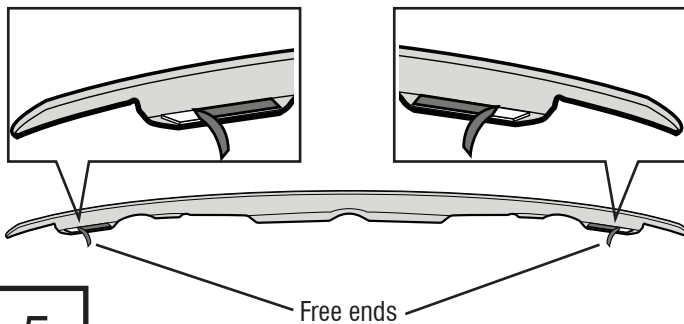
Alcohol Pad

Clean the edge of the hood with an alcohol pad.



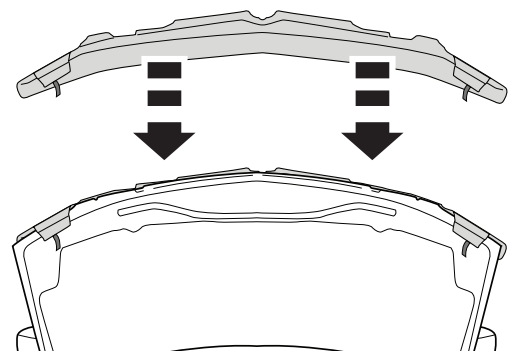
4

Expose 2 inches (5 cm) of tape liner on each of the flanges of the hood shield. Ensure that free ends of tape are accessible.



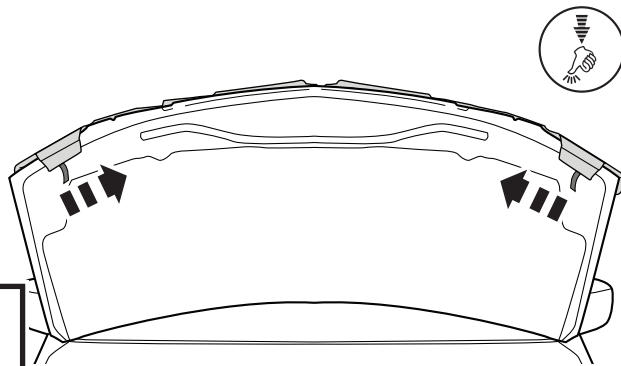
5

Align hood shield with hood edge.



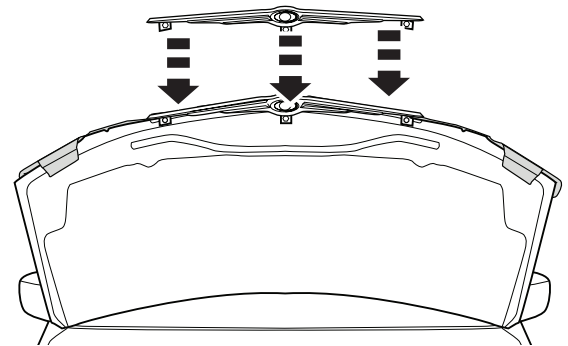
6

Remove remaining tape liner by pulling on free ends. Press firmly on flanges to ensure adhesion of tape to hood surface.



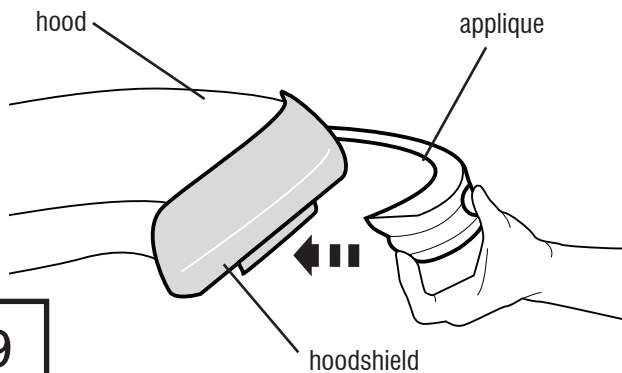
7

Carefully set the applique back into place on the hood.

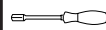


8

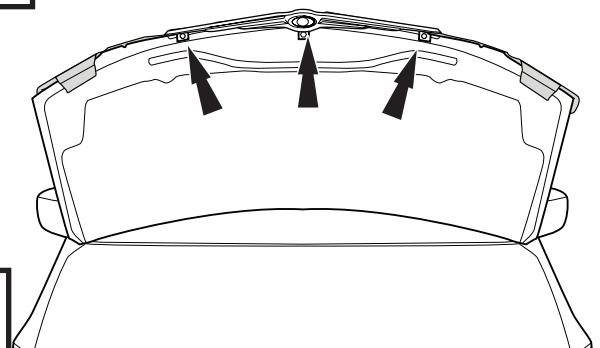
NOTE: The hoodshield should be **BETWEEN** the applique and the hood.



9



Use an 8mm nut driver to reinstall (3) retaining nuts that attach the front grill applique to the hood.

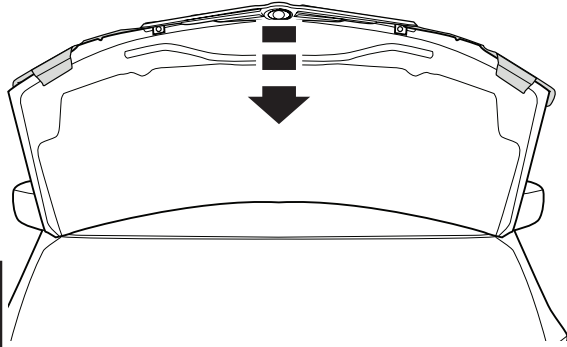


10

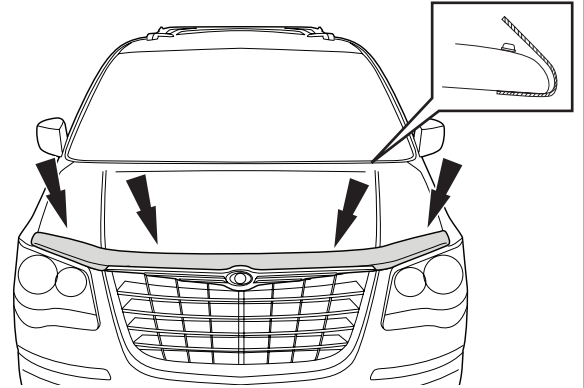
Installation Steps

NOTE: Actual application may vary slightly from illustrations.

Close Hood.



Apply bump ons to surface of hood and fenders.



Care and Cleaning

- Wash only with mild soap & dry with a clean cloth.

Congratulations!

You have purchased one of the many quality Auto Ventshade™ branded products offered by Lund International, Inc. We take the utmost pride in our products and want you to enjoy years of satisfaction from your investment. We have made every effort to ensure that your product is top quality in terms of fit, durability, finish and ease of installation.



When it comes to quality stone and bug deflectors, AVS is the brand you can depend on.