

Installation Instructions



Bugflector[®] - Bugflector II[®] - Carflector[®] - Chrome Hood Shield[™]

Important Safety Information



- CAUTION - Before driving, ensure that the hood shield is properly anchored to vehicle.
- Do not use automatic "brush-style" car washes.
- Do not use cleaning solvents of any kind.
- Periodically check all components for tightness.

Contents **NOTE:** Actual product may vary from illustration.



Hood Shield



Plastic Washer x4



Screw x4



Self tapping screw x2

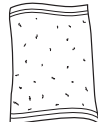


Bump On x4

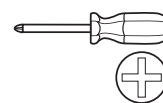
Tools Required



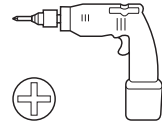
Car Wash Supplies



Clean Towel



Appropriate hand tools

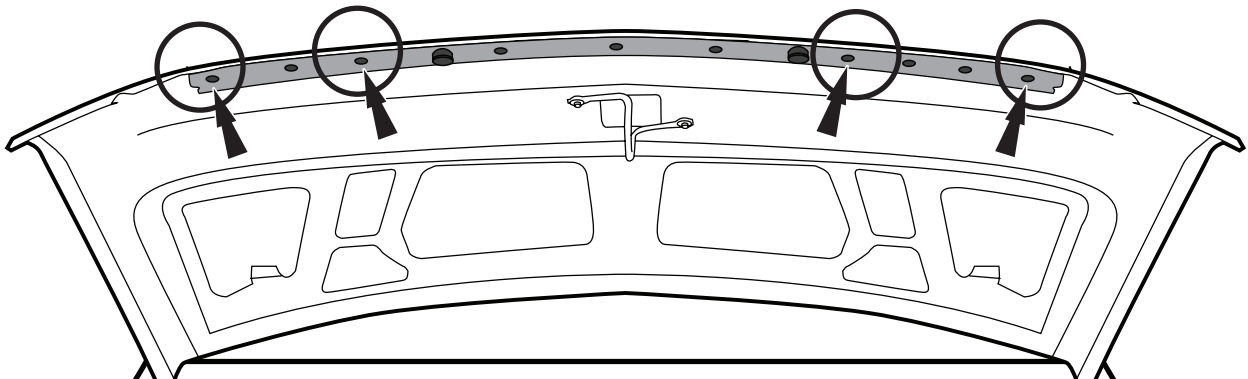


Preparation Before Painting / Installation

- A trial fit is recommended to ensure proper positioning and fit.
- Check fit of parts before painting as we will not accept the return of modified or painted parts.
- Wash and dry your vehicle to remove any debris and/or dirt from the installation area.

Installation Steps **NOTE:** Actual application may vary slightly from illustrations.

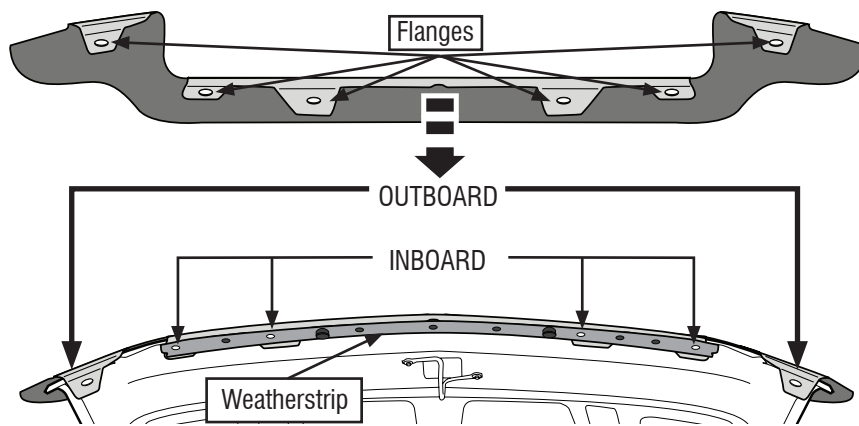
Open Hood. Locate the weatherstrip on the leading edge of the hood, and remove ONLY the (4) fasteners indicated.



1

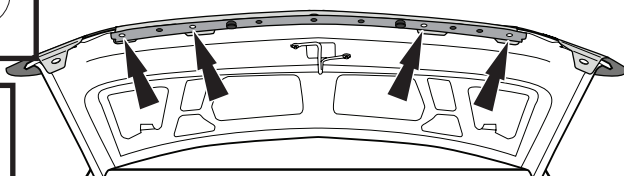
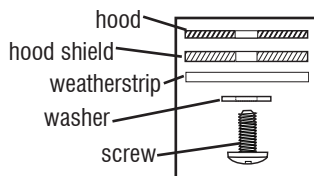
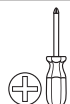
Installation Steps **NOTE:** Actual application may vary slightly from illustrations.

Center part on front edge of hood and align holes under weatherstrip. **NOTE:** weatherstrip should be OVER flanges at INBOARD locations.



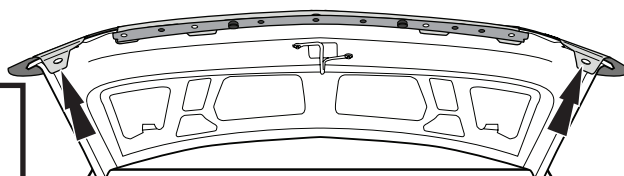
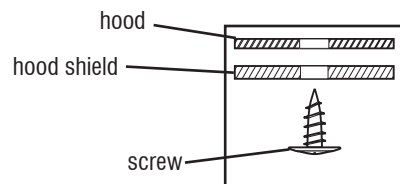
2

Install a screw with washer in each of the (4) inboard hole locations.



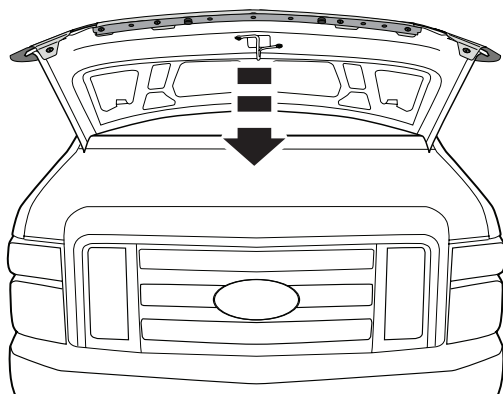
3

Install a self tapping screw in each of the (2) outboard hole locations.



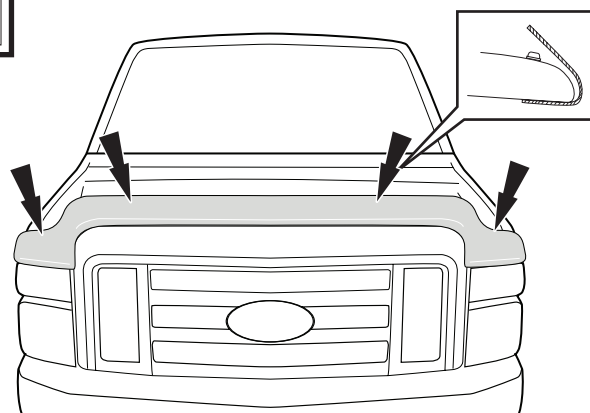
4

Close Hood.



5

Apply bump ons to surface of hood and fenders.



6

Care and Cleaning

- Wash only with mild soap & dry with a clean cloth.

Congratulations!

You have purchased one of the many quality Auto Ventshade™ branded products offered by Lund International, Inc. We take the utmost pride in our products and want you to enjoy years of satisfaction from your investment. We have made every effort to ensure that your product is top quality in terms of fit, durability, finish and ease of installation.



When it comes to quality stone and bug deflectors, AVS is the brand you can depend on.