

# Installation Instructions



## Bugflector<sup>®</sup> - Bugflector II<sup>®</sup> - Carflector<sup>®</sup> - Chrome Hood Shield<sup>™</sup>

### Important Safety Information

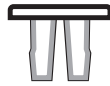


- CAUTION - Before driving, ensure that the hood shield is properly anchored to vehicle.
- Do not use automatic "brush-style" car washes.
- Do not use cleaning solvents of any kind.
- Periodically check all components for tightness.

### Contents **NOTE:** Actual product may vary from illustration.



Hood Shield



Hood Insert x2



Washer x2



Screw x2



Fastener x2

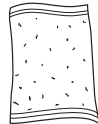


Bump On x4

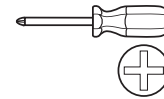
### Tools Required



Car Wash Supplies



Clean Towel



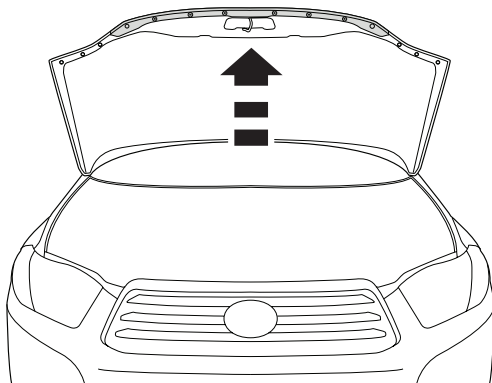
Appropriate hand tools

### Preparation Before Painting / Installation

- A trial fit is recommended to ensure proper positioning and fit.
- Check fit of parts before painting as we will not accept the return of modified or painted parts.
- Wash and dry your vehicle to remove any debris and/or dirt from the installation area.

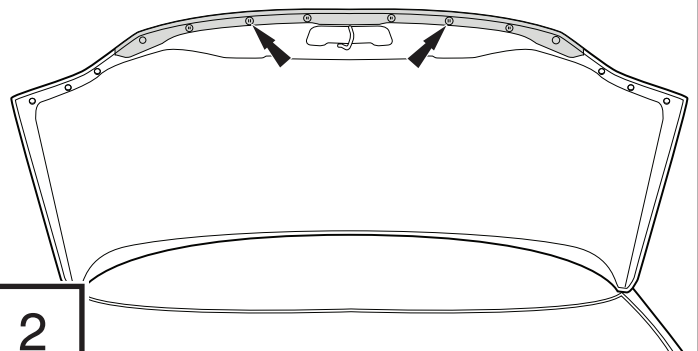
### Installation Steps **NOTE:** Actual application may vary slightly from illustrations.

Open Hood.



1

Remove (2) weatherstrip retainers.



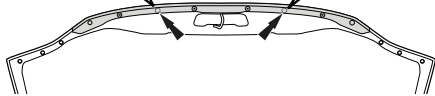
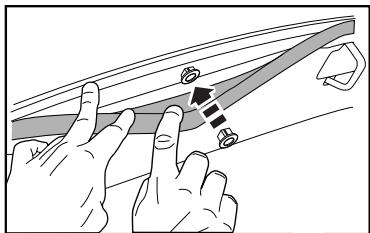
2

# Installation Steps

**NOTE:** Actual application may vary slightly from illustrations.

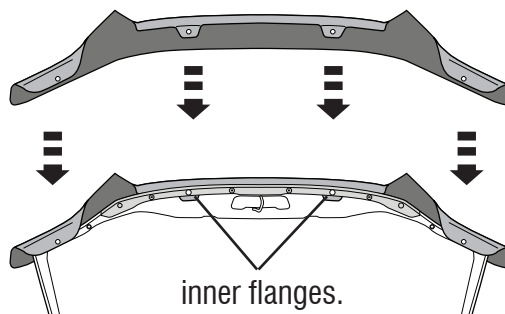


Install (2) hood inserts in hood, **UNDER-NEATH** the weatherstrip.



3

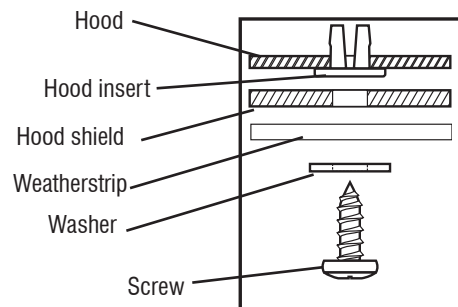
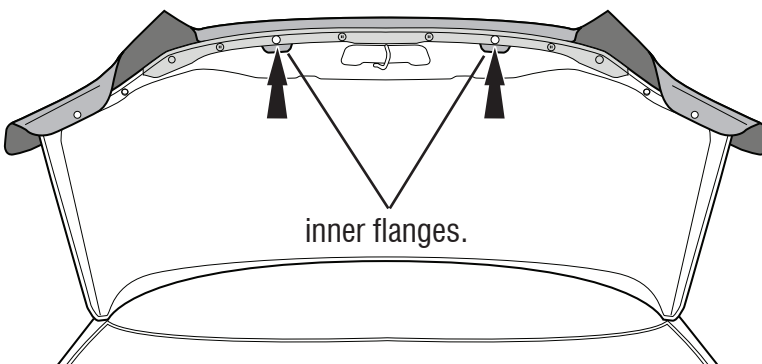
Center part on front edge of hood and align holes. **NOTE:** Inner flanges should be **UNDER** weatherstrip.



4



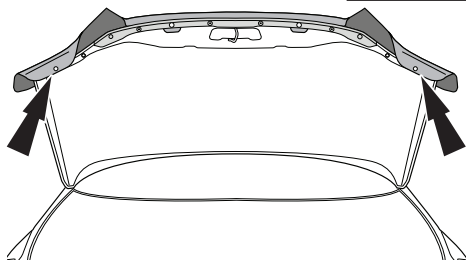
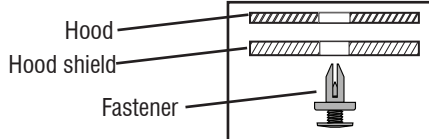
Install (2) screws with washers on the inner flanges.



5



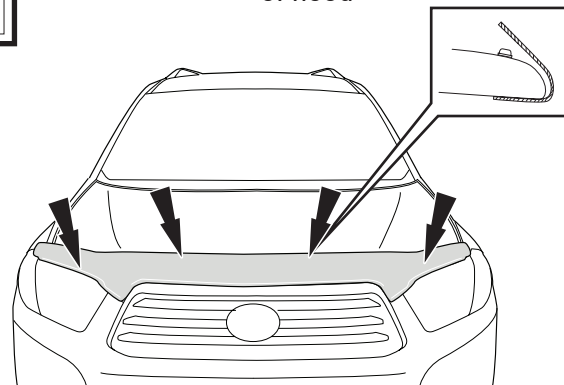
Install (2) fasteners on the outer flanges.



6



Close hood. Apply bump ons to surface of hood



7

## Care and Cleaning

- Wash only with mild soap & dry with a clean cloth.

## Congratulations!

You have purchased one of the many quality Auto Ventshade™ branded products offered by Lund International, Inc. We take the utmost pride in our products and want you to enjoy years of satisfaction from your investment. We have made every effort to ensure that your product is top quality in terms of fit, durability, finish and ease of installation.



When it comes to quality stone and bug deflectors, AVS is the brand you can depend on.