

Installation Instructions



Bugflector® - Bugflector II® - Carflector®

Important Safety Information

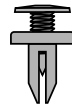


- CAUTION - Before driving, ensure that the hood shield is properly secured to vehicle.
- Do not use automatic "brush-style" car washes.
- Do not use cleaning solvents of any kind.
- Periodically check all components for tightness.

Contents **NOTE:** Actual product may vary from illustration.



Hood shield



Fasteners
(98059)
x 4



Fasteners
(98042)
x 2

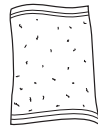


Bump ons
x 4

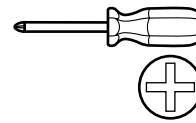
Tools Required



Car Wash Supplies



Clean Towel



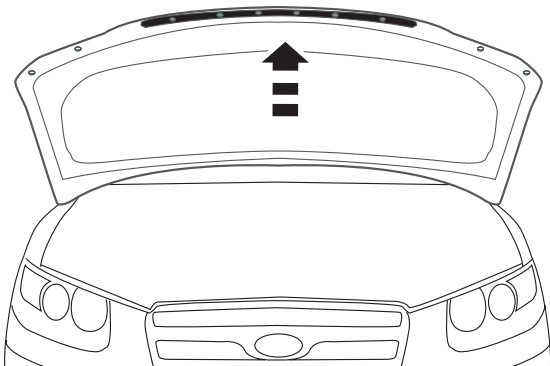
Phillips
screwdriver

Preparation Before Painting / Installation

- A trial fit is recommended to ensure proper positioning and fit.
- Check fit of parts before painting as we will not accept the return of modified or painted parts.
- Wash and dry your vehicle to remove any debris and/or dirt from the installation area.

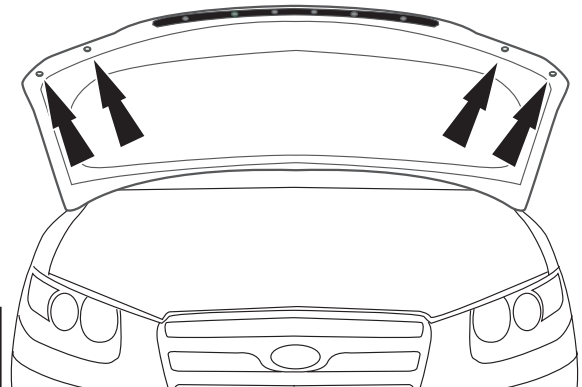
Installation Steps **NOTE:** Actual application may vary slightly from illustrations.

Raise hood.



1

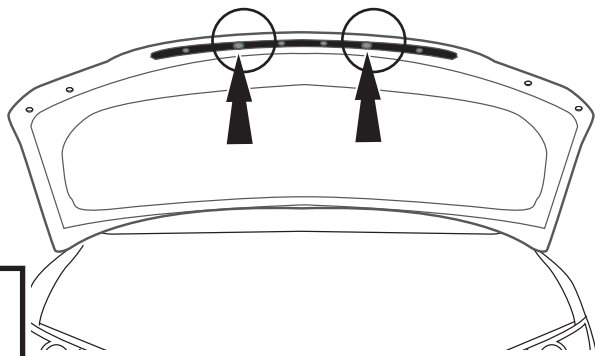
Locate (4) circular holes on the underside of hood. Clean the area around these with a soft cloth.



2

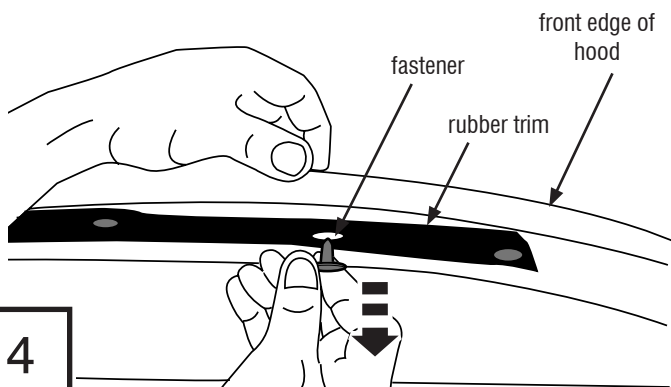
Installation Steps **NOTE:** Actual application may vary slightly from illustrations.

Locate (2) fasteners installed in the middle of the rubber trim on the front edge of the underside of the hood.



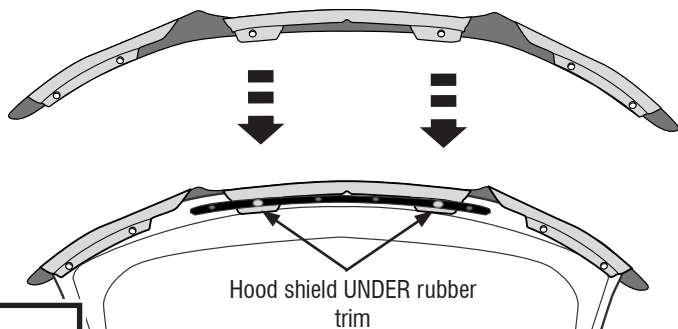
3

Remove (2) middle fasteners from the rubber trim piece on the front edge underside of hood.



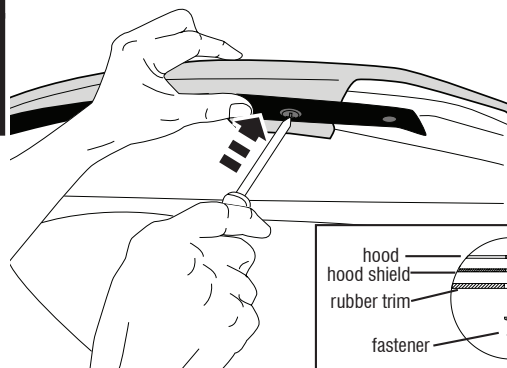
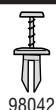
4

Align hood shield with holes in hood. Hood shield slides **UNDER** the rubber trim piece.



5

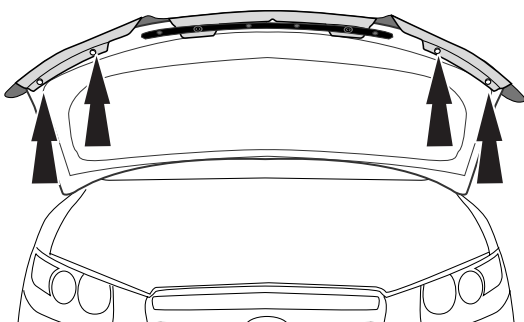
Insert (2) fasteners through holes in rubber trim, then through hood shield, and into hood. Tighten fasteners. **DO NOT OVERTIGHTEN.**



6



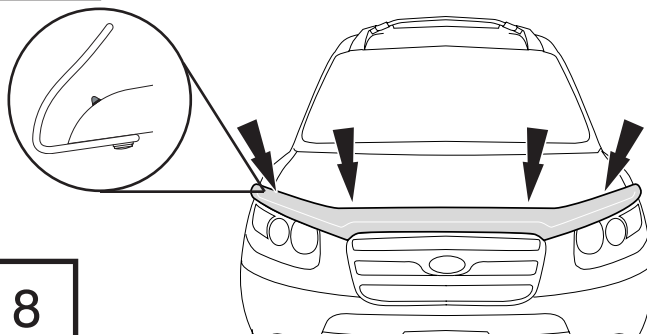
Install (4) remaining fasteners. **DO NOT OVERTIGHTEN.**



7



Close hood. Install (4) bump ons on pre-cleaned areas of hood surface.



8

Care and Cleaning

- Wash only with mild soap & dry with a clean cloth.

Congratulations!

You have purchased one of the many quality Auto Ventshade™ branded products offered by Lund International, Inc. We take the utmost pride in our products and want you to enjoy years of satisfaction from your investment. We have made every effort to ensure that your product is top quality in terms of fit, durability, finish and ease of installation.

