

Installation Instructions



Bugflector[®] - Bugflector II[®] - Carflector[®] - Chrome Hood Shield[™]

Important Safety Information



- CAUTION - Before driving, ensure that the hood shield is properly secured to vehicle.
- Do not use automatic "brush-style" car washes.
- Do not use cleaning solvents of any kind.
- Periodically check all components for tightness.

Contents **NOTE:** Actual product may vary from illustration.



Hood shield



Bump On
x4



Screw
x3



Washer
x3



Well Nut
x3



Washer
x2

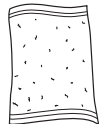


Self tapping
screw x2

Tools Required



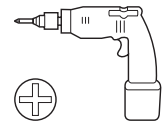
Car Wash Supplies



Clean Towel



Phillips screwdriver



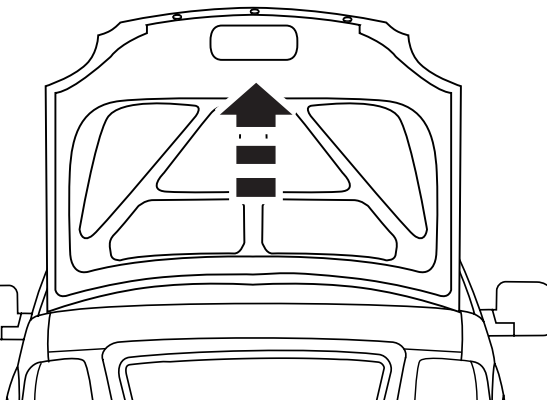
Drill

Preparation Before Painting / Installation

- A trial fit is recommended to ensure proper positioning and fit.
- Check fit of parts before painting as we will not accept the return of modified or painted parts.
- Wash and dry your vehicle to remove any debris and/or dirt from the installation area.

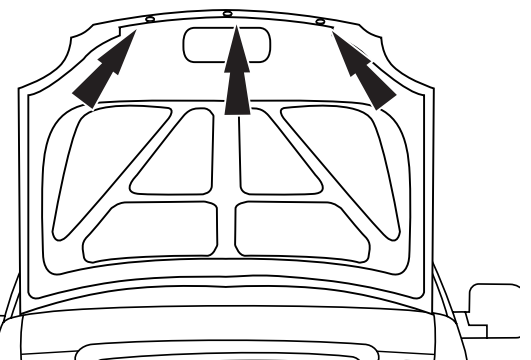
Installation Steps **NOTE:** Actual application may vary slightly from illustrations.

Open hood.



1

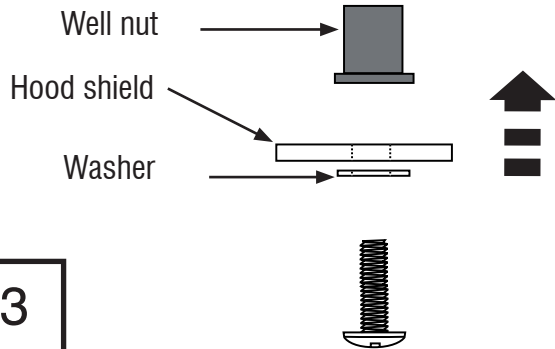
Locate (3) circular holes on the underside of hood. Clean the area around these with a soft cloth.



2

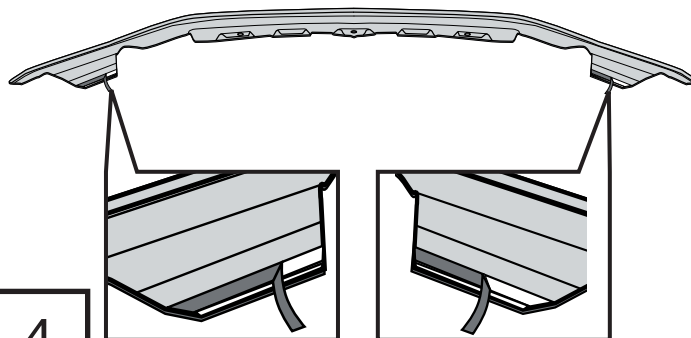
Installation Steps **NOTE:** Actual application may vary slightly from illustrations.

Attach fasteners to hoodshield by inserting screw through washer, then through hood shield, and into well nut. **Partially** thread screw into well nut.



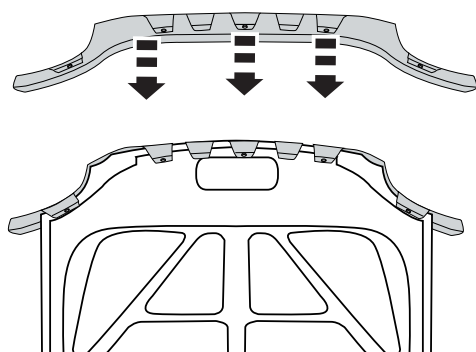
3

Peel back 2" (5 cm) of tape liner on outboard flanges to expose adhesive. Fold free ends over so they will be accessible.

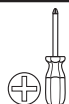


4

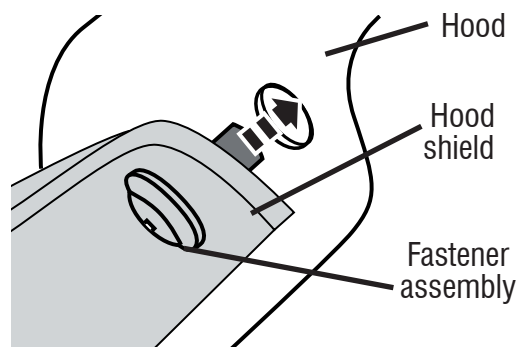
Align hood shield with holes in hood.



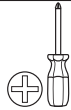
5



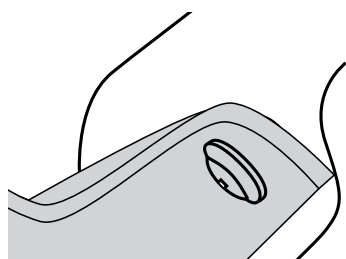
NOTE: Observe the alignment from the side view in order to guide the hood shield with its attached fastener into the proper hole in the hood.



6



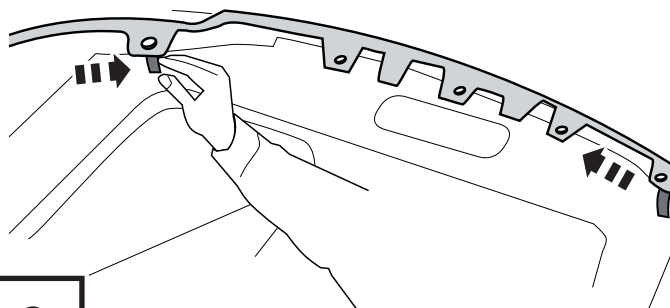
With the fastener assembly inserted into hole in hood, secure hood shield to hood by tightening screw to expand well nut. Repeat for remaining fasteners.



7

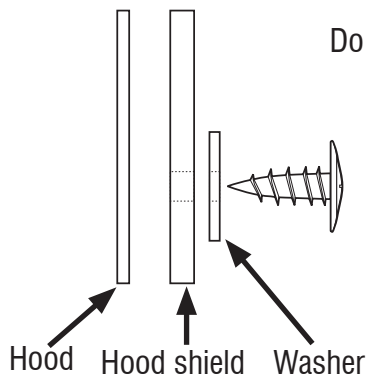
NOTE: DO NOT OVER TIGHTEN

Remove remaining tape liner by pulling on free ends, and apply pressure to adhere tape.



8

Optional Screw Attachment



Do No Overtighten

9



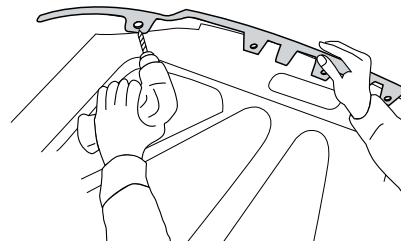
Use holes in hood shield as a guide and install (2) self tapping screws with washers in outboard flanges.



A power screwdriver is recommended but once the screw penetrates the inside metal panel use a regular phillips screwdriver the remainder of the way.

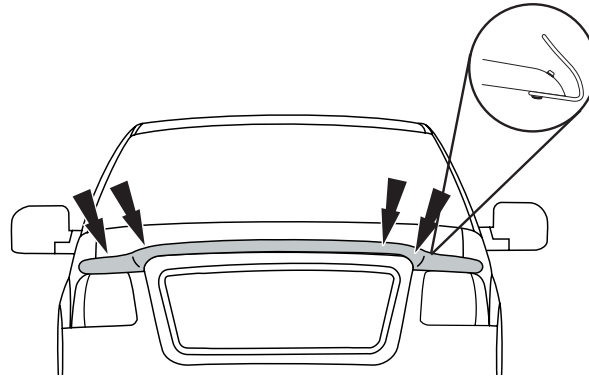


10





Lower hood and apply (4) bump on's to hood surface.



11

Care and Cleaning

- Wash only with mild soap & dry with a clean cloth.

Congratulations!

You have purchased one of the many quality Auto Ventshade™ branded products offered by Lund International, Inc. We take the utmost pride in our products and want you to enjoy years of satisfaction from your investment. We have made every effort to ensure that your product is top quality in terms of fit, durability, finish and ease of installation.



Check out the collection of stone and bug deflectors we offer.