

Installation Instructions



Bugflector® - Bugflector II® - Carflector™

Important Safety Information

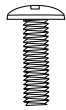


- CAUTION - Before driving, ensure that the hood shield is properly anchored to vehicle.
- Do not use automatic "brush-style" car washes.
- Do not use cleaning solvents of any kind.
- Periodically check all components for tightness.

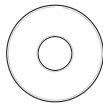
Contents **NOTE:** Actual product may vary from illustration.



Hood shield



Screw x4



Washer x4



Well Nut x4



Bump On x4

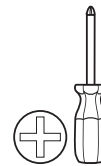
Tools Required



Car Wash Supplies



Clean Towel



Phillips head screwdriver

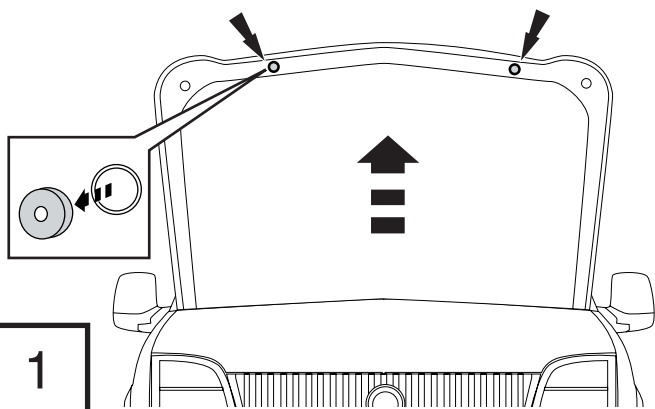
Preparation Before Painting / Installation

- A trial fit is recommended to ensure proper positioning and fit.
- Check fit of parts before painting as we will not accept the return of modified or painted parts.
- Wash your vehicle's hood to remove any debris and/or dirt.
- Dry the hood with a clean towel.

Installation Steps

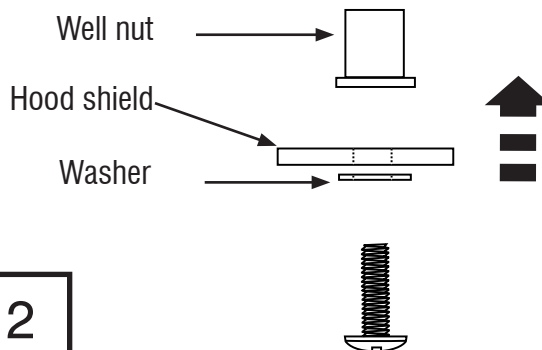
NOTE: Actual application may vary slightly from illustrations.

Open Hood. Remove (2) bumpers before installation.



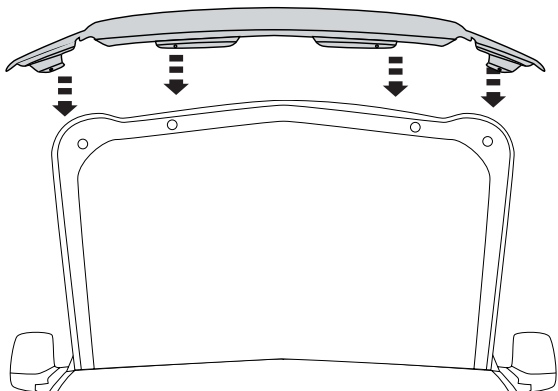
1

Assemble fasteners by inserting screw through hood shield and into well nut. Hand tighten.

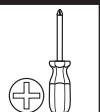


2

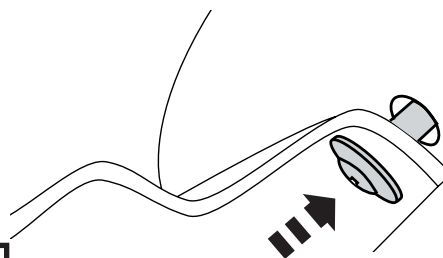
Center part on front edge of hood and align holes



3



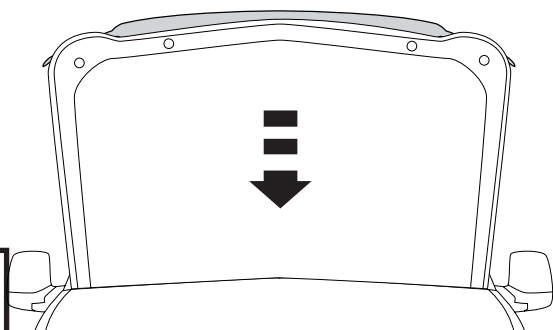
With well nut inserted into hole in hood, secure hood shield to hood by tightening screw to expand well nut. Repeat for remaining fasteners.



4

NOTE: DO NOT OVER TIGHTEN

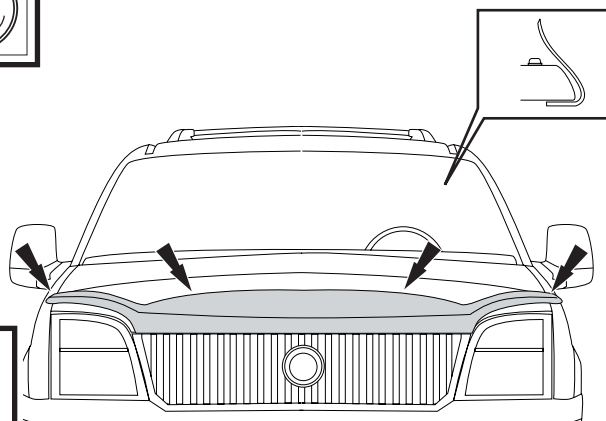
Close Hood.



5



Apply bump ons to surface of hood.



6

Care and Cleaning

- Wash only with mild soap & dry with a clean cloth.

Congratulations!

You have purchased one of the many quality Auto Ventshade™ branded products offered by Lund International, Inc. We take the utmost pride in our products and want you to enjoy years of satisfaction from your investment. We have made every effort to ensure that your product is top quality in terms of fit, durability, finish and ease of installation.