

Installation Instructions



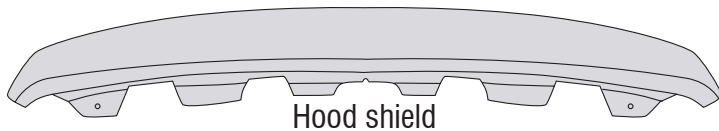
Bugflector® - Bugflector II® - Carflector®

Important Safety Information



- CAUTION - Before driving, ensure that the hood shield is properly anchored to vehicle.
- Do not use automatic "brush-style" car washes.
- Do not use cleaning solvents of any kind.
- Periodically check all components for tightness.

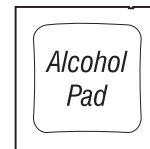
Contents **NOTE:** Actual product may vary from illustration.



Hood shield



Bump On x4



Alcohol Pad x2

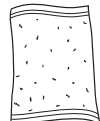


Self tapping screw x2

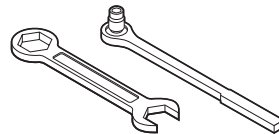
Tools Required



Car Wash Supplies



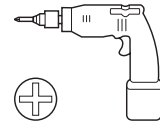
Clean Towel



Appropriate hand tools for removal of grill attached to hood.



10mm



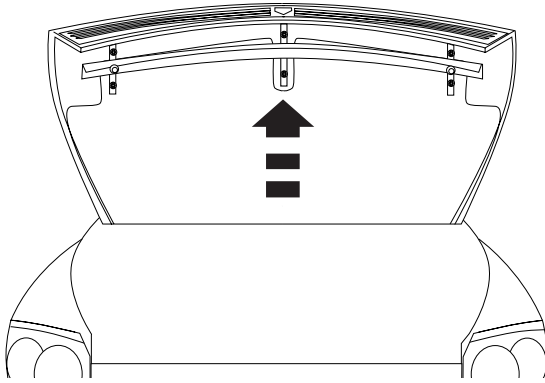
Preparation Before Painting / Installation

- A trial fit is recommended to ensure proper positioning and fit.
- Check fit of parts before painting as we will not accept the return of modified or painted parts.
- Wash your vehicle's hood to remove any debris and/or dirt.
- Dry the hood with a clean towel.

Installation Steps

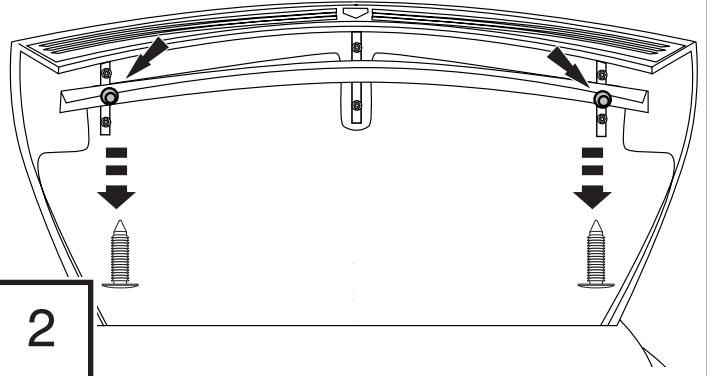
NOTE: Actual application may vary slightly from illustrations.

Open Hood.



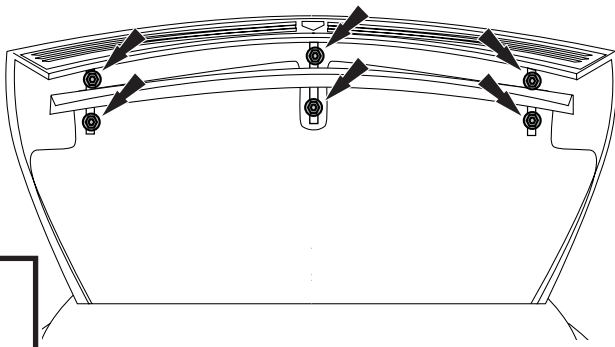
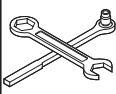
1

Remove (2) christmas tree fasteners from rubber trim.



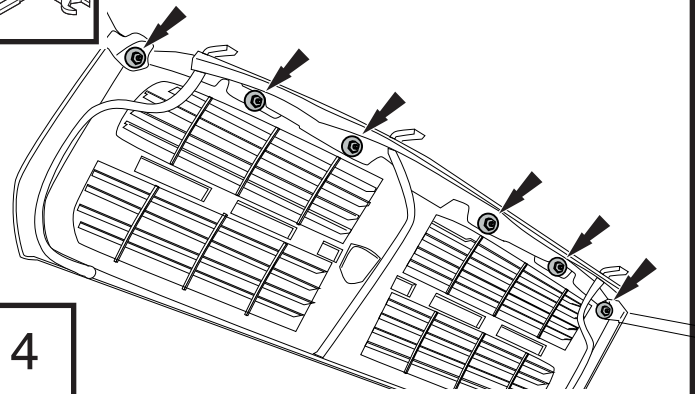
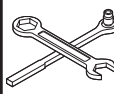
2

Remove (6) screws from supports with 10mm socket.



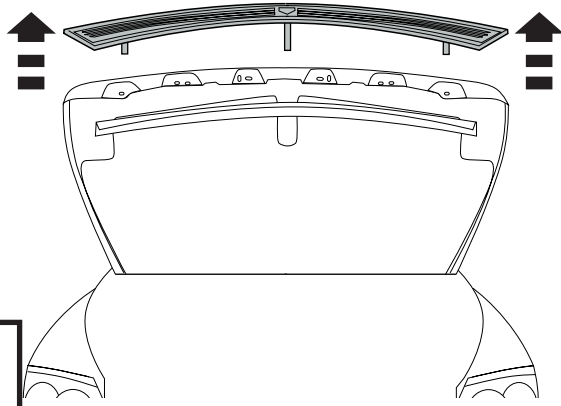
3

Remove (6) retaining nuts from upper backside of grille.



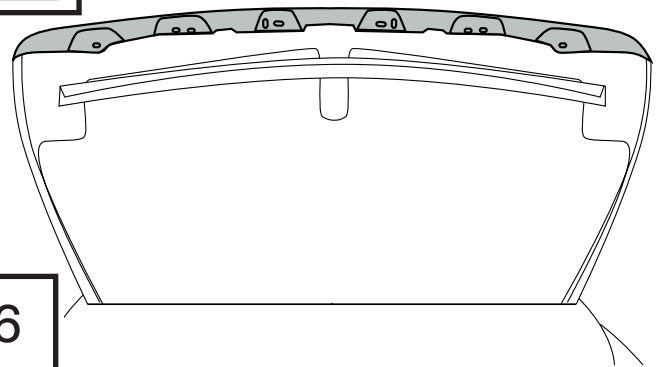
4

Carefully remove grille from hood and set aside.



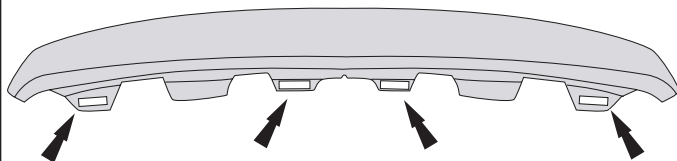
5

Clean leading edge of hood with alcohol pad.



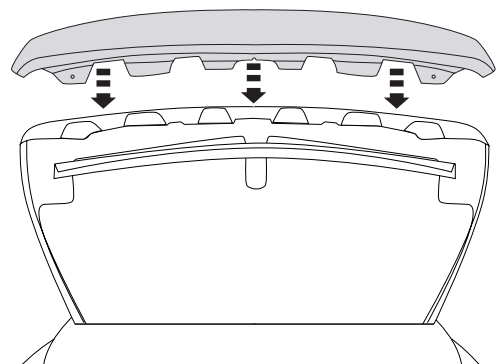
6

Remove tape liner from hood shield.



7

Center part on front edge of hood and secure using exposed tape.

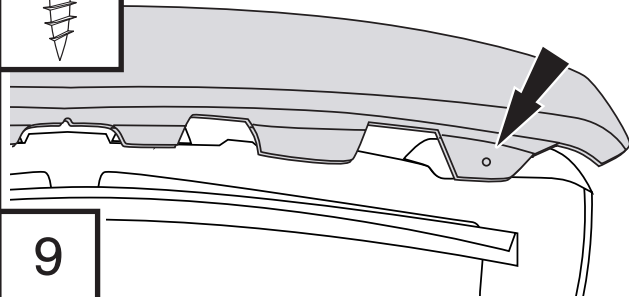


8

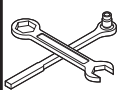
Installation Steps **NOTE:** Actual application may vary slightly from illustrations.



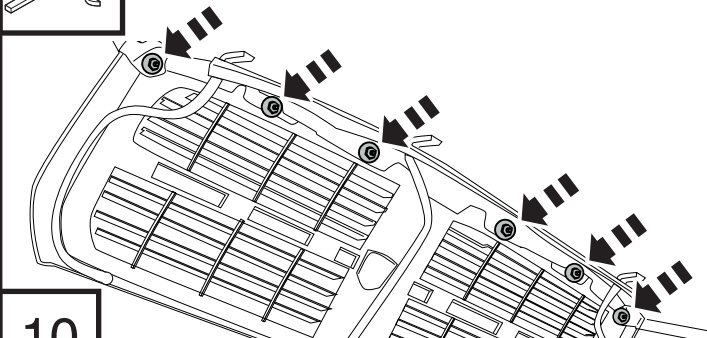
Drill (2) self tapping screws through hood shield into sheet metal.



9

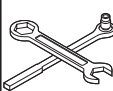


Replace grille by reinstalling (6) retaining nuts on upper backside of grille.

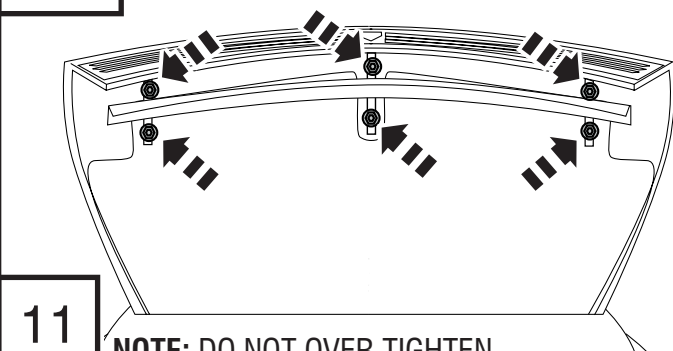


10

NOTE: DO NOT OVER TIGHTEN



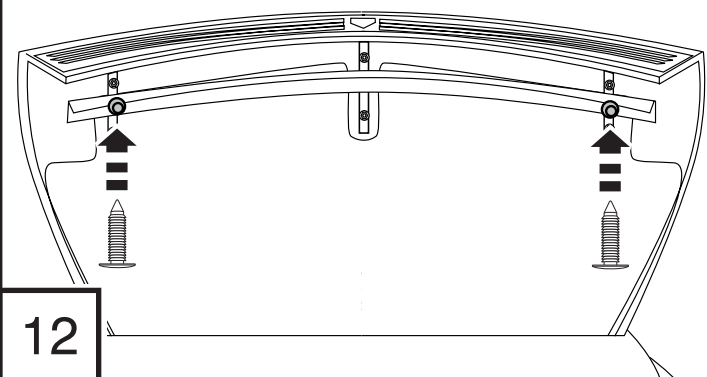
Reinstall (6) screws through supports with 10mm socket.



11

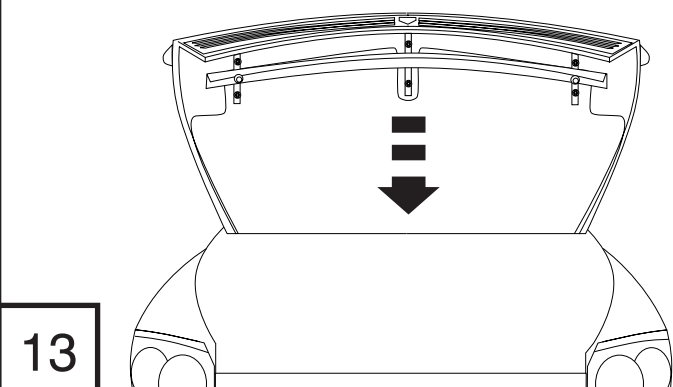
NOTE: DO NOT OVER TIGHTEN

Reinstall (2) christmas tree fasteners through rubber trim.



12

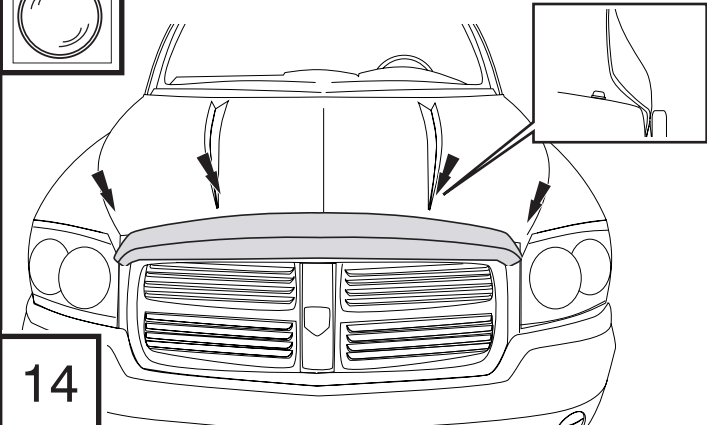
Close hood.



13



Apply bump ons to surface of hood.



14

Care and Cleaning

- Wash only with mild soap & dry with a clean cloth.

Congratulations!

You have purchased one of the many quality Auto Ventshade™ branded products offered by Lund International, Inc. We take the utmost pride in our products and want you to enjoy years of satisfaction from your investment. We have made every effort to ensure that your product is top quality in terms of fit, durability, finish and ease of installation.