

Installation Instructions

Hood Shield

Important Safety Information



- CAUTION - Before driving, ensure that the hood shield is properly secured to vehicle.
- Do not use automatic "brush-style" car washes.
- Do not use cleaning solvents of any kind.
- Periodically check all components for tightness.

Contents **NOTE:** Actual product may vary from illustration.



Hood Shield



Bump On x4



Alcohol Pad x4

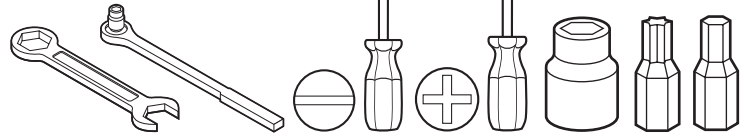
Tools Required



Car Wash Supplies



Clean Towel

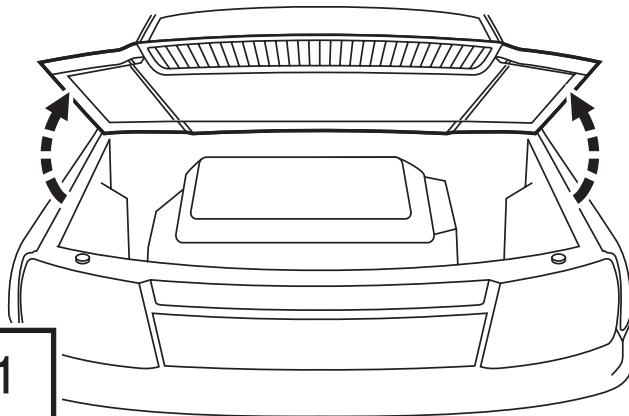


Appropriate hand tools for removal of grill attached to hood.

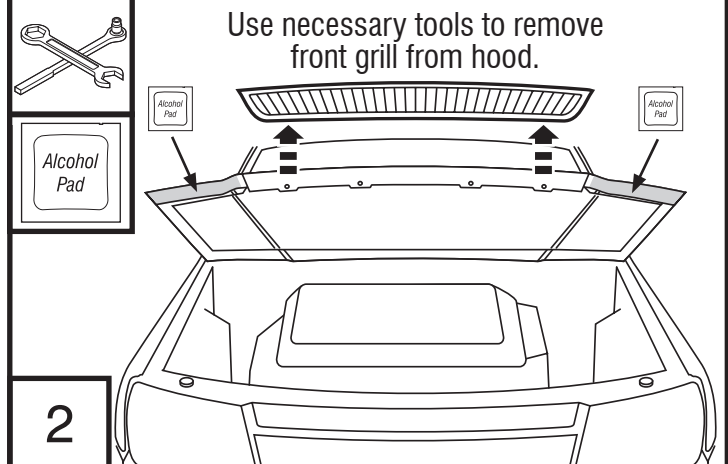
Preparation Before Painting / Installation

- A trial fit is recommended to ensure proper positioning and fit.
- Check fit of parts before painting as we will not accept the return of modified or painted parts.
- Wash and dry your vehicle to remove any debris and/or dirt from the installation area.

Installation Steps **NOTE:** Actual application may vary slightly from illustrations.



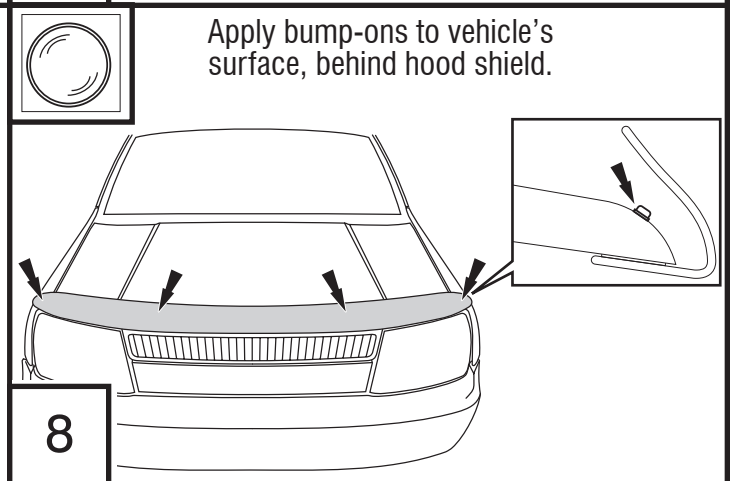
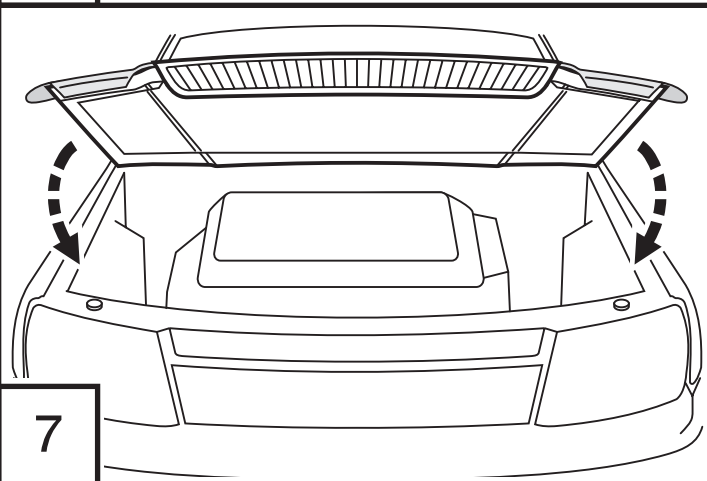
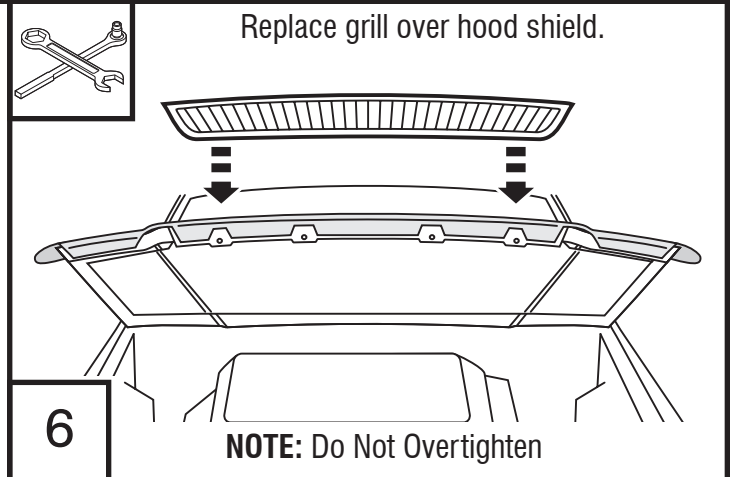
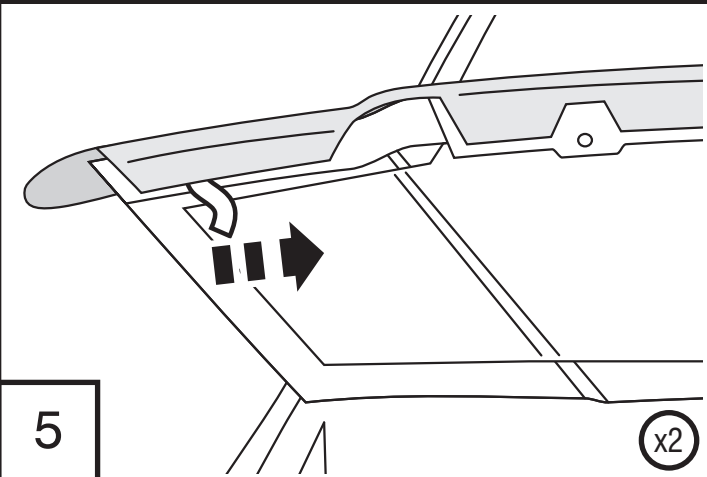
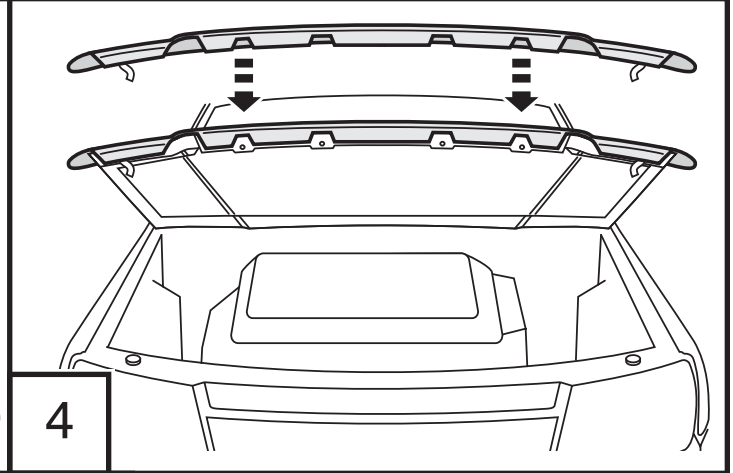
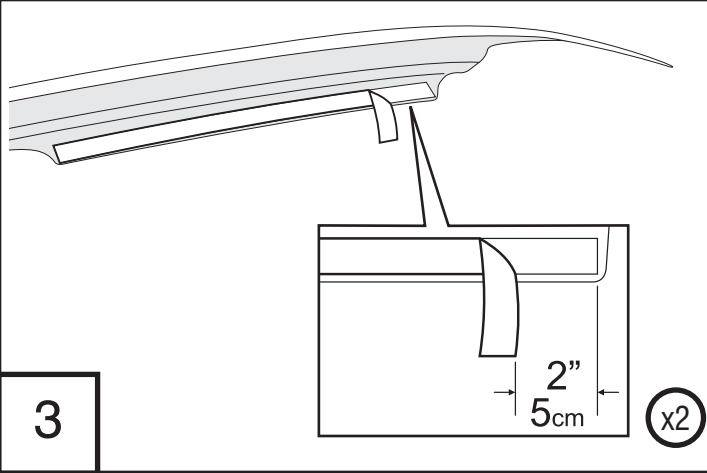
1



2

Installation Steps

NOTE: Actual application may vary slightly from illustrations.



Care and Cleaning

- Wash only with mild soap & dry with a clean cloth.