

# Installation Instructions



## Bugflector® - Bugflector II® - Carflector® - Chrome Hood Shield™

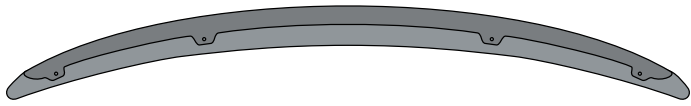
### Important Safety Information



- CAUTION - Before driving, ensure that the hood shield is properly secured to vehicle.
- Do not use automatic "brush-style" car washes.
- Do not use cleaning solvents of any kind.
- Periodically check all components for tightness.

### Contents

**NOTE:** Actual product may vary from illustration.



Hood shield



Bump On x4



Screw x2



Washer x2

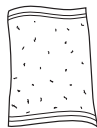


Alcohol Pad x2

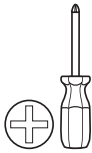
### Tools Required



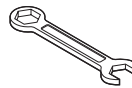
Car Wash Supplies



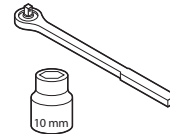
Clean Towel



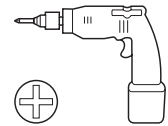
Phillips Screwdriver



Wrench



Socket wrench



Power screwdriver

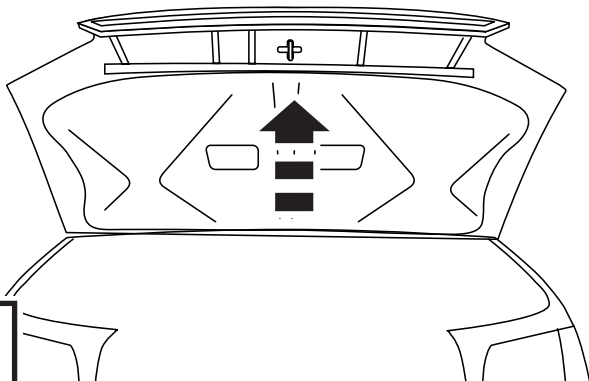
### Preparation Before Painting / Installation

- A trial fit is recommended to ensure proper positioning and fit.
- Check fit of parts before painting as we will not accept the return of modified or painted parts.
- Wash and dry your vehicle to remove any debris and/or dirt from the installation area.

### Installation Steps

**NOTE:** Actual application may vary slightly from illustrations.

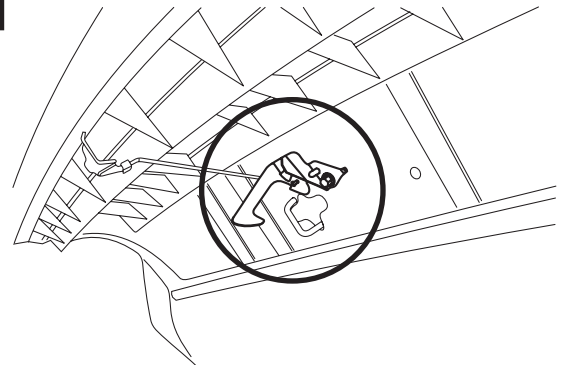
Open hood and locate the hood latch behind the grill.



1



Carefully disconnect latch from hood by removing (1) screw with a wrench.



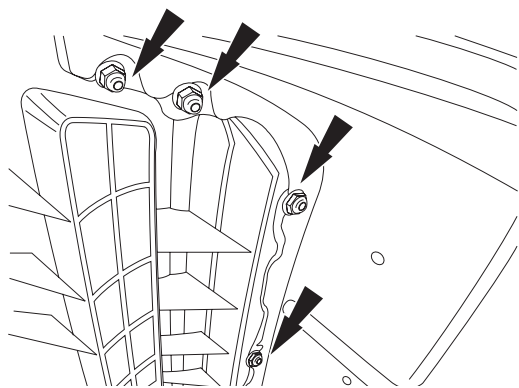
2

# Installation Steps

**NOTE:** Actual application may vary slightly from illustrations.

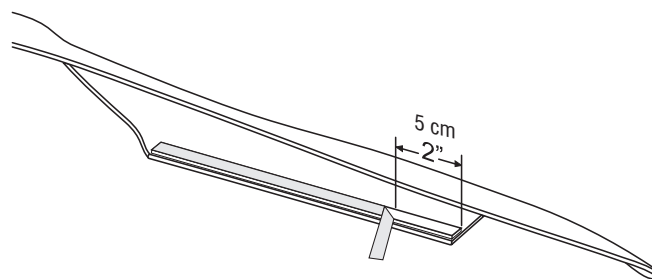


Remove (6) nuts that secure grill to hood. Carefully remove grill from hood and set aside.



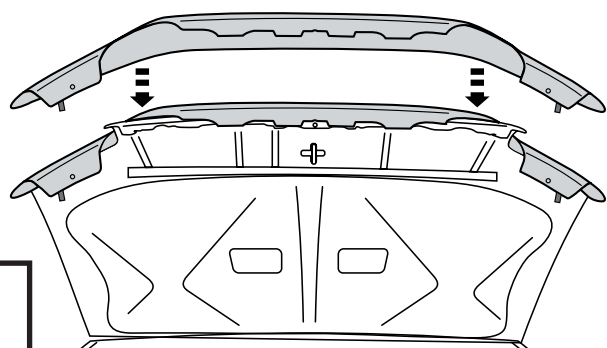
3

Peel back 2" (5 cm) of tape liner from each end of hood shield.



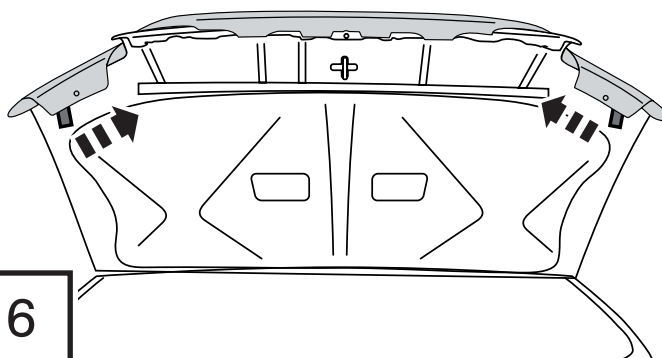
4

Center hood shield on hood. Press firmly to adhere previously exposed tape to underside of hood.



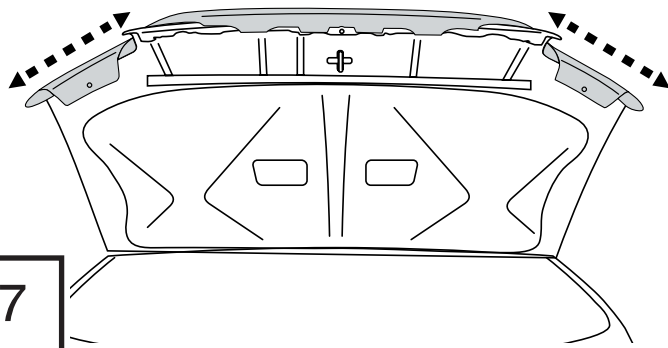
5

With the hood shield in its final position, remove remaining tape liner.



6

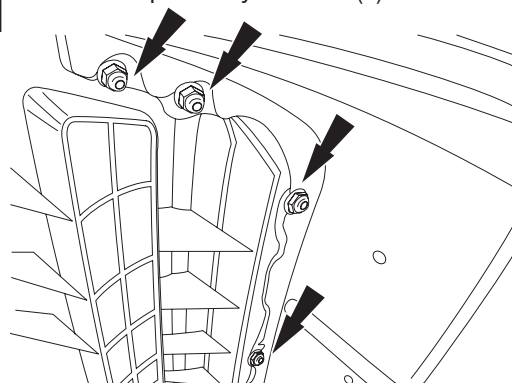
Press firmly along tape flanges to ensure tape had adhered properly to underside of hood.



7



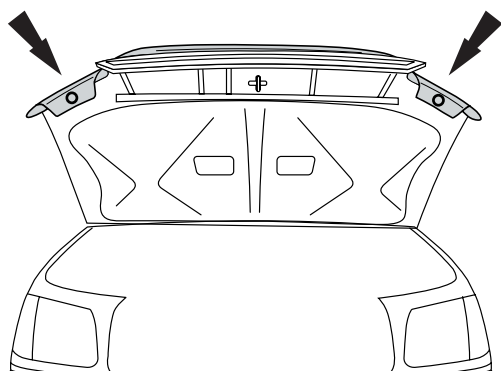
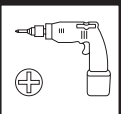
Make sure that the front flange of the hood shield is hanging over the grill opening and reattach grill using previously removed (6) nuts.



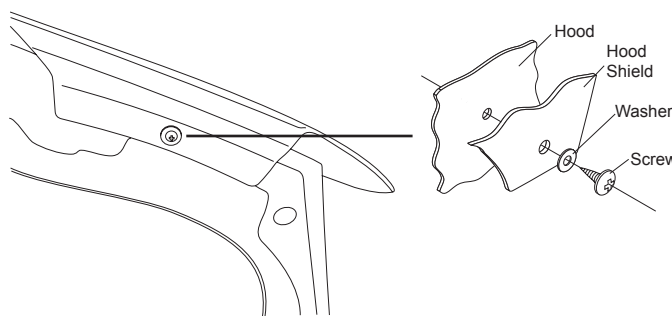
8

## Optional screw attachment

Screw the self-tapping screw with washer through the predrilled holes in hood shield and into hood. A power screwdriver is recommended, but once the screwdriver penetrates the inside metal panel use a regular phillips screwdriver the remainder of the way.



9



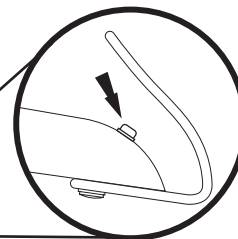
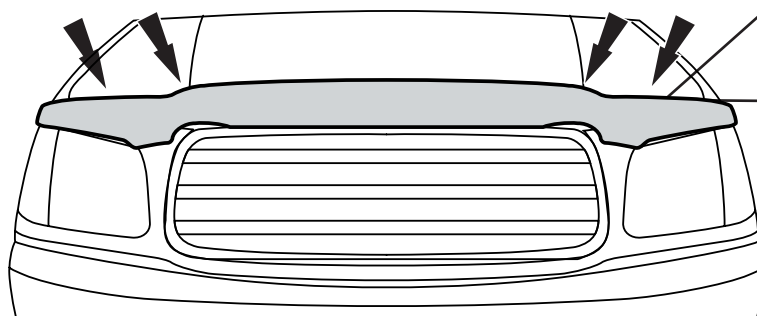
**DO NOT OVER TIGHTEN**

## Installation Steps

**NOTE:** Actual application may vary slightly from illustrations.



Install bump ons at pre-cleaned locations on hood surface.



10

## Care and Cleaning

- Wash only with mild soap & dry with a clean cloth.

## Congratulations!

You have purchased one of the many quality Auto Ventshade™ branded products offered by Lund International, Inc. We take the utmost pride in our products and want you to enjoy years of satisfaction from your investment. We have made every effort to ensure that your product is top quality in terms of fit, durability, finish and ease of installation.



Check out the collection of stone and bug deflectors we offer.