

Installation Instructions



Bugflector® - Bugflector II® - Carflector®

Important Safety Information



- CAUTION - Before driving, ensure that the hood shield is properly anchored to vehicle.
- Do not use automatic "brush-style" car washes.
- Do not use cleaning solvents of any kind.
- Periodically check all components for tightness.

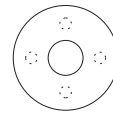
Contents **NOTE:** Actual product may vary from illustration.



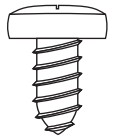
Hood Shield



Bump On x4



Plastic Washer x4



Screw x4

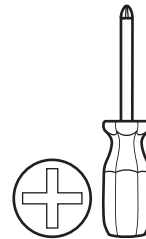
Tools Required



Car Wash Supplies



Clean Towel



Appropriate hand tools

Preparation Before Painting / Installation

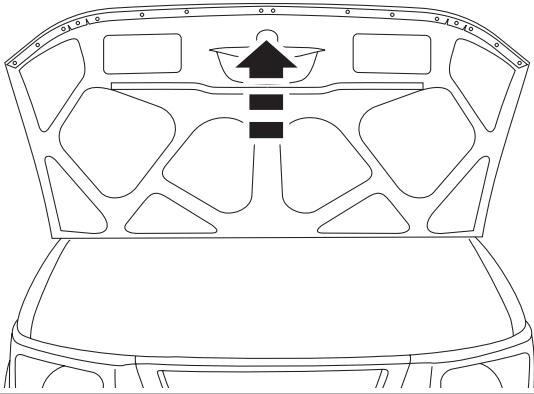
- A trial fit is recommended to ensure proper positioning and fit.
- Check fit of parts before painting as we will not accept the return of modified or painted parts.
- Wash your vehicle's hood to remove any debris and/or dirt.
- Dry the hood with a clean towel.

Installation Steps

NOTE: Actual application may vary slightly from illustrations.

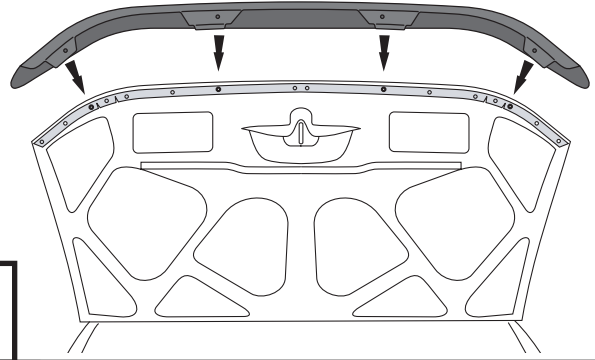
Open Hood.

1



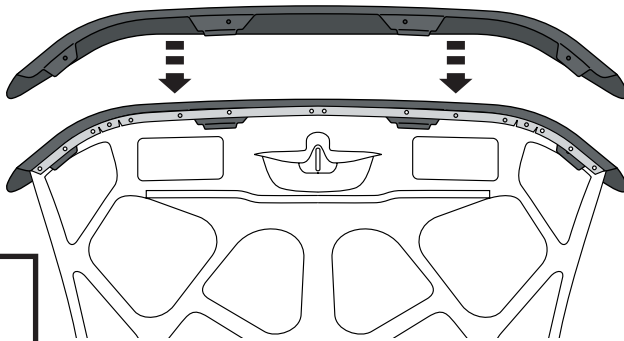
Remove (4) rubber seal retaining fasteners that align with the pre-drilled holes in the hood shield.

2



Reposition the hood shield with the tabs sliding between the hood and rubber seal and align with holes.

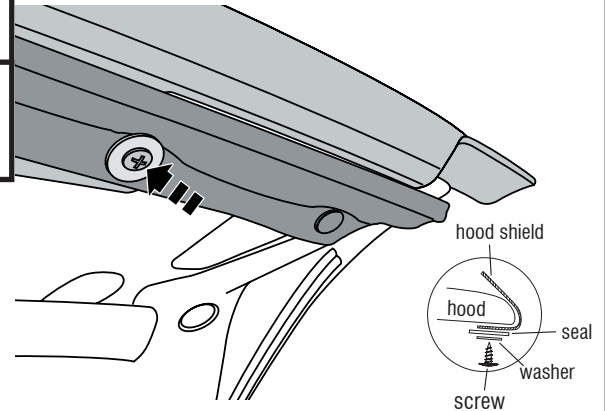
3



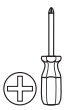
Install (4) screws with washers.



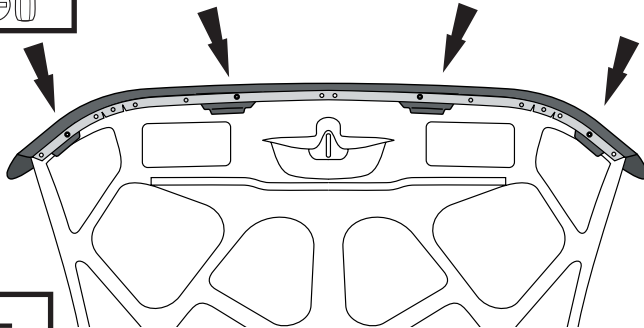
4



Tighten all (4) screws until snug to secure hood shield to hood.



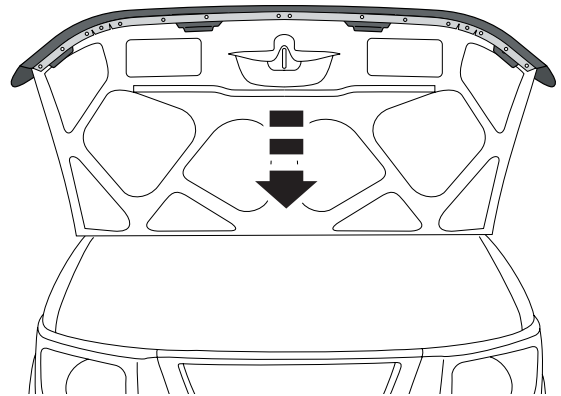
5



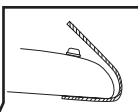
NOTE: DO NOT OVER TIGHTEN

Close Hood.

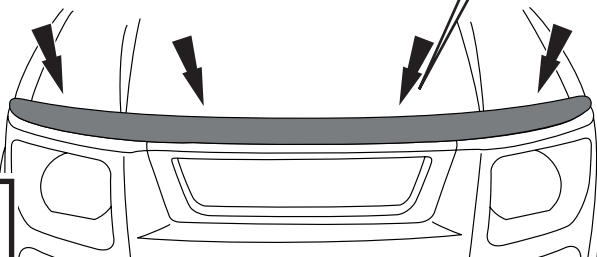
6



Apply bump ons to surface of hood



7



Care and Cleaning

- Wash only with mild soap & dry with a clean cloth.

Congratulations!

You have purchased one of the many quality Auto Ventshade™ branded products offered by Lund International, Inc. We take the utmost pride in our products and want you to enjoy years of satisfaction from your investment. We have made every effort to ensure that your product is top quality in terms of fit, durability, finish and ease of installation.



Check out the collection of stone and bug deflectors we offer.