

Installation Instructions



Bugflector® - Bugflector II® - Carflector®

Important Safety Information



- CAUTION - Before driving, ensure that the hood shield is properly secured to vehicle.
- Do not use automatic "brush-style" car washes.
- Do not use cleaning solvents of any kind.
- Periodically check all components for tightness.

Contents

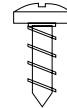
NOTE: Actual product may vary from illustration.



Hood shield



Bump On x4



Screw x2



Washer x2

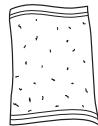


Well Nut x2

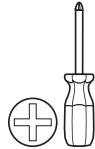
Tools Required



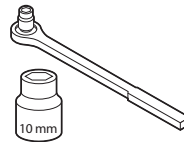
Car Wash Supplies



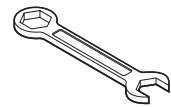
Clean Towel



Phillips Screwdriver



Socket Wrench



Wrench

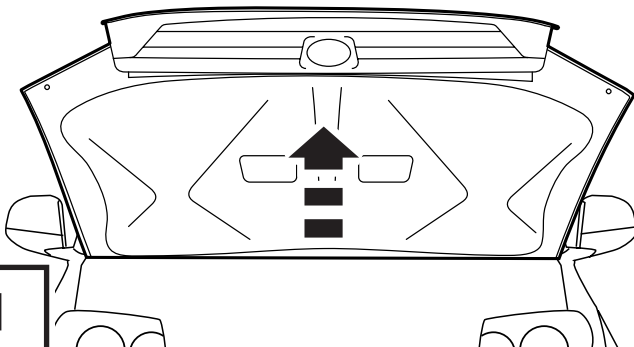
Preparation Before Painting / Installation

- A trial fit is recommended to ensure proper positioning and fit.
- Check fit of parts before painting as we will not accept the return of modified or painted parts.
- Wash and dry your vehicle to remove any debris and/or dirt from the installation area.

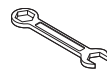
Installation Steps

NOTE: Actual application may vary slightly from illustrations.

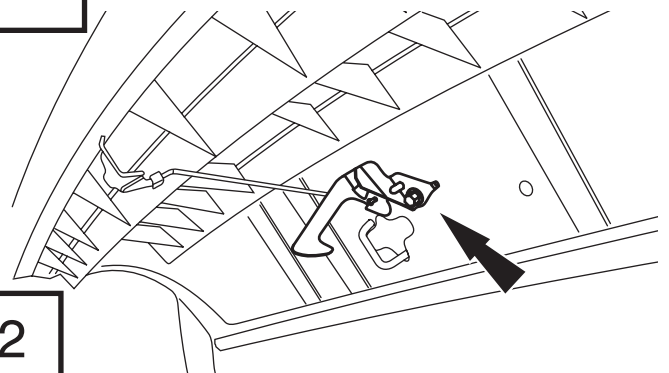
Open hood and locate the hood latch assembly, behind the front grill.



1



Disconnect the latch assembly from the hood by removing (2) screws with wrench.



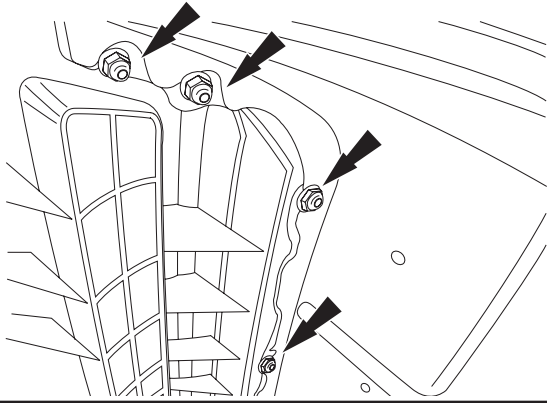
2

Installation Steps

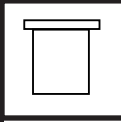
NOTE: Actual application may vary slightly from illustrations.



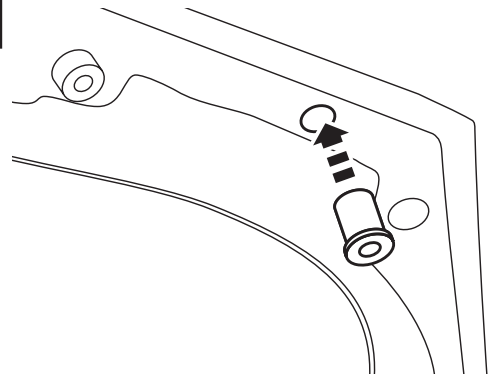
Locate and remove (8) nuts that secure front grill to the hood. Set grill aside.



3

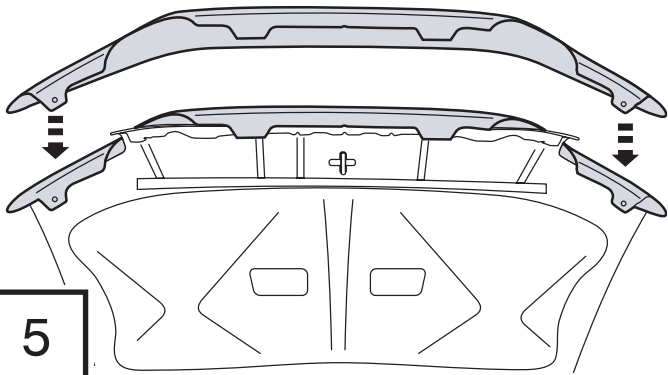


Insert (2) well nuts into the existing holes on each side in the underside of hood.

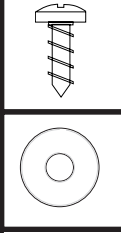


4

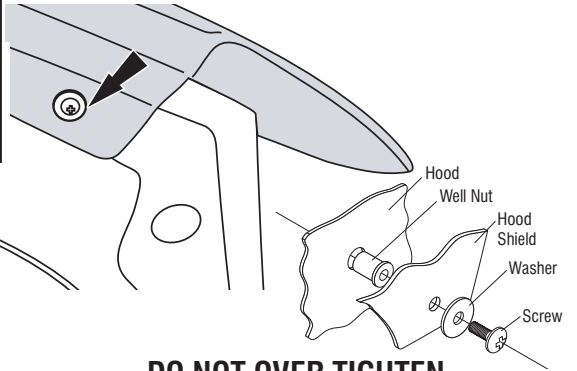
Position hood shield onto hood and align hood shield holes with the well nut.



5



Install (1) washer and (1) screw to secure. Tighten until snug. Repeat for opposite side.

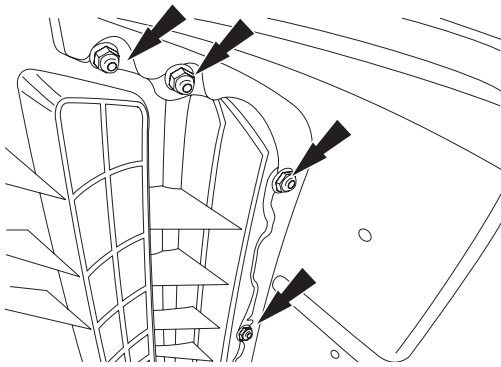


6

DO NOT OVER TIGHTEN



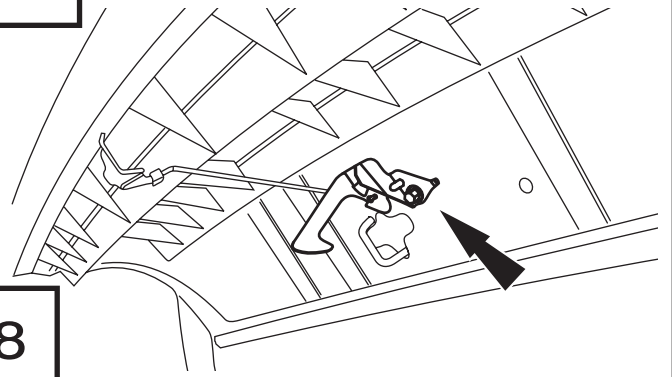
Reattach the front grill by reinstalling the previously removed (8) nuts. Hood shield flange should be between the hood and grill.



7



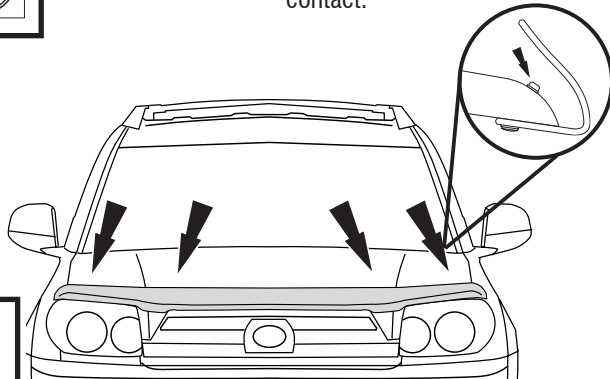
Reattach the hood latch to the underside of the hood by reinstalling the previously removed (2) screws.



8



Install bump ons at pre-cleaned locations on the hood surface where the hood shield may contact.



9

Care and Cleaning

- Wash only with mild soap & dry with a clean cloth.

Congratulations!

You have purchased one of the many quality Auto Ventshade™ branded products offered by Lund International, Inc. We take the utmost pride in our products and want you to enjoy years of satisfaction from your investment. We have made every effort to ensure that your product is top quality in terms of fit, durability, finish and ease of installation.



When it comes to quality stone and bug deflectors, AVS is the brand you can depend on.